



Microwave Oven

User Manual



MGF23330S - MGF23330W

EN - IT - FR



01M-8817843200-2021-01
01M-8817913200-2021-01

CONTENTS

ENGLISH	03-19
ITALIANO	20-37
FRANÇAIS	38-54

Please read this manual first!

Dear Customer,

Thank you for purchasing a Beko product. We hope that you get the best results from your product which has been manufactured with high quality and state-of-the-art technology. Therefore, please read this entire user manual and all other accompanying documents carefully before using the product and keep it as a reference for future use. If you handover the product to someone else, give the user manual as well. Follow all warnings and information in the user manual.

Meanings of the symbols

Following symbols are used in the various section of this user manual:



Important information and useful hints about usage.



Warnings for dangerous situations concerning the safety of life and property.



Warning for hot surfaces.



Warning for electric shock.



This product has been manufactured in environmental friendly modern plants without giving any harm to the nature.

1 Important safety and environmental instructions

Important Safety Instructions Read Carefully And Keep For Future Reference

1.1 Safety warnings

This section contains safety instructions that will help protect from risk of fire, electric shock, exposure to leak microwave energy, personal injury or property damage. Failure to follow these instructions shall void any warranty.

- Beko Microwave Ovens comply with the applicable safety standards; therefore, in case of any damage on the appliance or power cable, it should be repaired or replaced by the dealer, service center or a specialist and authorized service alike to avoid any danger. Faulty or unqualified repair work may be dangerous and cause risk to the user.
- This appliance is intended to be used in household and similar applications such as:
 - Staff kitchen areas in shops, offices and other working environments;
 - Farm houses
 - By clients in hotels, and other residential type environments;
- Bed and Breakfast type environments.
- It is not intended for industrial or laboratory use.
- Do not attempt to start the oven when its door is open; otherwise you may be exposed to harmful microwave energy. Safety locks should not be disabled or tampered with.
- The microwave oven is intended for heating food and beverages. Drying of food or clothing and heating of warming pads, slippers, sponges, damp cloth and similar may lead to risk of injury, ignition or fire.
- Do not place any object between the front side and the door of the oven. Do not allow dirt or cleaning agent remnants to build up on the closure surfaces.
- Any service works involving removal of the cover that provides protection against exposure to microwave energy must be performed by authorized persons/service. Any other approach is dangerous.
- Your product is intended for cooking, heating and defrost food at home. It must not be used for commercial purposes.

1 Important safety and environmental instructions

- Your oven is not designed to dry any living being.
- Do not use your appliance to dry clothes or kitchen towels.
- Do not use this appliance outdoors, bathrooms, humid environments or in places where the it can get wet.
- No responsibility or warranty claim shall be assumed for damages arising from misuse or improper handling of the appliance.
- Never attempt to dismantle the appliance. No warranty claims are accepted for damage caused by improper handling.
- Only use the original parts or parts recommended by the manufacturer.
- Do not leave this appliance unattended while it is in use.
- Always use the appliance on a stable, flat, clean dry, and non-slip surface.
- The appliance should not be operated with an external clock timer or separate remote control system.
- Before using the appliance for the first time, clean all parts. Please see the details given in the “Cleaning and Maintenance” section.
- Operate the appliance for its intended purpose only as described in this manual.
- Appliance becomes very hot while it is in use. Pay attention not to touch the hot parts inside the oven.
- Do not operate the oven empty.
- Cooking utensil may get hot due to the heat transferred from the heated food to the utensil. You may need oven gloves to hold the utensil.
- Utensils shall be checked to ensure that they are suitable for use in microwave ovens.
- Do not place the oven on stoves or other heat generating appliances. Otherwise, it may be damaged and the warranty becomes void.
- Steam may come out while opening the covers or the foil after cooking the food.
- The appliance and its accessible surfaces may be very hot when the appliance is in use.
- Door and outer glass may be very hot when the appliance is in use.
- Make sure that your mains power supply complies with the information supplied on the rating plate of the appliance.

1 Important safety and environmental instructions

- The only way to disconnect the appliance from the power supply is to remove the power plug from the power outlet.
- Use the appliance with a grounded outlet only.
- Never use the appliance if the power cable or the appliance itself is damaged.
- Do not use this appliance with an extension cord.
- Never touch the appliance or its plug with damp or wet hands.
- Place the appliance in a way so that the plug is always accessible.
- Prevent damage to the power cable by not squeezing, bending, or rubbing it on sharp edges. Keep the power cable away from hot surfaces and naked flame.
- Make sure that there is no danger that the power cable could be accidentally pulled or that someone could trip over it when the appliance is in use.
- Unplug the appliance before each cleaning and when the appliance is not in use.
- Do not pull the power cable of the appliance to disconnect it from its power supply and never wrap its power cable around the appliance.
- Do not immerse the appliance, power cable, or power plug in water or any other liquids. Do not hold it under running water.
- When heating food in plastic or paper containers, keep an eye on the oven due to the possibility of ignition.
- Remove the wire strings and/or metal handles of paper or plastic bags before placing bags to the oven.
- If smoke is observed, switch off or unplug the appliance if safe to do so and keep the door closed in order to stifle any flames.
- Do not use microwave oven for storage. Do not leave paper items, cooking material or food inside the oven when it is not being used.
- The contents of feeding bottles and baby food jars should be stirred or shaken and the temperature checked before consumption, in order to avoid burns.

1 Important safety and environmental instructions

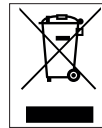
- This appliance is a Group 2 Class B ISM equipment. Group 2 contains all ISM (Industrial, Scientific and Medical) equipment in which radio-frequency energy is intentionally generated and/or used in the form of electromagnetic radiation for the treatment of material, and spark erosion equipment.
 - Class B equipment is suitable for use in domestic establishments and establishments directly connected to a low voltage power supply network.
 - Do not use cooking oil in the oven. Hot oil may damage the components and materials of the oven, and it may even cause skin burns.
 - Pierce food with thick crust such as potatoes, courgettes, apples and chestnuts.
 - Appliance must be placed so that the rear side is facing the wall.
 - Before moving the appliance, please secure the turntable to prevent damage.
 - Eggs in their shell and whole hard-boiled eggs must not be heated in microwave ovens since they may explode, even after microwave heating has ended.
- WARNING:** If the door or door seals are damaged, the oven must not be operated until it has been repaired by a competent person.
- WARNING:** It is hazardous for anyone other than a competent person to carry out any service or repair operation which involves the removal of a cover which gives protection against exposure to microwave energy.
- WARNING:** Liquids and other foods must not be heated in sealed containers since they are liable to explode.
- The oven should be cleaned regularly and any food deposits removed.
 - There should be min 20 cm free space above the top surface of the oven.
 - Do not over-cook foods; otherwise, you may cause a fire.
 - Do not use chemicals and steam assisted cleaners to clean the appliance.
 - Extreme caution is advised when being used near children and persons who are restricted in their physical, sensory or mental abilities.

1 Important safety and environmental instructions

- This appliance can be used by the children who are at the age of 8 or over and by the people who have limited physical, sensory or mental capacity or who do not have knowledge and experience, as long as they are supervised with regard to safe use of the product or they are instructed accordingly or understand the risks of using the product. Children should not play with the appliance. Cleaning and user maintenance procedures should not be performed by children unless they are controlled by their elders.
- **Danger of choking!** Keep all the packaging materials away from children.
- Due to excessive heat that arises in grill and combination modes, children should only be allowed to use these modes under supervision of an adult.
- Keep the product and its power cable so that they are inaccessible by children under 8 years old.
- Do not cook food directly on the glass tray. Put the food in / on appropriate kitchen utensils before placing them in the oven.
- Metallic containers for food and beverages are not allowed during microwave cooking. Otherwise, sparking may occur.
- This product is not designed to be built-in. Do not place the product in a cabinet or box while it is in use.

1.2 Compliance with the WEEE Directive and Disposing of the Waste Product:

This product complies with EU WEEE Directive (2012/19/EU). This product bears a classification symbol for waste electrical and electronic equipment (WEEE).



This symbol indicates that this product shall not be disposed with other household wastes at the end of its service life. Used device must be returned to official collection point for recycling of electrical and electronic devices. To find these collection systems please contact to your local authorities or retailer where the product was purchased. Each household performs important role in recovering and recycling of old appliance. Appropriate disposal of used appliance helps prevent potential negative consequences for the environment and human health.

1.3 Compliance with RoHS Directive

The product you have purchased complies with EU RoHS Directive (2011/65/EU). It does not contain harmful and prohibited materials specified in the Directive.

1 Important safety and environmental instructions

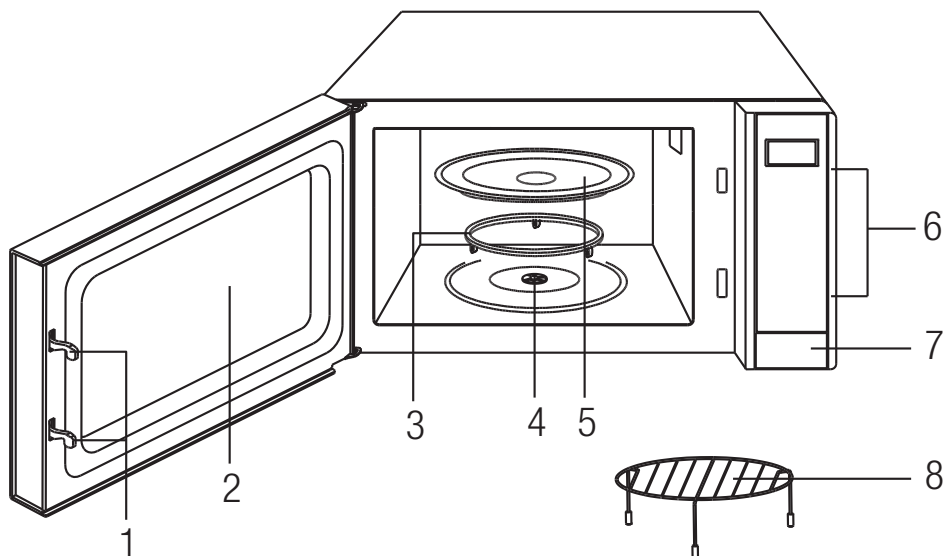
1.4 Package information



Packaging materials of the product are manufactured from recyclable materials in accordance with our National Environment Regulations. Do not dispose of the packaging materials together with the domestic or other wastes. Take them to the packaging material collection points designated by the local authorities.

2 Your microwave oven

2.1 Overview



Controls and parts

1. Door safety lock system
2. Oven window
3. Roller ring
4. Shaft
5. Glass tray
6. Control panel
7. Door release button
8. Metal rack

2.2 Technical data

Power consumption	230-240V~,50Hz 1400W (Microwave) 1000W (Grill)
Output	900 W
Operating frequency	2450 MHz
Outside dimensions (H*W*D)	281*483*360 mm
Oven capacity	23 litres
Net weight	13.5 kg

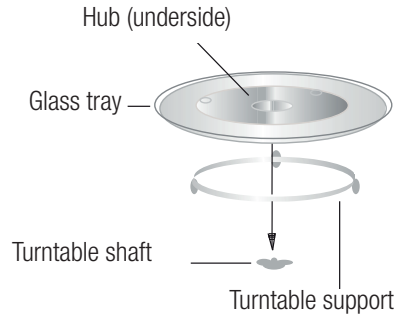
Technical and design modification rights are reserved.

Markings on the product or the values stated in other documents supplied with the product are values obtained under laboratory conditions as per relevant standards. These values may vary according to the usage of the appliance and ambient conditions. Power values are tested at 240V.

2 Your microwave oven

2.3 Installing the turntable

- Never place the glass tray upside down. The glass tray should never be restricted.
- Both glass tray and turntable support must always be used during cooking.
- All food and containers of food must always place on the glass tray for cooking.
- If glass tray or turntable support crack or break, contact your nearest authorized service center.



3 Installation and connection

3.1 Installation

1. Make sure that all the packing materials are removed from the inside of the door.



WARNING: Check the oven for any damage, such as misaligned or bent door, damaged door seals and sealing surface, broken or loose door hinges and latches and dents inside the cavity or on the door. If there is any damage, do not operate the oven and contact qualified service personnel.

2. This microwave oven must be placed on a flat, stable surface to hold its weight and the heaviest food likely to be cooked in the oven.
3. Do not place the oven where heat, moisture, or high humidity are generated, or near combustible materials.
4. For correct operation, the oven must have sufficient airflow. Allow minimum 20cm of free space necessary above the top surface of the oven and 5cm at both sides. The microwave oven rear plate must be placed close to the wall. Do not cover or block any openings on the appliance. Do not remove feet.

5. Do not operate the oven without glass tray, roller support, and shaft in their proper positions.
6. Make sure that the power supply cord is undamaged and does not run under the oven or over any hot or sharp surface.
7. The socket must be readily accessible so that it can be easily unplugged in an emergency.
8. Do not use the oven outdoors.

3.2 Radio interference

Operation of the microwave oven can cause interference to your radio, TV, or similar equipment. When there is interference, it may be reduced or eliminated by taking the following measures:

1. Clean door and sealing surface of the oven.
2. Reorient the receiving antenna of radio or television.
3. Relocate the microwave oven with respect to the receiver.
4. Move the microwave oven away from the receiver.
5. Plug the microwave oven into a different outlet so that microwave oven and receiver are on different branch circuits.

3 Installation and connection

3.3 Grounding instructions

This appliance must be grounded. This oven is equipped with a cord having a grounding wire with a grounding plug. It must be plugged into a wall receptacle that is properly installed and grounded. In the event of an electrical short circuit, grounding reduces risk of electric shock by providing an escape wire for the electric current. It is recommended that a separate circuit serving only the oven be provided. Using a high voltage is dangerous and may result in a fire or other accident causing oven damage.



WARNING: Improper use of the grounding plug can result in a risk of electric shock.



If you have any questions about the grounding or electrical instructions, consult a qualified electrician or service person.



Neither the manufacturer nor the dealer can accept any liability for damage to the oven or personal injury resulting from failure to observe the electrical connection procedures.

The wires in this cable main are colored in accordance with the following code:

Green and Yellow = EARTH

Blue = NEUTRAL

Brown = LIVE

3.4 Before you call for service

If the oven fails to operate:

1. Check to ensure that the oven is plugged in securely. If it is not, remove the plug from the outlet, wait 10 seconds, and plug it in again securely.

2. Check for a blown circuit fuse or a tripped main circuit breaker. If these seem to be operating properly, test the outlet with another appliance.
3. Check to ensure that the control panel is programmed correctly and the timer is set.
4. Check to ensure that the door is securely closed engaging the door safety lock system. Otherwise, the microwave energy will not flow into the oven.

IF NONE OF THE ABOVE RECTIFIES THE SITUATION, THEN CONTACT A QUALIFIED TECHNICIAN. DO NOT TRY TO ADJUST OR REPAIR THE OVEN YOURSELF.

3.5 Utensils guide

1. Microwave cannot penetrate metal. Only use utensils that are suitable for use in microwave ovens. Metallic containers for food and beverages are not allowed during microwave cooking. This requirement is not applicable if the manufacturer specifies size and shape of metallic containers suitable for microwave cooking.
2. Microwave cannot penetrate metal, so metal utensils or dishes with metallic trim should not be used.
3. Do not use recycled paper products when microwave cooking, as they may contain small metal fragments which may cause sparks and/or fires.
4. Round /oval dishes rather than square/oblong ones are recommend, as food in corners tends to overcook.
5. Narrow strips of aluminum foil may be used to prevent overcooking of exposed areas. But be careful don't use too much and keep a distance of 1 inch (2.54cm) between foil and cavity.

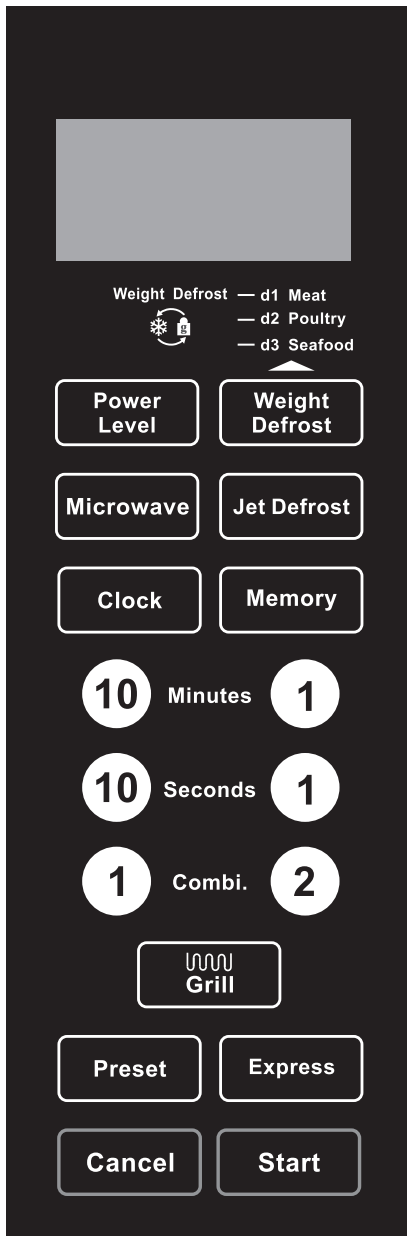
3 Installation and connection

The list below is a general guide to help you select the correct utensils.

Cookware	Microwave	Grill	Combination
Heat-Resistant Glass	Yes	Yes	Yes
Non Heat-Resistant Glass	No	No	No
Heat-Resistant Ceramics	Yes	Yes	Yes
Microwave-Safe Plastic Dish	Yes	No	No
Kitchen Paper	Yes	No	No
Metal Tray	No	Yes	No
Baking plate	No	Yes	No
Aluminum Foil & Foil Container	No	Yes	No

4 Operation

4.1 Control panel



Display screen

Cooking time, power, indicators and present time are displayed.

Number pads (10 minute1, 10 second 1)

Press to set clock, cooking time or enter food weight.

Power level

Press to set microwave cooking power level.

Weight defrost

Press to program defrost program based on weight.

Microwave

Press to set microwave cooking program.

Jet defrost

Press to program defrost program based on time.

Clock

Press to set the oven clock of time.

Memory

Press to set multistage cooking program.

Combi.1/Combi.2

Press to set combination cooking program.

Grill

Press to set grill cooking program.

Preset

Press to set preset function.

Express

Simply press it a number of times to set cooking time and cook immediately at full power level.

Cancel

Clears all previous settings before setting another function.

Press once to temporarily stop cooking or twice to cancel cooking.

Start

Press to start cooking program.

4 Operation

4.2 How to set the oven controls

- When the oven first plugged in, beep will sound and the display will show “1:01” and “🕒”.
- In the process of setting, broke about 20 seconds the oven will return to standby mode.
- During cooking, if press “Cancel” pad once, the program will be paused, then press “Start” pad to resume, but if press “Cancel” pad twice, the program will be canceled.
- After ending cooking, the screen will display End with sound every two minutes until user press any pad or open the door.

4.3 Setting the clock

This is a 12 or 24 hour clock. You can choose to set the clock time in 12 or 24 hour cycle by pressing the “Clock” pad.

1. In standby mode, press “Clock” pad once or twice to choose 12 or 24 hour clock.
2. Use the number pads to set the correct time.
3. Press “Clock” pad to confirm.



During cooking, you can check the current clock time by pressing “Clock” pad.

4.4 Express cooking

1. Use this feature to program the oven to start at 100% power conveniently.
2. In standby mode, press “Express” pad in quick succession to set time (each press for 30 seconds, and up to 10minutes).
3. The oven starts cooking automatically at full power.
4. During cooking, you can add the cooking time by pressing “Express” pad.

4.5 Microwave cooking

1. In standby mode, press “Power Level” pad repeatedly to set cooking power level.
2. Press “Microwave” pad once, and then use the number pads to enter cooking time. The longest time is 99 minutes and 99 seconds.
3. Press “Start” pad to confirm.

Press Power Level pad to set a cooking power level:

Press Power Level	Power Level
Once	100%
Twice	80%
3 times	60%
4 times	40%
5 times	20%
6 times	0%



During cooking, you can check the current power level by pressing “Power Level” pad. If you want to cook at full power level, omit the first step.

4.6 Grill

1. In standby mode, press “Grill” pad once.
2. Use number pads to set cooking time. The longest time is 99 minutes and 99 seconds.
3. Press “Start” pad to confirm.

4.7 Combination

1. In standby mode, press “Combi.1 or Combi.2” pad once.
2. Use number pads to set cooking time. The longest time is 99 minutes and 99 seconds.
3. Press “Start” pad to confirm.

4 Operation

4.8 Jet defrost

1. In standby mode, press “Jet Defrost” pad once.
2. Use the number pads to enter defrosting time.
The longest time is 99 minutes and 99 seconds.
3. Press “Start” pad to confirm.

4.9 Weight defrost

The defrosting time and power level are automatically set once the food category and weight are programmed

1. In standby mode, press “Weight Defrost” repeatedly to select food code.
2. Use the number pads to select food weight.
3. Press “Start” pad to confirm.

Weight defrost code description:

Press Weight Defrost	Display	Food type	Maximum weight
Once	d1	Meat	2300 g
Twice	d2	Poultry	2300 g
3 times	d3	Seafood	900 g

10 Minute=1kg	1 Minute=100 g
10 Second=10 g	1 Second=1 g



During cooking, the system will pause to remind you to turn over the food, and then press “Start” pad to resume. User must enter the correct weight, otherwise the microwave oven will not start.

4.10 Preset

Preset function allows the oven to start up in a later time.

1. Set a cooking program (except jet defrost, express cooking and weight defrost program).
2. Press “Preset” pad once.

3. Use the number pads to enter preset time.
4. Press “Start” pad to start



You can check the preset time during cooking by pressing “Preset” pad once. Time countdown can be seen in display for 5 seconds, and then press “Cancel” pad within 5 seconds to cancel the program.

4.11 Multi-stage cooking

Your oven can be programmed for up to 2 automatic cooking sequences.

Example: Suppose you want to set the following cooking program.

Microwave-cooking



Microwave-cooking (with lower power level)

1. Input the first stage of microwave cooking program. Do not press “Start” pad.
2. Press “Memory” pad once.
3. Input the second stage microwave cooking program.
4. Press “Start” pad to start.



Express cooking, jet defrost and weight defrost cannot be set in a multistage cooking program.

4.12 Child lock

Use to prevent unsupervised operation of the oven by children.

To set the child lock: In standby mode, one minute without any operation the oven will auto enter child lock mode and the lock indicator light will turn on. In the lock state, all pads are disabled.

To cancel the child lock: In child lock mode, open or close the oven door to cancel the program.

4 Operation

4.13 Cooking techniques

- Arrange food carefully. Place thickest areas towards outside of dish.
- Watch cooking time. Cook for the shortest amount of time indicated and add more as needed. Food severely overcooked can smoke or ignite.
- Cover foods while cooking. Covers prevent splattering and help foods to cook evenly.
- Turn foods over once during microwave cooking to speed cooking of such foods as chicken and hamburgers. Large items like roasts must be turned over at least once.
- Rearrange foods such as meatballs halfway through cooking both from top to bottom and from the center of the dish to the outside.

5 Cleaning and maintenance

5.1 Cleaning and care



WARNING: Never use gasoline, solvent, abrasive cleaning agents, metal objects or hard brushes to clean the appliance.



WARNING: Never immerse the appliance or its power cable in water or in any other liquid.

1. Turn off the oven and remove the power plug from the wall socket before cleaning.
2. Keep the inside of the oven clean. When food splatters or spilled liquids adhere to oven walls, wipe with a damp cloth. Mild detergent may be used if the oven gets very dirty. Avoid the use of spray and other harsh cleaners as they may stain, streak or dull the door surface.
3. The outside surfaces should be cleaned with a damp cloth. To prevent damage to the operating parts inside the oven, water should not be allowed to seep into the ventilation openings.
4. Wipe the both sides of the door and window, the door seals and adjacent parts frequently with a damp cloth to remove any spills or splatters. Do not use abrasive cleaner.
5. A steam cleaner is not be used.
6. Do not allow the control panel to become wet. Clean with a soft, damp cloth. When cleaning the control panel, leave oven door open to prevent oven from accidentally turning on.
7. If steam accumulates inside or around the outside of the oven door, wipe with a soft cloth. This may occur when the microwave oven is operated under high humidity condition. And it is normal.
8. It is occasionally necessary to remove the glass tray for cleaning. Wash the tray in warm sudsy water or in a dishwasher.
9. The roller ring and oven floor should be cleaned regularly to avoid excessive noise. Simply wipe the bottom surface of the oven with mild detergent. The roller ring may be washed in mild sudsy water or dishwasher. When removing the roller ring from cavity floor for cleaning, be sure to replace in the proper position.
10. Remove odors from your oven by combining a cup of water with the juice and skin of one lemon in a deep microwaveable bowl, microwave for 5 minutes. Wipe thoroughly and dry with a soft cloth.
11. When it becomes necessary to replace the oven light, please consult a dealer to have it replaced.
12. The oven should be cleaned regularly and any food deposits removed. Failure to maintain the oven in a clean condition could lead to deterioration of the surface that could adversely affect the life of the appliance and possibly result in a hazardous situation.
13. Please do not dispose this appliance into the domestic rubbish bin; it should be disposed to the particular disposal center provided by the municipalities.
14. When the microwave oven with grill function is first used, it may produce slight smoke and smell. This is a normal phenomenon because the oven is made of a steel plate coated with lubricating oil, and the new oven will produce fumes and odor generated by burning the lubricating oil. This phenomenon will disappear after a period of using.

5.2 Storage

- If you do not intend to use the appliance for a long time, please store it carefully.
- Please make sure that the appliance is unplugged, cooled down and totally dry.
- Store the appliance in a cool and dry place.
- Keep the appliance out of the reach of children

5 Cleaning and maintenance

5.3 Handling and transportation

- During handling and transportation, carry the appliance in its original packaging. The packaging of the appliance protects it against physical damages.
- Do not place heavy loads on the appliance or the packaging. The appliance may be damaged.
- Dropping the appliance will render it non-operational or cause permanent damage.

6 Troubleshooting

Problem	Possible Reason	Solution
Oven cannot be started.	1) Power cable is not plugged in properly.	Unplug. Then plug again after 10 seconds.
	2) Fuse is blown or circuit breaker is activated.	Replace fuse or reset circuit breaker (repaired by professional personnel of our company).
	3) Trouble with outlet.	Test the outlet with other electrical appliances.
Oven does not heat.	4) Door is not closed properly.	Close the door properly.
Glass turntable makes noise when microwave oven operates	5) Turntable and bottom of the oven is dirty.	Refer to "Cleaning and Maintenance" section to clean dirty parts.


Leggere per prima cosa questo manuale!


Gentile Cliente,


Grazie per aver scelto un prodotto Beko. Speriamo che Lei riesca ad ottenere i risultati migliori da questo prodotto, realizzato con tecnologia di alta qualità e all'avanguardia. Pertanto, legga questo intero manuale utente e tutti gli altri documenti allegati con attenzione prima di utilizzare il prodotto e lo conservi come riferimento per usi futuri. Se passa il prodotto ad altre persone, dia loro anche questo manuale utente. Segua tutte le avvertenze e le informazioni del manuale utente.

Significato dei simboli

I seguenti simboli sono utilizzati in diverse sezioni del presente manuale utente:

	Informazioni importanti e suggerimenti utili sull'utilizzo.
--	---

	Avvertenze di situazioni pericolose relative alla sicurezza della vita e della proprietà.
--	---

	Avvertenza di superfici calde.
--	--------------------------------

	Avvertenza per shock elettrico.
--	---------------------------------



Questo prodotto è stato realizzato in moderni impianti rispettosi dell'ambiente, senza causare danni alla natura.

1 Importanti istruzioni di sicurezza e ambientali

Importanti istruzioni di sicurezza **Leggere attentamente e conservare per riferimenti futuri**

1.1 Istruzioni di sicurezza

Questa sezione contiene istruzioni di sicurezza che aiutano a proteggere da rischi di incendio, scosse elettriche, esposizione a perdite di energia a microonde, lesioni personali o danni alle cose. Il mancato rispetto di queste istruzioni invaliderà qualsiasi garanzia.

- I prodotti Beko sono conformi agli standard di sicurezza applicabili; quindi - in caso di danni al dispositivo o al cavo di alimentazione - la riparazione o la sostituzione dovrebbero essere a cura del rivenditore, del centro assistenza o di un servizio specializzato e autorizzato al fine di evitare di incorrere in eventuali pericoli. Lavori di riparazione svolti male o da persone non qualificate possono rivelarsi pericolosi e rischiosi per l'utente.
- L'apparecchiatura è destinata all'uso domestico e applicazioni simili, tra cui:
 - Cucine per il personale in negozi, uffici e altri ambienti di lavoro;
 - Fattorie
 - Clienti in hotel e altri ambienti di tipo residenziale;
 - Ambienti tipo bed and breakfast.
- Non è stato pensato per uso industriale o di laboratorio.
- Non tentare di avviare il forno quando il suo sportello è aperto, altrimenti si potrebbe essere esposti all'energia nociva delle microonde. Le serrature di sicurezza non devono essere disabilitate o manomesse.
- Il forno a microonde è destinato a riscaldare cibi e bevande. L'asciugatura di cibo o indumenti e il riscaldamento di cuscini riscaldanti, pantofole, spugne, panni umidi e simili potrebbe comportare il rischio di lesioni, combustione e incendi.
- Non mettere alcun oggetto tra il lato anteriore e lo sportello del forno. Non lasciare accumulare sporco o residui di detergente sulle superfici di chiusura.

1 Importanti istruzioni di sicurezza e ambientali

- Qualsiasi lavoro di manutenzione che comporti la rimozione del coperchio che fornisce la protezione contro l'esposizione alle microonde deve essere eseguito da persone/centri assistenza autorizzati. Qualsiasi altro approccio è pericoloso.
- Il prodotto è utilizzabile per cucinare, riscaldare e scongelare il cibo in ambiente domestico. Non deve essere utilizzato per scopi commerciali.
- Il forno non è progettato per asciugare materia vivente.
- Non utilizzare l'apparecchio per asciugare vestiti o asciugamani da cucina.
- Non usare questo apparecchio all'aperto, nei bagni, in ambienti umidi o in luoghi dove potrebbe bagnarsi.
- Non ci assumiamo alcuna responsabilità né risponderemo ad alcuna richiesta di garanzia per danni derivanti da un uso improprio o scorretto dell'apparecchio.
- Non tentare di smontare l'apparecchio. Non si accettano richieste di garanzia per danni derivanti da uso improprio.
- Servirsi unicamente di ricambi originali o consigliati dal produttore.
- Non lasciare l'apparecchio in funzione se non è sorvegliato.
- Utilizzare sempre l'apparecchio su una superficie stabile, piana, pulita, asciutta e non scivolosa.
- Questo apparecchio non è progettato per funzionare con un timer esterno o con un sistema di comando a distanza.
- Prima di usare l'apparecchio per la prima volta, pulire tutte le parti. Vedere altri dettagli nella sezione "Pulizia e Manutenzione".
- Servirsi dell'apparecchio unicamente per lo scopo per cui è stato previsto, secondo quanto descritto nel presente manuale.
- L'apparecchio diventa molto caldo quando in funzione. Fare attenzione a non toccare le parti calde all'interno del forno.
- Non far funzionare il forno se vuoto.
- L'utensile da cucina potrebbe diventare caldo a causa del calore trasferito dal cibo riscaldato all'utensile stesso. Si potrebbe aver bisogno di guanti da forno per tenere l'utensile.
- Per assicurarsi che siano adatti all'uso nei forni a microonde, gli utensili dovranno essere controllati.

1 Importanti istruzioni di sicurezza e ambientali

- Non posizionare il forno su stufe o altri apparecchi che generano calore. In caso contrario, potrebbe danneggiarsi e ciò invaliderà la garanzia.
- Mentre si aprono i coperchi o la pellicola dopo la cottura del cibo potrebbe uscire del vapore.
- L'apparecchio e le sue superfici accessibili potrebbero essere molto caldi quando l'apparecchio è in uso.
- Lo sportello e il vetro esterno potrebbero essere molto caldi quando l'apparecchio è in uso.
- Assicurarsi che l'alimentazione di rete sia conforme alle indicazioni riportate sulla targhetta dell'apparecchio.
- L'unico modo per scollegare l'apparecchio dall'alimentazione è rimuovere la spina dalla presa di corrente.
- Servirsi dell'apparecchio unicamente solo con una presa dotata di messa a terra.
- Non utilizzare l'apparecchio se il cavo di alimentazione o l'apparecchio stesso sono danneggiati.
- Non usare l'apparecchio con una prolunga.
- Non toccare mai l'apparecchio o la sua spina con mani umide o bagnate.
- Posizionare l'apparecchio in modo che la spina sia sempre accessibile.
- Evitare di danneggiare il cavo di alimentazione non schiacciandolo, piegandolo o strofinandolo su spigoli vivi. Tenere il cavo di alimentazione lontano da superfici calde e da fiamme libere.
- Assicurarsi che non ci sia pericolo che il cavo di alimentazione possa essere tirato accidentalmente o che qualcuno possa inciampare quando l'apparecchio è in uso.
- Scollegare l'apparecchio prima di ogni pulizia e quando non è in uso.
- Non tirare il cavo di alimentazione dell'apparecchio per scollegarlo dalla sua alimentazione e non avvolgere mai il cavo di alimentazione intorno all'apparecchio.
- Non immergere l'apparecchio, il cavo di alimentazione o la spina in acqua o altri liquidi. Non tenerlo sotto l'acqua corrente.
- Quando si scalda il cibo in contenitori di plastica o carta, controllare sempre il forno in quanto sussiste la possibilità di combustione.

1 Importanti istruzioni di sicurezza e ambientali

- Prima di mettere i sacchetti nel forno, rimuovere i lacci metallici e/o i manici di metallo dei sacchetti di carta o di plastica.
 - Se si osserva del fumo, spegnere l'apparecchio o disinserire la spina del cavo di alimentazione e tenere lo sportello chiuso per soffocare le eventuali fiamme.
 - Non usare il forno a microonde come spazio di conservazione. Non lasciare oggetti di carta, materiale di cottura o cibo all'interno del forno quando non utilizzato.
 - Per evitare scottature, agitare o scuotere il contenuto dei biberon e dei vasetti di alimenti per bambini e controllarne la temperatura prima del consumo.
 - Questo apparecchio è un dispositivo ISM di gruppo 2, classe B. Il gruppo 2 contiene tutte le apparecchiature ISM (Industrial, Scientific and Medical) in cui l'energia a radiofrequenza è intenzionalmente generata e/o utilizzata sotto forma di radiazione elettromagnetica per il trattamento di materiale, e le apparecchiature di erosione delle scintille.
 - Le apparecchiature di classe B sono adatte all'uso in stabilimenti domestici e stabilimenti direttamente collegati a una rete di alimentazione a bassa tensione.
 - Non usare olio da cottura nel forno. L'olio caldo potrebbe danneggiare i componenti e i materiali del forno, e potrebbe anche causare ustioni alla pelle.
 - Praticare un taglio sugli alimenti con crosta spessa come le patate, le zucchine, le mele e le castagne.
 - L'apparecchio deve essere posizionato in modo che il lato posteriore sia rivolto verso il muro.
 - Prima di spostare l'apparecchio, fissare il piatto girevole per evitare danni.
 - Le uova alla coque e quelle sode non devono essere riscaldate nel microonde in quanto potrebbero esplodere, anche al termine del tempo di riscaldamento.
- AVVERTENZA:** Se la sportello o le guarnizioni della sportello sono danneggiate, il forno non deve essere messo in funzione finché non sia stato riparato da un tecnico autorizzato.

1 Importanti istruzioni di sicurezza e ambientali

AVVERTENZA: È pericoloso eseguire qualsiasi operazione di manutenzione o riparazione che riguardi la rimozione di un coperchio che evita l'esposizione all'energia delle microonde a meno che non venga eseguita da personale competente.

AVVERTENZA: Non si devono riscaldare liquidi o altri alimenti in contenitori sigillati perché potrebbero esplodere.

- Il forno deve essere pulito regolarmente ed ogni deposito di cibo deve essere rimosso.
- Ci dovrebbero essere almeno 20 cm di spazio libero sopra la superficie superiore del forno.
- Non cuocere troppo i cibi, altrimenti si potrebbe causare un incendio.
- Non usare prodotti chimici e pulitori a vapore per pulire l'apparecchio.
- Si consiglia estrema cautela nell'uso in prossimità di bambini e di persone limitate nelle loro capacità fisiche, sensoriali o mentali.
- Questo apparecchio può essere utilizzato da bambini di età pari o superiore a 8 anni e da persone con capacità fisiche, sensoriali o mentali limitate o che non hanno conoscenze ed esperienza, purché siano sorvegliati nell'uso sicuro del prodotto o siano istruiti di conseguenza o comprendano i rischi dell'uso del prodotto. I bambini non devono giocare con l'apparecchio. Gli interventi di pulizia e manutenzione non vanno eseguiti dai bambini a meno che non siano controllati da una persona adulta.
- **Pericolo di soffocamento!** Tenere tutti i materiali di imballaggio lontano dalla portata dei bambini.
- A causa del calore eccessivo che si genera nelle modalità grill e combinata, i bambini dovrebbero essere autorizzati a utilizzare queste modalità solo sotto la supervisione di un adulto.
- Conservare il prodotto e il suo cavo di alimentazione in modo che siano inaccessibili ai bambini di età inferiore agli 8 anni.
- Non cucinare il cibo direttamente sul vassoio di vetro. Posizionare gli alimenti in/su utensili da cucina appropriati prima di metterli in forno.

1 Importanti istruzioni di sicurezza e ambientali

- Durante la cottura a microonde i contenitori metallici per alimenti e bevande non sono ammessi. In caso contrario, potrebbero verificarsi delle scintille.
- Questo prodotto non è progettato per essere incassato. Non mettere il prodotto in un armadio o in una scatola mentre è in uso.

1.2 Conformità alla direttiva WEEE e allo smaltimento dei rifiuti:

Questo apparecchio è conforme alla Direttiva UE WEEE (2012/19/EU). Questo apparecchio riporta il simbolo di classificazione per i rifiuti delle apparecchiature elettriche ed elettroniche (WEEE).



Questo simbolo indica che questo prodotto non deve essere smaltito con altri rifiuti domestici al termine della sua vita utile. Il dispositivo usato deve essere portato a un punto di raccolta ufficiale per il riciclaggio di dispositivi elettrici ed elettronici. Per individuare questi punti di raccolta, contattare le proprie autorità locali oppure il rivenditore presso cui è stato acquistato il prodotto. Ciascuna famiglia ha un ruolo importante nel recupero e riciclaggio di vecchi apparecchi. Lo smaltimento appropriato degli apparecchi usati aiuta a prevenire potenziali conseguenze negative per l'ambiente e la salute umana.

1.3 Conformità alla Direttiva RoHS:

L'apparecchio acquistato è conforme alla Direttiva UE RoHS (2011/65/EU). Non contiene materiali pericolosi o proibiti specificati nella Direttiva.

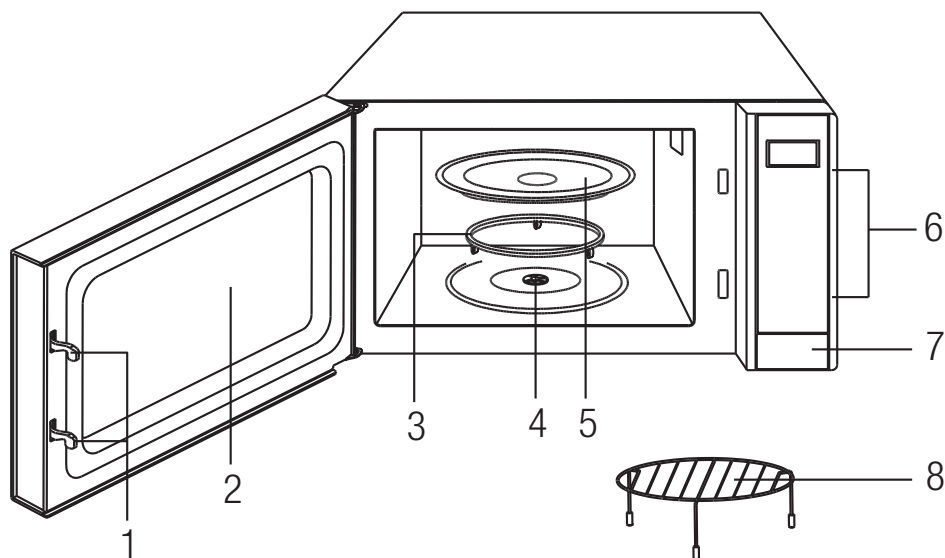
1.4 Informazioni di imballaggio



L'imballaggio del prodotto è fatto di materiali riciclabili in conformità con la normativa nazionale. Non smaltire i materiali di imballaggio con i rifiuti domestici o altri rifiuti. Portarli ai punti di raccolta per materiali di imballaggio previsti dalle autorità locali.

2 Il forno a microonde

2.1 Panoramica



Comandi e parti

1. Sistema di interblocco di sicurezza sportello
2. Vetro sportello forno
3. Supporto piatto girevole
4. Asta piatto girevole
5. Vassoio di vetro
6. Pannello di controllo
7. Pulsante apriporta
8. Rack in metallo

2.2 Dati tecnici

Consumo energetico	230-240V~, 50Hz 1400 W (microonde) 1000 W (grill)
Uscita	900 W
Frequenza operativa	2450 MHz
Dimensioni esterne (H*W*D)	281*483*360 mm
Capacità forno	23 litri
Peso netto	13.5 kg

I diritti per le modifiche agli aspetti tecnici e progettuali sono riservati.

I contrassegni sul prodotto o i valori dichiarati in altri documenti in dotazione con il prodotto sono valori ottenuti in condizioni di laboratorio secondo gli standard pertinenti. Questi valori possono variare secondo l'utilizzo dell'apparecchio e le condizioni ambientali. I valori di potenza sono testati a 240V.

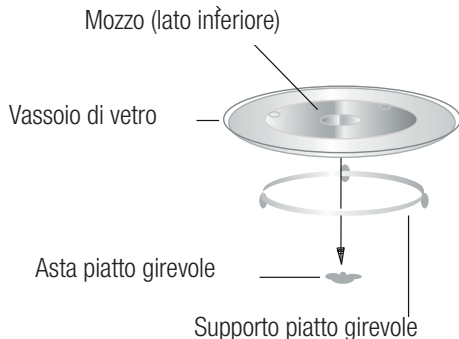
2 Il forno a microonde

2.3 Installazione del piatto girevole

- Non posizionare mai il vassoio di vetro al contrario. Il vassoio di vetro non deve mai essere ridotto.
- Durante la cottura devono essere sempre utilizzati il vassoio di vetro e il supporto del piatto girevole.
- Non cuocere direttamente gli alimenti sul vassoio di vetro. Mettere gli alimenti in/su utensili appropriati per la cucina prima di metterli nel forno.
- Se il vassoio di vetro o il supporto del piatto girevole si lesionano o si rompono, contattare il centro assistenza autorizzato più vicino.



Si consiglia di non utilizzare vassoi e griglie a contatto diretto con gli alimenti.



3 Installazione e connessione

3.1 Installazione

1. Assicurarsi che tutti i materiali d'imballaggio siano rimossi dall'interno dello sportello.



AVVERTENZA: Controllare che il forno non sia per nulla danneggiato, che non abbia uno sportello disallineato o piegato, guarnizioni dello sportello e superficie di tenuta danneggiate, cerniere e chiusure dello sportello rotte o allentate e ammaccature all'interno dell'apparecchio o sullo sportello. In caso di danni, non mettere in funzione il forno e contattare il personale di assistenza qualificato.

2. Questo forno a microonde deve essere collocato su una superficie piana e stabile in grado di sostenere il suo peso e il cibo più pesante che può essere cucinato nel forno.

3. Non posizionare il forno dove si genera calore, umidità o alta umidità, o vicino a materiali combustibili.
4. Per un corretto funzionamento, il forno deve avere un flusso d'aria sufficiente. Lasciare almeno 20 cm di spazio libero necessario sopra la superficie superiore del forno e 5 cm su entrambi i lati. La parte posteriore del forno a microonde deve essere posizionata vicino alla parete. Non coprire o bloccare le prese d'aria dell'apparecchio. Non rimuovere i piedini.
5. Non mettere in funzione il forno senza che il vassoio di vetro, il supporto del rullo e l'albero siano nella loro posizione corretta.
6. Assicurarsi che il cavo di alimentazione non sia danneggiato e non passi sotto il forno o su una superficie calda o tagliente.
7. La presa deve essere facilmente accessibile in modo che possa essere facilmente scollegata in caso di emergenza.
8. Non utilizzare il forno all'aperto.

3 Installazione e connessione

3.2 Interferenze radio

Il funzionamento del forno a microonde può causare interferenze a radio, TV o apparecchiature simili. In caso di interferenza, la stessa potrebbe essere ridotta o eliminata effettuando le seguenti operazioni:

1. Pulire la porta e la superficie della guarnizione del forno.
2. Riorientare l'antenna di ricezione della radio o della televisione.
3. Riposizionare il forno a microonde rispetto al ricevitore.
4. Allontanare il forno a microonde dal ricevitore.
5. Inserire il forno a microonde in una presa diversa, in modo che il forno a microonde e il ricevitore si trovino su diversi circuiti derivati.

3.3 Istruzioni per la messa a terra

Questo apparecchio deve essere collegato alla messa a terra. Questo forno è dotato di un cavo con un filo di messa a terra con una spina di messa a terra. Deve essere inserita in una presa a muro correttamente installata e messa a terra. In caso di cortocircuito elettrico, la messa a terra riduce il rischio di scosse elettriche fornendo un filo di fuga per la corrente elettrica. Si raccomanda di prevedere un circuito separato che serva solo il forno. L'uso dell'alta tensione è pericoloso e potrebbe provocare un incendio o altri incidenti con conseguenti danni al forno.



AVVERTENZA: L'uso improprio della spina di messa a terra può comportare un rischio di scossa elettrica.



In caso di domande sulla messa a terra o sulle istruzioni elettriche, consultare un elettricista qualificato o un tecnico del servizio assistenza.



Né il produttore né il rivenditore possono accettare responsabilità per danni al forno o lesioni personali derivanti dalla mancata osservanza delle procedure di collegamento elettrico.

I fili di questo cavo principale sono colorati secondo la seguente codificazione:

Verde e giallo = TERRA

Blu = NEUTRO

Marrone = VIVO

3.4 Prima di chiamare l'assistenza

Se il forno non funziona:

1. Controllare che il forno sia collegato in sicurezza. In caso contrario, togliere la spina dalla presa, aspettare 10 secondi e ricollegarla in sicurezza.
2. Controllare se vi sia un fusibile bruciato o che un interruttore principale sia scattato. Se sembrano funzionare correttamente, provare la presa con un altro apparecchio.
3. Controllare che il pannello di controllo sia programmato correttamente e che il timer sia impostato.
4. Controllare che lo sportello sia chiuso in modo sicuro inserendo il sistema di blocco di sicurezza dello sportello stesso. Altrimenti, l'energia delle microonde non si propagerà nel forno.

SE NESSUNA DI QUESTE SOLUZIONI RISOLVE LA SITUAZIONE, ALLORA CONTATTARE UN TECNICO QUALIFICATO. NON CERCARE DI REGOLARE O RIPARARE IL FORNO AUTONOMAMENTE.

3 Installazione e connessione

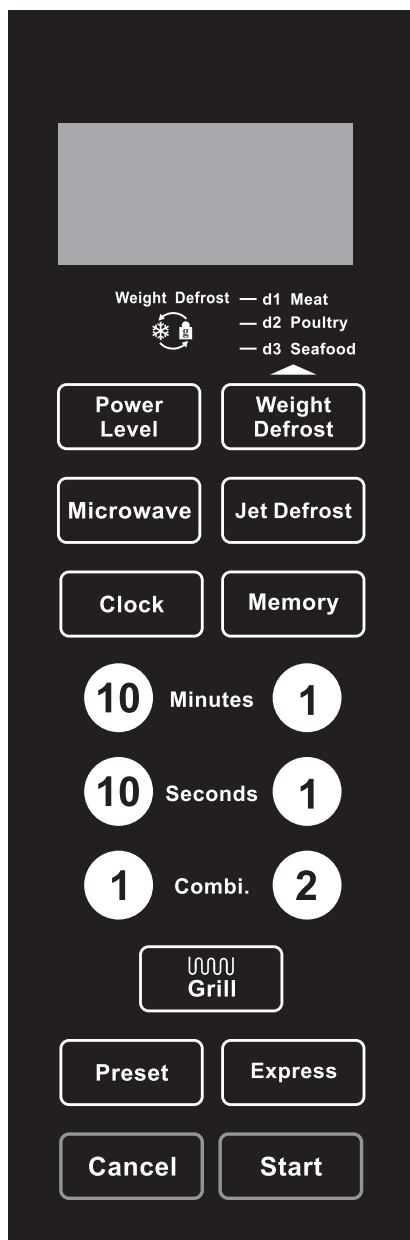
3.5 Guida agli utensili

1. Le microonde non possono penetrare il metallo. Usare solo utensili adatti all'uso nel forno a microonde. Durante la cottura a microonde i contenitori metallici per alimenti e bevande non sono ammessi. Questo requisito non è applicabile se il produttore dovesse specificare le dimensioni e la forma dei contenitori metallici adatti alla cottura a microonde.
 2. Le microonde non possono penetrare il metallo, quindi utensili di metallo o piatti con finiture metalliche non dovrebbero essere usati.
 3. Non utilizzare prodotti di carta riciclata per la cottura a microonde, in quanto potrebbero contenere piccoli frammenti di metallo che potrebbero provocare scintille e/o incendi.
 4. Si raccomandano piatti rotondi/ovalvi piuttosto che quadrati/lunghi, perché il cibo negli angoli tende a cuocere troppo.
 5. Per evitare la cottura eccessiva delle aree esposte, potrebbero essere utilizzate delle strisce strette di foglio di alluminio. Ma attenzione a non usarne troppo e a mantenere una distanza di 1 pollice (2,54 cm) tra il foglio e le pareti del forno.
- L'elenco che segue è una guida generale di aiuto nella selezione degli utensili corretti.

Pentole	Microonde	Grill	Cottura combinata
Vetro resistente al calore	Sì	Sì	Sì
Vetro non resistente al calore	No	No	No
Ceramica resistente al calore	Sì	Sì	Sì
Piatto di plastica per microonde	Sì	No	No
Carta da cucina	Sì	No	No
Vassoio di metallo	No	Sì	No
Piastra di cottura	No	Sì	No
Foglio di alluminio e contenitore di alluminio	No	Sì	No

4 Funzionamento

4.1 Pannello di controllo



Schermo del display

Vengono visualizzati il tempo di cottura, la potenza, gli indicatori e l'ora attuale.

Tasti numerici (10 minuti, 10 secondi 1)

Premere per impostare l'orologio, il tempo di cottura o inserire il peso del cibo.

Livello di potenza

Premere per impostare il livello di potenza di cottura delle microonde.

Scongelamento a peso

Premere per impostare il programma di scongelamento in base al peso.

Microonde

Premere per impostare il programma di cottura a microonde.

Scongelamento rapido

Premere per impostare il programma di scongelamento in base al tempo.

Orologio

Premere per impostare l'orologio del forno.

Memoria

Premere per impostare il programma di cottura multistadio.

Combi.1/Combi.2

Premere per impostare il programma di cottura combinato.

Grill

Premere per impostare il programma di cottura del grill.

Preselezioni

Premere per impostare la funzione di preselezione.

Express

Basta premerlo un certo numero di volte per impostare il tempo di cottura e cuocere immediatamente a piena potenza.

4 Funzionamento

Cancela

Cancela tutte le impostazioni precedenti prima di impostare un'altra funzione.

Premere una volta per fermare temporaneamente la cottura o due volte per annullare la cottura.

Start

Premere per avviare il programma di cottura.

4.2 Come impostare i comandi del forno

- Quando il forno viene collegato per la prima volta, viene emesso un segnale acustico e il display mostra "1:01" e "🕒".
- Nel processo di impostazione, dopo circa 20 secondi il forno tornerà in modalità standby.
- Durante la cottura, se si preme il tasto "Cancela" una volta, il programma viene messo in pausa, poi premere il tasto "Start" per riprendere, ma se si preme il tasto "Cancela" due volte, il programma viene cancellato.
- Dopo aver terminato la cottura, lo schermo visualizzerà Fine con un suono prodotto ogni due minuti fino a quando l'utente non preme un qualsiasi tasto o apre lo sportello.

4.3 Impostazione dell'orologio

Questo è un orologio a 12 o 24 ore. Si può scegliere di impostare l'ora dell'orologio in un ciclo di 12 o 24 ore premendo il tasto "Orologio".

1. In modalità standby, premere il tasto "Orologio" una o due volte per scegliere il formato dell'orologio a 12 o 24 ore.
2. Per impostare l'ora corretta usare i tasti numerici.
3. Premere il tasto "Orologio" per confermare.



Durante la cottura, si può controllare l'ora corrente dell'orologio premendo il tasto "Orologio".

4.4 Cottura espressa

1. Usare questa funzione per programmare il forno per iniziare comodamente al 100% della potenza.
2. In modalità standby, premere il tasto "Express" in rapida successione per impostare il tempo (ogni pressione per 30 secondi e fino a 10 minuti).
3. Il forno inizia a cuocere automaticamente alla massima potenza.
4. Durante la cottura, si può aggiungere il tempo di cottura premendo il tasto "Express".

4.5 Cottura a microonde

1. In modalità standby, premere ripetutamente il tasto "Livello di potenza" per impostare il livello di potenza di cottura.
2. Premere una volta il tasto "Microonde" e poi usare i tasti numerici per inserire il tempo di cottura. L'arco di tempo più lungo è di 99 minuti e 99 secondi.
3. Premere il tasto "Start" per confermare.

Premere il tasto Livello di potenza per impostare un livello di potenza di cottura:

Premere il tasto Livello di potenza	Livello di potenza
Una volta	100%
Due volte	80%
3 volte	60%
4 volte	40%
5 volte	20%
6 volte	0%



Durante la cottura, si può controllare il livello di potenza attuale premendo il tasto "Livello di potenza". Se si vuole cuocere a piena potenza, omettere il primo passo.

4 Funzionamento

4.6 Grill

1. In modalità standby, premere una volta il tasto "Grill".
2. Per impostare il tempo di cottura utilizzare o tasti numerici. L'arco di tempo più lungo è di 99 minuti e 99 secondi.
3. Premere il tasto "Start" per confermare.

4.7 Combinazione

1. In modalità standby, premere una volta il tasto "Combi.1 o Combi.2".
2. Per impostare il tempo di cottura utilizzare o tasti numerici. L'arco di tempo più lungo è di 99 minuti e 99 secondi.
3. Premere il tasto "Start" per confermare.

4.8 Scongelamento rapido

1. In modalità standby, premere una volta il tasto "Scongelamento rapido".
2. Per inserire il tempo di scongelamento usare i tasti numerici. L'arco di tempo più lungo è di 99 minuti e 99 secondi.
3. Premere il tasto "Start" per confermare.

4.9 Scongelamento a peso

Il tempo di scongelamento e il livello di potenza sono impostati automaticamente una volta programmati la categoria e il peso degli alimenti

1. In modalità standby, premere ripetutamente "Scongelamento a peso" per selezionare il codice del cibo.
2. Per selezionare il peso del cibo usare i tasti numerici.
3. Premere il tasto "Start" per confermare.

Descrizione del codice di scongelamento a peso:

Premere Scongela-mento a peso	Display	Tipo di alimento	Peso massimo
Una volta	d1	Carne	2300 g
Due volte	d2	Pollame	2300 g
3 volte	d3	Frutti di mare	900 g

10 Minuti=1kg	1 minuto=100 g
10 secondi=10 g	1 secondi=1 g



Durante la cottura, il sistema farà una pausa per ricordare di girare gli alimenti, e poi premere il tasto "Start" per riprendere. L'utente deve inserire il peso corretto, altrimenti il forno a microonde non si avvia.

4.10 Preimpostazioni

La funzione di preimpostazione permette al forno di avviarsi in un momento successivo.

1. Impostare un programma di cottura (eccetto il programma scongelamento rapido, cottura espressa e scongelamento a peso).
2. Premere una volta il tasto "Preimpostazioni".
3. Per inserire il tempo di preimpostazione utilizzare i tasti numerici.
4. Premere il tasto "Start" per iniziare



Si può controllare il tempo preimpostato durante la cottura premendo una volta il tasto "Preimpostazioni". Il conto alla rovescia del tempo può essere osservato sul display per 5 secondi, e poi premere il tasto "Cancella" entro 5 secondi per cancellare il programma.

4 Funzionamento

4.11 Cottura multistadio

Il forno può essere programmato per un massimo di 2 sequenze di cottura automatica.

Esempio: Supponiamo che si voglia impostare il seguente programma di cottura.

Cottura a microonde



Cottura a microonde (con livello di potenza inferiore)

1. Inserire il primo stadio del programma di cottura a microonde. Non premere il tasto "Start".
2. Premere una volta il tasto "Memoria".
3. Inserire il programma di cottura a microonde del secondo stadio.
4. Premere il tasto "Start" per iniziare.



La cottura espressa, lo scongelamento rapido e lo scongelamento a peso non possono essere impostati in un programma di cottura multistadio.

4.12 Blocco bambini

Utilizzarlo per evitare che i bambini usino il forno senza che siano sorvegliati.

Per impostare il blocco bambini: In modalità standby, passato un minuto senza alcuna operazione, il forno entrerà automaticamente in modalità di blocco bambini e la spia del blocco si accenderà. Nello stato di blocco, tutti i tasti sono disabilitati.

Per annullare il blocco bambini: In modalità blocco bambini, aprire o chiudere lo sportello del forno per cancellare il programma.

4.13 Tecniche di cottura

- Disporre gli alimenti con cura. Posizionare le aree più spesse verso l'esterno del piatto.
- Osservare il tempo di cottura. Cuocere per il minor tempo indicato e aggiungerne altro se necessario. Gli alimenti eccessivamente cotti possono fumare o prendere fuoco.
- Coprire gli alimenti durante la cottura. I coperchi evitano gli schizzi e aiutano gli alimenti a cuocere in modo uniforme.
- Per accelerare la cottura di alimenti come il pollo e gli hamburger, girare gli alimenti una volta durante la cottura a microonde. Gli alimenti particolarmente grandi come gli arrostiti devono essere girati almeno una volta.
- Girare gli alimenti come le polpette a metà cottura sia dall'alto verso il basso che dal centro del piatto verso l'esterno.

5 Pulizia e manutenzione

5.1 Pulizia e cura



AVVERTENZA: Non utilizzare benzina, solventi, detergenti abrasivi, oggetti metallici o spazzole dure per pulire l'apparecchio.



AVVERTENZA: Non immergere mai l'apparecchio o il suo cavo di alimentazione in acqua o in qualsiasi altro liquido.

1. Spegnerne il forno e togliere la spina dalla presa di corrente prima di pulire.
2. Tenere pulito l'interno del forno. In caso di aderenza di schizzi di cibo o liquidi versati alle pareti del forno, pulire con un panno umido. Se il forno è molto sporco, si può usare un detergente delicato. Evitare l'uso di spray e altri detergenti aggressivi perché potrebbero macchiare, striare o opacizzare la superficie dello sportello.
3. Le superfici esterne dovrebbero essere pulite con un panno umido. Per evitare danni alle parti operative all'interno del forno, l'acqua non dovrebbe penetrare nelle bocchette di ventilazione.
4. Pulire frequentemente i due lati dello sportello e del vetro, le guarnizioni dello sportello e le parti adiacenti con un panno umido per rimuovere eventuali perdite o schizzi. Non usare detergenti abrasivi.
5. Non usare un pulitore a vapore.
6. Non lasciare che il pannello di controllo si bagni. Pulire con un panno morbido e umido. Quando si pulisce il pannello di controllo, lasciare lo sportello del forno aperto per evitare che il forno si accenda accidentalmente.
7. In caso di accumulo di vapore all'interno o all'esterno dello sportello del forno, pulirlo con un panno morbido. Ciò potrebbe verificarsi quando il forno a microonde viene utilizzato in condizioni di elevata umidità. Ed è normale.
8. Occasionalmente è necessario rimuovere il vassoio di vetro per la pulizia. Lavare il vassoio in acqua calda e umida o in lavastoviglie.
9. L'anello del rullo e il pavimento del forno dovrebbero essere puliti regolarmente per evitare una rumorosità eccessiva. Basta pulire la superficie inferiore del forno con un detergente delicato. L'anello del rullo potrebbe essere lavato in acqua tiepida o in lavastoviglie. Quando si rimuove l'anello del rullo dal pavimento del forno per la pulizia, assicurarsi di rimmetterlo nella posizione corretta.
10. Rimuovere gli odori dal forno mettendo insieme una tazza d'acqua con il succo e la buccia di un limone in una ciotola profonda per microonde, lasciandola nel microonde per 5 minuti. Pulire accuratamente e asciugare con un panno morbido.
11. Quando diventa necessario sostituire la luce del forno, si prega di consultare un rivenditore per farla sostituire.
12. Il forno deve essere pulito regolarmente ed ogni deposito di cibo deve essere rimosso. La mancata pulizia del forno potrebbe portare al deterioramento della superficie influenzando la durata dell'apparecchiatura e comportando una situazione di pericolo.
13. Si prega di non gettare questo apparecchio nella spazzatura domestica, ma di smaltirlo nel centro di smaltimento specifico previsto dai comuni.
14. Quando il forno a microonde con funzione grill viene usato per la prima volta, potrebbe produrre un leggero fumo e odore. Questo è un fenomeno normale perché il forno è costituito da una piastra d'acciaio rivestita di olio lubrificante, e il nuovo forno produrrà fumi e odori generati dalla combustione dell'olio lubrificante stesso. Questo fenomeno scomparirà dopo un certo periodo di utilizzo.

5 Pulizia e manutenzione

5.2 Conservazione

- Se non si intende usare l'apparecchio per molto tempo, conservatelo con cura.
- Assicurarsi che l'apparecchio sia scollegato, raffreddato e completamente asciutto.
- Conservare l'apparecchio in un luogo fresco e asciutto.
- Tenere l'apparecchio fuori dalla portata dei bambini

5.3 Manipolazione e trasporto

- Durante la movimentazione e il trasporto, trasportare l'apparecchio nella sua confezione originale. L'imballaggio dell'apparecchio lo protegge da danni fisici.
- Non appoggiare carichi pesanti sull'apparecchio o sull'imballaggio. L'apparecchio potrebbe essere danneggiato.
- La caduta dell'apparecchio lo renderà non operativo o causerà danni permanenti.

6 Ricerca e risoluzione dei problemi

Problema	Possibile causa	Soluzione
Il forno non si avvia.	1) Il cavo di alimentazione non è collegato correttamente.	Scollegare. Poi ricollegare di nuovo dopo 10 secondi.
	2) Il fusibile è bruciato o è attivato l'interruttore di circuito.	Sostituire il fusibile o reimpostare l'interruttore di circuito (farlo riparare da un professionista della nostra azienda).
	3) Problemi con la presa elettrica.	Testare la presa con altri apparecchi elettrici.
Il forno non si riscalda.	4) Lo sportello non è chiuso bene.	Chiudere bene lo sportello.
Il piatto girevole fa rumore quando il forno a microonde è in funzione.	5) Il piatto girevole e la parte bassa del forno sono sporchi.	Vedere la sezione "Pulizia e manutenzione" per pulire le parti sporche.
Il forno visualizza errore E-3 e non funziona	6) Lo sportello del forno non si apre (per un'ostruzione avanti allo sportello, bassa tensione, ecc.)	Scollegare. Poi ricollegare di nuovo dopo 10 secondi.



CERTIFICATO DI GARANZIA

La presente garanzia commerciale si intende aggiuntiva e non sostitutiva di ogni altro diritto di cui gode il consumatore, intendendo per consumatore esclusivamente colui che utilizza il bene per scopi estranei all'attività imprenditoriale o professionale eventualmente svolta e pertanto per uso domestico/privato, e in particolare non pregiudica in alcun modo i diritti del consumatore stabiliti dal Dlgs 206/05. BEKO Italy S.r.l. in conformità alla facoltà prevista dalla legge, offre al consumatore una garanzia commerciale aggiuntiva, nei termini e nei modi di seguito indicati.

Questo certificato non deve essere spedito per la convalida. È valido e operante solo se conservato assieme alla ricevuta fiscale o altro documento reso fiscalmente obbligatorio.

Condizioni di Garanzia

1. BEKO Italy S.r.l. garantisce l'apparecchio per un periodo di 2 anni dalla data di acquisto (12 mesi se acquistato con fattura di vendita e non con scontrino fiscale).
2. La garanzia è valida esclusivamente sul territorio italiano compresa la Repubblica di San Marino e la città del Vaticano e deve essere comprovata da scontrino fiscale o fattura, che riporti il nominativo del Rivenditore, la data di acquisto dell'apparecchio nonché gli estremi i identificativi dello stesso (tipo, modello).
3. Per garanzia s'intende la sostituzione o riparazione gratuita delle parti componenti l'apparecchio che sono risultate difettose all'origine, per vizi di fabbricazione.
4. L'utente decade dai diritti di garanzia se non denuncia il difetto di conformità entro 2 mesi dalla scoperta dello stesso.
5. Diritto di Chiamata: gratuita per i primi 12 mesi di garanzia, a pagamento per gli altri 12 mesi nel caso l'utente non sia in grado di provare che il difetto sia dovuto a vizio di conformità del prodotto.
6. Manodopera e ricambi gratuiti per i 24 mesi del periodo di garanzia.
7. L'intervento di riparazione viene effettuato presso il centro di assistenza reperibile presso il call centre e sul sito www.beko.it, fatto salvo i casi di impossibilità oggettiva o di forza maggiore.
8. La riparazione o sostituzione dei componenti o dell'apparecchio stesso, non estendono la durata della garanzia.
9. Tutte le parti asportabili e tutte le parti estetiche, non sono coperte da garanzia.
10. Tutti i materiali soggetti ad usura non sono coperti da garanzia a meno che venga dimostrata la difettosità risalente a vizio di fabbricazione delle stesse.
11. La BEKO Italy S.r.l. declina ogni responsabilità per eventuali danni che possano derivare, direttamente od indirettamente, a persone e cose come conseguenza del mancato rispetto delle istruzioni tutte, incluse nell'apposito Manuale per l'uso dell'apparecchio allegato a ciascuno apparecchio, da parte dell'utente ed in particolar modo per quanto concerne le avvertenze relative alla installazione, all'uso ed alla manutenzione dell'apparecchio stesso.
12. La garanzia non diventa operante e l'assistenza sarà effettuata totalmente a pagamento nei seguenti casi:
 - a. Danni dovuti al trasporto o alla movimentazione delle merci.
 - b. Interventi di installazione e montaggio, così come l'errata connessione o errata erogazione dalle reti di alimentazione, mancanza di allacciamento alla presa di terra.
 - c. Installazione errata, imperfetta o incompleta, per incapacità d'uso da parte dell'Utente, se mancano gli spazi necessari ad operare attorno ai prodotti, per eccessiva o scarsa temperatura dell'ambiente,.
 - d. Interventi nei quali non è stato riscontrato il difetto lamentato, o per generici problemi di funzionamento causati da errata impressione del cliente
 - e. Danni causati da agenti atmosferici (fulmini, terremoti, incendi, alluvioni, ecc.)
 - f. Se il numero di matricola risulta asportato, cancellato o manomesso.
 - g. Riparazioni, modifiche o manomissioni effettuate da persone non autorizzate dal produttore o comunque per cause non dipendenti dal prodotto. Per guasti dovuti a mancanza di regolare manutenzione (pulizia e manutenzione del prodotto).
 - h. Mancanza dei documenti fiscali o se gli stessi risultano contraffatti o non inerenti al prodotto.
 - i. L'uso improprio dell'apparecchio, non di tipo domestico o diverso da quanto stabilito dal produttore, fa decadere il diritto alla Garanzia.
 - j. Per tutte le circostanze esterne che non siano riconducibili a difetti di fabbricazione dell'elettrodomestico.
 - k. Si intendono a pagamento anche tutti gli eventuali trasporti necessari per lo svolgimento degli interventi legati ai casi citati.

Il Servizio Assistenza di BEKO Italy S.r.l. è l'unico autorizzato a riparare i prodotti a marchio BEKO. Per ogni controversia è competente il foro di Milano.

Durante e dopo il periodo di garanzia, vi consigliamo di rivolgervi sempre ai nostri centri di assistenza autorizzati. Per contattare il Centro di Assistenza Tecnica Autorizzato operante nella sua zona chiami il numero unico per l'Italia:

02.03.03

Prima di contattare l'assistenza tecnica, al fine di agevolare la gestione della chiamata, è necessario avere a portata di mano il modello del prodotto e il documento fiscale di acquisto.


Avant d'utiliser l'appareil, veuillez lire ce manuel !


Chère cliente, cher client,

Merci d'avoir choisi les produits Beko. Nous espérons que ce produit, fabriqué dans des installations modernes et soumis à un processus de contrôle qualité rigoureux, vous offre les meilleures performances possibles. C'est pourquoi nous vous recommandons, avant d'utiliser ce produit, de lire attentivement ce manuel et tous les autres documents fournis et de les conserver soigneusement pour toute consultation future. Si vous confiez le produit à quelqu'un d'autre, n'oubliez pas de lui remettre également le manuel d'utilisation. Veuillez à bien respecter les consignes et les instructions figurant dans le manuel d'utilisation.


Signification des symboles

Les symboles suivants sont utilisés tout au long de ce manuel :

	Informations importantes et conseils utiles sur l'utilisation de l'appareil.
--	--

	Avertissement sur les situations dangereuses concernant la sécurité des biens et des personnes.
--	---

	Avertissement en cas de contact avec une surface brûlante.
--	--

	Avertissement en cas de choc électrique.
---	--



Ce produit a été fabriqué dans une usine moderne respectueuse de l'environnement.

1 Instructions importantes en matière de sécurité et d'environnement

Consignes de sécurité importantes à lire attentivement et à conserver pour référence ultérieure

1.1 Avertissements de sécurité

Cette section comprend les instructions de sécurité qui vous mettent à l'abri de tout risque d'incendie, de choc électrique, d'exposition à une fuite d'énergie micro-ondes, de toute blessure physique ou de tout dommage matériel. Le non-respect de ces instructions annule toute garantie.

- Les fours à micro-ondes Beko sont conformes aux normes de sécurité applicables ; par conséquent, en cas de dommage sur l'appareil ou le câble d'alimentation, celui-ci doit être réparé ou remplacé par le revendeur, le centre de service ou un service spécialisé et autorisé afin d'éviter tout danger. Lorsque les réparations sont mauvaises ou effectuées par un personnel non qualifié, elles peuvent être dangereuses et entraîner des risques pour l'utilisateur.
- Cet appareil est conçu pour être utilisé dans les maisons et les endroits similaires tels que :
 - les cuisines du personnel des boutiques, des bureaux et autres environnements professionnels ;
 - les maisons de campagne ;
 - les cuisines pour clients dans les hôtels et autres lieux d'habitation ; et
 - les chambres d'hôtes.
- Il n'a pas été conçu à des fins industrielles ou pour les laboratoires.
- N'essayez pas de démarrer le four lorsque sa porte est ouverte, sinon vous risquez d'être exposé à l'énergie nocive des micro-ondes. Les verrous de sécurité ne doivent pas être levés ou altérés.
- Le four sert à réchauffer les aliments et les boissons. Le séchage des aliments et des chiffons humides, et le chauffage des coussins, pantoufles et éponges chauffantes, et autres dispositifs pourraient causer des dommages corporels, ou un incendie.

1 Instructions importantes en matière de sécurité et d'environnement

- Ne placez aucun objet entre la face avant et la porte du four. Ne laissez pas la saleté ou les restes de produits de nettoyage s'accumuler sur les surfaces de fermeture.
- Tout travail de réparation impliquant le retrait du couvercle qui assure la protection contre l'exposition à l'énergie micro-ondes doit être effectué par des personnes/services autorisés. Toute autre approche est dangereuse.
- Votre appareil est destiné à la cuisson, au chauffage et à la décongélation des aliments à domicile. Il ne doit pas être utilisé à des fins commerciales.
- Votre four n'est pas conçu pour sécher un être vivant.
- N'utilisez pas votre appareil pour sécher les vêtements ou les torchons de cuisine.
- N'utilisez pas cet appareil à l'extérieur, dans les salles de bain, dans des environnements humides ou dans des endroits où il peut être mouillé.
- Aucune responsabilité ou garantie n'est assumée pour les dommages résultant d'une mauvaise utilisation ou d'une manipulation incorrecte de l'appareil.
- N'essayez jamais de démonter l'appareil. Aucune réclamation de garantie n'est acceptée pour les dommages causés par une mauvaise manipulation.
- Utilisez uniquement les pièces ou pièces d'origine recommandées par le fabricant.
- Ne laissez pas l'appareil sans surveillance lorsqu'il est utilisé.
- Utilisez toujours l'appareil sur une surface stable, plane, propre, sèche et antidérapante.
- L'appareil ne doit pas être utilisé avec une horloge externe ou un système de commande à distance séparé.
- Nettoyez toutes les pièces de l'appareil avant de l'utiliser pour la première fois. Veuillez consulter les détails donnés dans la section « Nettoyage et entretien ».
- N'utilisez l'appareil que pour l'usage auquel il est destiné, tel que décrit dans ce manuel.
- L'appareil devient brûlant lorsqu'il est utilisé. Faites attention à ne pas toucher les parties chaudes à l'intérieur du four.
- Ne faites pas fonctionner le four lorsqu'il est vide.

1 Instructions importantes en matière de sécurité et d'environnement

- La chaleur produite par les aliments peut être transmise aux ustensiles de cuisson et les faire chauffer. Vous aurez peut-être besoin de gants de cuisine pour tenir l'ustensile.
- Assurez-vous que les ustensiles sont adaptés à l'utilisation dans un four à micro-ondes.
- Ne placez pas le four sur des cuisinières ou d'autres appareils générant de la chaleur. Dans le cas contraire, il peut être endommagé, annulant ainsi la garantie.
- De la vapeur peut s'échapper lorsque vous ouvrez les couvercles ou le papier d'aluminium après la cuisson des aliments.
- L'appareil et ses surfaces accessibles peuvent être très chauds lorsque l'appareil fonctionne.
- La porte et le verre extérieurs peuvent être très chauds lorsque l'appareil fonctionne.
- Assurez-vous que votre alimentation électrique est conforme aux informations fournies sur la plaque signalétique de l'appareil.
- L'unique façon de déconnecter l'appareil de l'alimentation électrique est de retirer la fiche de la prise de courant.
- Utilisez l'appareil uniquement avec une prise mise à la terre.
- N'utilisez jamais l'appareil si le câble d'alimentation ou l'appareil lui-même est endommagé.
- N'utilisez pas cet appareil avec une rallonge.
- Ne touchez jamais l'appareil ou sa prise avec des mains humides.
- Placez l'appareil de manière à ce que la fiche soit toujours accessible.
- Évitez d'endommager le câble d'alimentation en ne pas le serrer, le plier ou le frotter sur des bords tranchants. Éloignez le câble d'alimentation de toute surface brûlante et des flammes.
- Assurez-vous qu'il n'y ait aucun danger de tension accidentelle sur le câble d'alimentation et que personne ne risque de trébucher sur le câble, lorsque l'appareil est en marche.
- Débranchez l'appareil avant chaque nettoyage et lorsque l'appareil n'est pas utilisé.
- Ne tirez pas le câble d'alimentation de l'appareil pour le débrancher de son alimentation électrique et n'enroulez jamais son câble d'alimentation autour de l'appareil.

1 Instructions importantes en matière de sécurité et d'environnement

- Ne plongez pas l'appareil, le câble d'alimentation ou la fiche dans de l'eau ou dans tout autre liquide. Ne le maintenez pas sous l'eau courante.
- Si vous chauffez les aliments dans un récipient en plastique ou en papier, gardez un œil sur le four pour éviter tout risque d'inflammation.
- Retirez les attaches et poignées métalliques des récipients/sacs en papier ou en plastique avant de la monter sur le four.
- Si vous remarquez de la fumée, débranchez l'appareil si cela peut se faire sans danger et maintenez la porte fermée pour étouffer les flammes.
- N'utilisez pas le four à micro-onde comme espace de rangement. Ne laissez pas des produits en papier, des ustensiles de cuisson ou des aliments dans la cavité du four lorsque vous ne l'utilisez pas.
- Le contenu des biberons et aliments pour bébé doit être remué ou agité et vérifiez la température avant de les consommer pour éviter tout risque de brûlure.
- Ce produit est un appareil ISM du groupe 2 et de classe B. Le groupe 2 comprend tous les appareils ISM (à usage industriel, scientifique et médical) dans lesquels une énergie à fréquence radio est produite de façon intentionnelle et/ou utilisée sous la forme de radiations électromagnétiques pour le traitement de matériau, ainsi que les appareils dont les pièces sont usinées par électroérosion.
- Les appareils de la classe B sont conçus pour être utilisés dans un environnement domestique et dans des établissements directement reliés à un réseau d'alimentation basse tension.
- N'utilisez pas des huiles de cuisine dans le four. L'huile chaude peut endommager les composants et les matériaux du four. Elle peut également provoquer des brûlures de la peau.
- Percez les aliments à la croûte épaisse comme les pommes de terre, les courgettes, les pommes et les châtaignes.
- Disposez l'appareil de sorte que la face arrière soit tournée vers le mur.

1 Instructions importantes en matière de sécurité et d'environnement

- Avant de déplacer l'appareil, veuillez sécuriser le plateau tournant pour éviter tout dommage.
- Ne chauffez pas les œufs en coquille et les œufs durs entiers dans les fours à micro-ondes, ils peuvent exploser même après que le four ait terminé de chauffer.
- Ne faites pas trop cuire les aliments, sinon vous risquez de provoquer un incendie.
- N'utilisez pas de nettoyeur à la vapeur pour nettoyer l'appareil.
- Des conditions de sécurité maximales sont requises lorsque l'appareil est utilisé près des enfants ou des personnes présentant des déficiences physiques, sensorielles ou mentales.

AVERTISSEMENT : Si la porte ou les joints de la porte sont endommagés, faites-les réparer par une personne qualifiée avant de continuer à utiliser le four.

AVERTISSEMENT : Il est dangereux pour toute personne non qualifiée d'effectuer les travaux d'entretien et de réparation nécessitant le démontage du couvercle servant à protéger contre l'énergie des ondes du four.

AVERTISSEMENT : Les liquides et autres aliments ne doivent pas être chauffés dans les récipients fermés, parce qu'ils peuvent exploser.

- Nettoyez le four régulièrement et enlevez tous les dépôts d'aliments dans le four.
- Vous devez laisser un espace de 20 cm au-dessus de la surface supérieure du four.
- Cet appareil peut être utilisé par des enfants âgés d'au moins 8 ans et par des personnes ayant des capacités physiques, sensorielles ou mentales réduites ou dénuées d'expérience ou de connaissance, s'ils (si elles) sont correctement surveillé(es) ou si des instructions relatives à l'utilisation de l'appareil en toute sécurité leur ont été données et si les risques encourus ont été appréhendés. Les enfants ne doivent pas jouer avec l'appareil. Le nettoyage et l'entretien par l'utilisateur ne doivent pas être effectués par des enfants sans surveillance
- **Risque de suffocation !** Gardez tous les matériaux d'emballage hors de portée des enfants.

1 Instructions importantes en matière de sécurité et d'environnement

- En raison de l'excès de chaleur qui se produit en modes gril et combiné, les enfants ne doivent être autorisés à utiliser ces modes que sous la surveillance d'un adulte.
- Tenez l'appareil et son câble d'alimentation hors de la portée des enfants de moins de 8 ans.
- Ne faites pas cuire les aliments directement sur le plateau en verre. Mettez les aliments dans/sur les ustensiles de cuisine appropriés avant de les placer dans le four.
- Les récipients métalliques pour les aliments et les boissons ne sont pas autorisés pendant la cuisson au micro-ondes. Sinon, cela pourrait produire une formation d'étincelles.
- Cet appareil n'est pas conçu pour être intégré. Ne le placez pas dans une armoire ou une boîte lorsqu'il est utilisé.

1.2 Conformité avec la directive DEEE et mise au rebut des déchets :

Ce produit est conforme à la directive DEEE (2012/19/UE) de l'Union européenne. Ce produit porte un symbole de classification pour la mise au rebut des équipements électriques et électroniques (DEEE).



Ce symbole indique que ce produit ne doit pas être jeté avec les déchets ménagers à la fin de sa vie utile. Les appareils usagés doivent être retournés au point de collecte officiel destiné au recyclage des appareils électriques et électroniques. Pour trouver ces systèmes de collecte, veuillez contacter les autorités locales ou le détaillant auprès duquel vous avez acheté le produit.

Chaque ménage joue un rôle important dans la récupération et le recyclage des appareils ménagers usagés. L'élimination appropriée des appareils usagés aide à prévenir les conséquences négatives potentielles pour l'environnement et la santé humaine.

1.3 Conformité avec la directive LdSD :

L'appareil que vous avez acheté est conforme à la directive LdSD (2011/65/UE) de l'Union européenne. Il ne comporte pas les matériels dangereux et interdits mentionnés dans la directive.

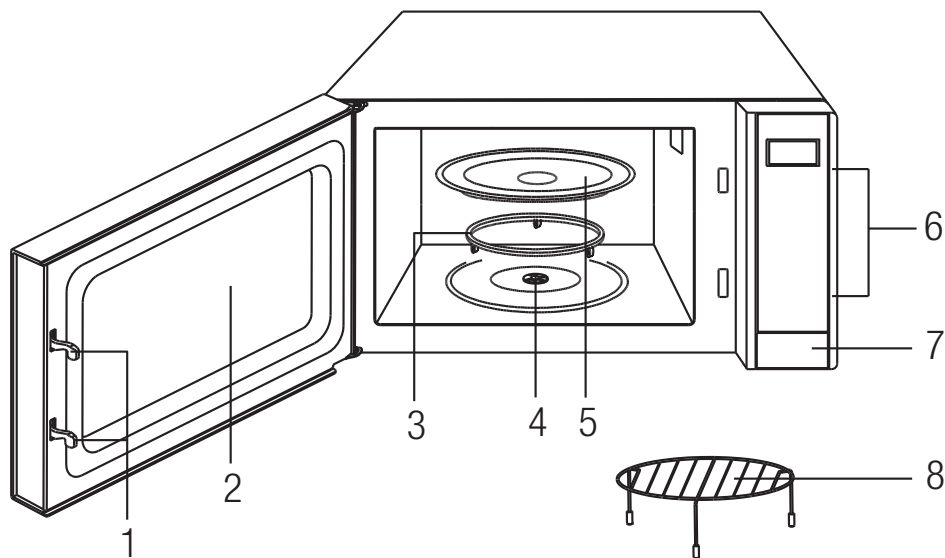
1.4 Information sur l'emballage



L'emballage du produit est composé de matériaux recyclables, conformément à notre réglementation nationale. Ne jetez pas les éléments d'emballage avec les déchets domestiques et autres déchets. Déposez-les dans un des points de collecte d'éléments d'emballage que vous indiquera l'autorité locale dont vous dépendez.

2 Votre four à micro-ondes

2.1 Aperçu



Commandes et pièces

1. Dispositif de verrouillage de la porte
2. Fenêtre du four
3. Support du plateau tournant
4. Arbre du plateau tournant
5. Plateau en verre
6. Bandeau de commande
7. Bouton d'ouverture de porte
8. Grille

2.2 Données techniques

Norme électrique	230-240V~,50Hz 1400 W (Micro-ondes) 1000 W (Gril)
Puissance	900 W
Fréquence de fonctionnement	2450 MHz
Dimensions externes (H*W*D)	281*483*360 mm
Capacité du four	23 litres
Poids net	13.5 kg

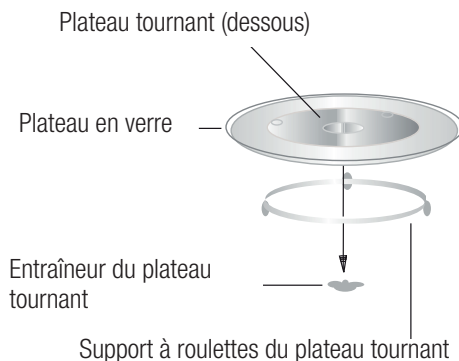
Modifications relatives à la technique et à la conception réservées.

Les inscriptions sur le produit ou les valeurs indiquées sur la documentation fournie avec le produit sont des valeurs obtenues dans des conditions de laboratoire conformément aux normes en vigueur. Ces valeurs peuvent varier selon l'utilisation de l'appareil et les conditions ambiantes. Les valeurs d'alimentation électrique sont testées à 240V.

2 Votre four à micro-ondes

2.3 Installation du plateau tournant

- Ne placez jamais le plateau en verre à l'envers. Il ne doit en aucun cas être bloqué.
- Utilisez toujours le plateau en verre et le support du plateau tournant pendant la préparation.
- Placez toujours les aliments et les récipients sur le plateau en verre pour la cuisson.
- En cas de fissure ou de cassure du plateau en verre ou du support du plateau tournant, contactez votre centre de services autorisé le plus proche.



3 Installation et raccordement

3.1 Installation

1. Assurez-vous de retirer tous les matériaux d'emballage sur la partie intérieure de la porte.



AVERTISSEMENT : Vérifiez que le four ne présente aucun dommage, notamment une porte mal alignée ou pliée, des joints de porte et une surface d'étanchéité endommagés, des charnières de porte brisées ou desserrées, des verrous et des bosses à l'intérieur de la cavité ou sur la porte. En cas de dommage, ne faites pas fonctionner le four et contactez un personnel qualifié.

2. Ce four à micro-ondes doit être placé sur une surface plane et stable pour supporter son poids et les aliments les plus lourds susceptibles d'être cuits au four.
3. Ne placez pas le four dans un endroit où la chaleur, l'humidité ou l'humidité élevée sont générées, ou près de matériaux combustibles.

4. Pour un fonctionnement correct, le four doit disposer d'un débit d'air suffisant. Prévoyez au moins 20 cm d'espace libre nécessaire au-dessus de la surface supérieure du four et 5 cm des deux côtés. La plaque arrière du four à micro-ondes doit être placée près du mur. Ne couvrez ou ne bloquez aucun orifice de l'appareil. Ne retirez pas les pieds.

5. Ne faites pas fonctionner le four tant que le plateau en verre, le support de rouleaux et l'axe ne sont pas dans leur position correcte.
6. Assurez-vous que le cordon d'alimentation n'est pas endommagé et qu'il ne passe pas sous le four ou sur une surface chaude ou tranchante.
7. La prise doit être facilement accessible afin de pouvoir aisément débrancher votre appareil en cas d'urgence.
8. N'utilisez pas le four à l'extérieur.

3.2 Interférences radio

Le fonctionnement du four à micro-ondes peut créer des interférences avec la radio, la télévision ou d'autres appareils similaires.

3 Installation et raccordement

En cas d'interférences, il est possible de les réduire ou de les supprimer en prenant les mesures suivantes :

1. Nettoyez la porte et la surface d'étanchéité du four.
2. Réorientez l'antenne de réception de la radio ou de la télévision.
3. Déplacez le four à micro-ondes par rapport au récepteur.
4. Éloignez le four à micro-ondes du récepteur.
5. Branchez le four à micro-ondes sur une autre prise, de sorte que le four et le récepteur se trouvent sur des circuits de dérivation différents.

3.3 Instructions de mise à la terre

Cet appareil doit être branché à une borne de mise à la terre. Ce four est équipé d'un cordon muni d'un câble de masse et d'une fiche de mise à la terre. Branchez la fiche sur une prise correctement installée et mise à la terre. En cas de court-circuit électrique, la mise à la terre réduit le risque de choc électrique en offrant au courant électrique un fil d'évacuation. Il est recommandé de prévoir un circuit séparé desservant uniquement le four. L'utilisation d'une haute tension est dangereuse et peut provoquer un incendie ou tout autre accident causant des dommages au four.



AVERTISSEMENT : L'utilisation incorrecte de la fiche de mise à la terre peut entraîner un risque de choc électrique.



Si vous avez des questions relatives à la mise à la terre ou aux instructions en matière d'électricité, consultez un électricien qualifié ou un personnel de service.



Ni le fabricant ni le revendeur ne peuvent être tenus responsables des dommages au four ou des blessures corporelles résultant du non-respect des procédures de raccordement électrique.

Les fils de ce câble principal sont colorés selon le code suivant :

Vert et jaune = MISE À LA TERRE

Bleu = NEUTRE

Marron = PHASE

3.4 Avant d'appeler le service après-vente

Si le four ne fonctionne pas :

1. Vérifiez que le four est bien branché. Si ce n'est pas le cas, retirez la fiche de la prise de courant, attendez 10 secondes et rebranchez-la solidement.
2. Vérifiez si un fusible de circuit a sauté ou si un disjoncteur principal s'est déclenché. Si ceux-ci semblent fonctionner correctement, testez la prise en y branchant un autre appareil.
3. Vérifiez que le panneau de commande est programmé correctement et que la minuterie est réglée.
4. Vérifiez que la porte est bien fermée en activant le système de verrouillage de sécurité de la porte. Si vous ne le faites pas, alors le four ne recevra pas l'énergie micro-ondes.

S'IL Y A UNE DES MESURES CI-DESSUS NE CORRIGE LA SITUATION, CONTACTEZ UN TECHNICIEN QUALIFIÉ. N'ESSAYEZ PAS DE RÉGLER OU DE RÉPARER LE FOUR DE VOUS-MÊME.

3 Installation et raccordement

3.5 Guide d'ustensiles

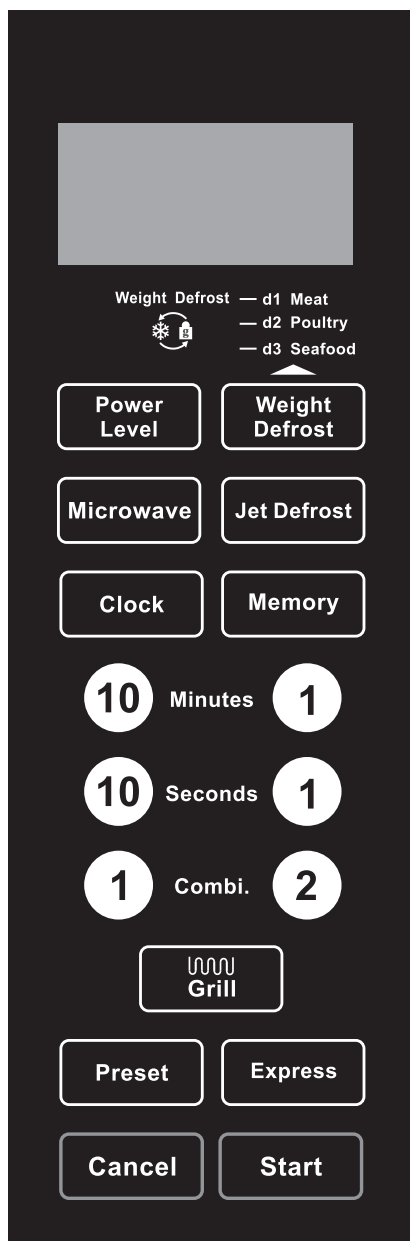
1. Les micro-ondes ne peuvent pas pénétrer le métal. Utilisez uniquement les ustensiles qui conviennent pour une utilisation au micro-ondes. Les récipients métalliques pour aliments et boissons sont interdits pendant la cuisson au micro-ondes. Cette exigence ne s'applique pas si le fabricant spécifie la taille et la forme des récipients métalliques qui conviennent pour la cuisson au micro-ondes.
2. Les micro-ondes ne traversent pas le métal, par conséquent n'utilisez pas d'ustensiles métalliques ou des plats avec des bordures métalliques.
3. Lorsque vous cuisinez au micro-ondes, n'utilisez pas des papiers recyclés car ils pourraient contenir de petits fragments métalliques pouvant causer des étincelles ou un incendie.
4. Il est recommandé d'utiliser des plats ronds ou ovales plutôt que des plats carrés ou allongés, car les aliments dans les coins ont tendance à trop cuire.
5. Vous pouvez utiliser des bandes étroites de papier d'aluminium pour éviter que les zones exposées ne cuisent trop. Mais faites attention à ne pas trop en utiliser et gardez une distance de 1 pouce (2,54 cm) entre le papier d'aluminium et la cavité.

La liste ci-dessous est un guide général pour vous aider à choisir les bons ustensiles.

Ustensiles de cuisine	Micro-ondes	Gril	Cuisson combinée
Verre thermorésistant	Oui	Oui	Oui
Verre non thermorésistant	Non	Non	Non
Céramiques thermorésistantes	Oui	Oui	Oui
Plat en plastique pour le micro-ondes	Oui	Non	Non
Essuie-tout	Oui	Non	Non
Plateau métallique	Non	Oui	Non
Plaque de cuisson	Non	Oui	Non
Récipient en aluminium et papier d'aluminium	Non	Oui	Non

4 Fonctionnement

4.1 Panneau de commande



Écran d'affichage

Il affiche le temps de cuisson, le niveau de puissance, les programmes et l'heure.

Power level - Niveau de puissance

Appuyez sur ce bouton pour régler le niveau de puissance de la cuisson du micro-ondes.

Weight Defrost - Décongélation selon le poids

Appuyez sur ce bouton pour programmer la décongélation selon le poids.

Microwave - Micro-ondes

Appuyez sur ce bouton pour définir un programme de cuisson du micro-ondes.

Jet Defrost - Décongélation rapide

Appuyez sur ce bouton pour programmer la décongélation selon le temps.

Clock - Horloge

Appuyez sur ce bouton pour régler l'horloge du four.

Memory - Mémoire

Appuyez sur ce bouton pour définir un programme de cuisson en plusieurs étapes.

Touches numériques (10 minutes 1, 10 secondes 1)

Appuyez pour régler l'horloge, le temps de cuisson ou entrer le poids des aliments.

Combi.1/Combi.2

Appuyez sur ce bouton pour définir un programme de cuisson combiné.

Grill

Appuyez sur ce bouton pour définir un programme de cuisson du gril.

Preset - Préréglage

Appuyez sur ce bouton pour régler la fonction de préréglage.

4 Fonctionnement

Express

Il suffit d'appuyer sur ce bouton plusieurs fois pour régler le temps de cuisson et cuire immédiatement à pleine puissance.

Cancel - Annulation

Efface tous les réglages précédents avant de définir une autre fonction.

Appuyez une fois sur ce bouton pour arrêter temporairement la cuisson ou deux fois pour l'annuler.

Start - Démarrage

Appuyez sur ce bouton pour lancer le programme de cuisson.

4.2 Réglage des commandes du four

- Lorsque le four est branché pour la première fois, un bip retentit et l'écran affiche « 1:01 » et « ⌚ ».
- Si le réglage est interrompu pendant environ 20 secondes, le four revient en mode veille.
- Pendant la cuisson, si vous appuyez une fois sur la touche « Annuler », le programme sera mis en pause, puis appuyez sur la touche « Démarrage » pour reprendre, mais si vous appuyez deux fois sur la touche « Annuler », le programme sera annulé.
- Une fois la cuisson terminée, l'écran affiche « Fin » avec un son toutes les deux minutes jusqu'à ce que l'utilisateur appuie sur une touche ou ouvre la porte.

4.3 Réglage de l'horloge

Cette horloge a un format de 12 ou 24 heures. Vous pouvez choisir de régler l'heure en cycle de 12 ou 24 heures en appuyant sur la touche « Horloge ».

1. En mode veille, appuyez sur la touche « Horloge » une ou deux fois pour choisir une horloge de 12 ou 24 heures.
2. Utilisez les touches numériques pour régler l'heure.

3. Appuyez sur la touche « Horloge » pour confirmer.



Pendant la cuisson, vous pouvez vérifier l'heure en cours en appuyant sur la touche « Horloge ».

4.4 Cuisson express

1. Utilisez cette fonctionnalité pour facilement programmer le four à une puissance de cuisson de 100 %.
2. En mode veille, appuyez sur la touche « Express » en succession rapide pour régler le temps (chaque pression pendant 30 secondes à 10 minutes).
3. Le four démarre automatiquement la cuisson à pleine puissance.
4. Pendant la cuisson, vous pouvez augmenter le temps de cuisson en appuyant sur la touche « Express ».

4.5 Cuisson au micro-ondes

1. En mode veille, appuyez plusieurs fois sur la touche « Niveau de puissance » pour régler le niveau de puissance de la cuisson.
2. Appuyez une fois sur la touche « Micro-ondes », puis utilisez les touches numériques pour entrer le temps de cuisson. Le temps maximal est de 99 minutes et 99 secondes.
3. Appuyez sur la touche « Démarrer » pour confirmer.

Appuyez sur la touche « Niveau de puissance » pour régler le niveau de puissance de la cuisson :

Appuyez sur « Niveau de puissance »	Niveau de puissance
Une fois	100 %
Deux fois	80 %
3 fois	60 %

4 Fonctionnement

4 fois	40 %
5 fois	20 %
6 fois	0 %



Pendant la cuisson, vous pouvez vérifier le niveau de puissance en cours en appuyant sur la touche « Niveau de puissance ». Si vous souhaitez cuisiner à pleine puissance, sautez la première étape.

4.6 Grill

1. En mode veille, appuyez une fois sur la touche « Grill ».
2. Utilisez les touches numériques pour définir le temps de cuisson. Le temps maximal est de 99 minutes et 99 secondes.
3. Appuyez sur la touche « Démarrer » pour confirmer.

4.7 Combinaison

1. En mode veille, appuyez une fois sur la touche « Combi.1 » ou « Combi.2 ».
2. Utilisez les touches numériques pour définir le temps de cuisson. Le temps maximal est de 99 minutes et 99 secondes.
3. Appuyez sur la touche « Démarrer » pour confirmer.

4.8. Décongélation rapide

1. En mode veille, appuyez une fois sur la touche « Décongélation rapide ».
2. Utilisez les touches numériques pour définir le temps de dégivrage. Le temps maximal est de 99 minutes et 99 secondes.
3. Appuyez sur la touche « Démarrer » pour confirmer.

4.9. Décongélation selon le poids

Le temps de décongélation et le niveau de puissance sont automatiquement définis une fois que la catégorie et le poids des aliments sont programmés

1. En mode veille, appuyez plusieurs fois sur « Décongélation selon le poids » pour sélectionner le code de l'aliment.
2. Utilisez les touches numériques pour sélectionner le poids des aliments.
3. Appuyez sur la touche « Démarrer » pour confirmer.

Description du code de décongélation selon le poids :

Appuyez sur « Dégivrage par poids »	Écran	Type d'aliments	Poids maximal
Une fois	d1	Viande	2 300 g
Deux fois	d2	Volaille	2 300 g
3 fois	d3	Crustacés	900 g

10 minutes = 1 kg	1 minute = 100 g
10 secondes = 10 g	1 seconde = 1 g



Pendant la cuisson, le système se met en pause pour vous rappeler de retourner les aliments, puis appuyez sur la touche « Démarrage » pour reprendre. L'utilisateur doit entrer le poids correct, sinon le four à micro-ondes ne démarrera pas.

4.10 Préréglage

La fonction de préréglage permet au four de démarrer ultérieurement.

1. Définissez un programme de cuisson (sauf le programme de dégivrage rapide, de cuisson express et de dégivrage par poids).
2. Appuyez une fois sur la touche « Préréglage ».

4 Fonctionnement

- Utilisez les touches numériques pour définir le temps de pré-réglage.
- Appuyez sur « Démarrer » pour lancer le démarrage.



Vous pouvez vérifier le temps de cuisson pendant la cuisson en appuyant sur la touche «Pré-réglage». Le compte à rebours s'affiche pendant 5 secondes, puis appuyez sur la touche « Annuler » pendant 5 secondes pour annuler le programme.

4.11 Cuisson en plusieurs étapes

Vous pouvez programmer le four pour un maximum de 2 séquences de cuisson automatiques.

Exemple : Supposons que vous souhaitiez régler le programme de cuisson suivant.

Cuisson au micro-ondes



Cuisson au micro-ondes (avec un niveau de puissance inférieur)

- Saisissez la première étape du programme de cuisson au micro-ondes. N'appuyez pas sur la touche « Démarrage ».
- Appuyez une fois sur la touche « Mémoire ».
- Saisissez la deuxième étape du programme de cuisson au micro-ondes.
- Appuyez sur « Démarrer » pour lancer le démarrage.



La cuisson express, la décongélation rapide et la décongélation selon le poids ne peuvent pas être réglés dans un programme de cuisson à plusieurs étapes.

4.12 Sécurité enfant

Cette fonction permet d'éviter une utilisation non contrôlée du four par les enfants.

Pour définir la sécurité enfant : En mode veille, s'il ne fonctionne pas pendant une minute, le four se met automatiquement en mode « sécurité enfant » et le voyant lumineux de verrouillage s'allume. En mode verrouillage, toutes les touches sont désactivées.

Pour annuler la sécurité enfant : En mode sécurité enfant, ouvrez ou fermez la porte du four pour annuler le programme.

4.13 Techniques de cuisson

- Disposez les aliments correctement. Orientez la partie la plus épaisse des aliments vers l'extérieur du plat.
- Observez le temps de cuisson. Programmez le temps le plus court indiqué dans le tableau et prolongez éventuellement la cuisson, si nécessaire. En sélectionnant un temps de cuisson trop long, il se peut que vous constatiez un dégagement de fumée ou que les aliments brûlent.
- Couvrez les aliments pendant la cuisson. Vous éviterez ainsi des éclaboussures dans l'enceinte de cuisson et obtiendrez une cuisson homogène.
- Retournez les aliments une fois pour accélérer le processus de cuisson des aliments tels que le poulet et les hamburgers. Les gros aliments comme les rôtis doivent être retournés au moins une fois.
- À mi-cuisson, redispousez les aliments tels que les boulettes de viande en plaçant ceux qui sont situés en bas vers le haut et ceux du centre vers l'extérieur du plat.

5 Nettoyage et entretien

5.1 Nettoyage et entretien



AVERTISSEMENT : N'utilisez jamais d'essence, de solvants ou de nettoyants abrasifs, d'objets métalliques ou de brosses dures pour nettoyer l'appareil.



AVERTISSEMENT : Ne trempez jamais l'appareil ou son cordon d'alimentation dans de l'eau ou dans tout autre liquide.

1. Éteignez le four et débranchez la fiche d'alimentation de la prise murale avant le nettoyage.
2. Maintenez l'intérieur du four propre. Lorsque des éclaboussures d'aliments ou des liquides renversés se déposent sur les parois du four, essuyez-les à l'aide d'un chiffon humide. Utilisez un détergent doux si le four est très sale. Évitez l'utilisation d'aérosol et d'autres nettoyants abrasifs, car ils peuvent tacher, rayer ou ternir la surface de la porte.
3. Nettoyez les surfaces extérieures avec un chiffon humide. Pour éviter d'endommager les pièces fonctionnelles à l'intérieur du four, ne laissez pas l'eau s'infiltrer par les orifices de ventilation.
4. Essuyez régulièrement les deux côtés de la porte et de la fenêtre, les joints d'étanchéité de la porte et les pièces adjacentes avec un chiffon humide pour nettoyer tout déversement ou toute éclaboussure. N'utilisez pas de nettoyants abrasifs.
5. Utilisez un nettoyant à la vapeur.
6. Ne laissez pas le panneau de commande se mouiller. Nettoyez avec un chiffon humide et doux. Lorsque vous nettoyez le panneau de commande, laissez la porte du four ouverte pour éviter que le four ne s'allume accidentellement.
7. Si de la vapeur s'accumule à l'intérieur ou autour de la porte du four, essuyez-la à l'aide d'un chiffon doux. Cela se produit lorsque le four à micro-ondes fonctionne dans des conditions d'extrême humidité. Ce phénomène est normal.
8. Il est parfois nécessaire de retirer le plateau en verre pour le nettoyer. Lavez le plateau dans de l'eau tiède savonneuse ou au lave-vaisselle.
9. Nettoyez régulièrement l'anneau de rouleau et le plancher du four pour éviter des bruits excessifs. Essuyez simplement la surface inférieure du four à l'aide d'un détergent doux. Vous pouvez laver l'anneau de rouleau dans de l'eau tiède savonneuse ou au lave-vaisselle. Lorsque vous retirez l'anneau de rouleau du fond de la cavité pour le nettoyer, veillez à le replacer dans la bonne position.
10. Pour éliminer les odeurs de votre four, mélangez une tasse d'eau avec le jus et le zeste d'un citron dans un bol profond utilisable au micro-ondes et placez le bol dans le four pendant 5 minutes. Nettoyez soigneusement et séchez ensuite en vous servant d'un chiffon doux.
11. Lorsqu'il est nécessaire de remplacer la lampe du four, veuillez consulter un vendeur pour la faire remplacer.
12. Le four doit être régulièrement nettoyé et tous les dépôts d'aliments doivent être retirés. Tout défaut de conservation du four dans un état propre peut entraîner la détérioration de sa surface, ce qui en retour pourrait affecter la durée de vie de l'appareil et éventuellement des situations dangereuses.
13. Ne jetez pas cet appareil avec les ordures ménagères ; il doit être mis au rebut dans le centre de collecte prévu à cet effet par les autorités municipales.
14. Lorsque vous utilisez le four à micro-ondes avec fonction gril pour la première fois, il peut produire de légères fumées et odeurs.

5 Nettoyage et entretien

Ce phénomène est normal, car le four comporte une plaque d'acier recouverte d'huile de lubrification, et lorsqu'il est neuf, il produit des fumées et des odeurs générées par la combustion de l'huile lubrification. Ce phénomène disparaît après une période d'utilisation.

5.2 Rangement

- Si vous ne comptez pas utiliser votre appareil pendant un certain temps, veuillez le ranger soigneusement.
- Veuillez également à ce que l'appareil soit débranché, complètement refroidi et entièrement sec.

- Conservez l'appareil dans un endroit frais et sec.
- Tenez l'appareil hors de la portée des enfants.

5.3 Manipulation et transport

- Pendant la manipulation et le transport, portez toujours l'appareil dans son emballage d'origine. L'emballage de l'appareil le protège des dommages physiques.
- Ne placez pas de charges lourdes sur l'appareil ou sur l'emballage. Cela pourrait l'endommager.
- Toute chute de l'appareil peut le rendre non opérationnel ou l'endommager de façon permanente.

6 Dépannage

Problème	Raison éventuelle	Solution
Le four ne démarre pas.	1) Le cordon d'alimentation n'est pas correctement enfiché.	Débranchez. Branchez ensuite après 10 secondes.
	2) Fusible grillé ou disjoncteur activé.	Remplacez le fusible ou le disjoncteur (réparé par un professionnel de notre entreprise).
	3) Problème avec la sortie.	Testez la sortie avec d'autres appareils électriques.
Le four ne chauffe pas.	4) La porte n'est pas correctement fermée.	Fermez correctement la porte.
Le plateau tournant en verre fait du bruit lorsque le four est en marche	5) Le plateau tournant et le bas du four sont sales.	Reportez-vous à la section « Nettoyage et Entretien » pour le nettoyage des pièces sales.

Arçelik A.Ş.
Karaağaç Caddesi No: 2-6, 34445,
Sütlüce, İstanbul, Türkiye

www.beko.com