

# Ninebot KickScooter

## User Manual



Producent zastrzega sobie prawo do wprowadzania zmian w produkcji, aktualizacji oprogramowania i aktualizacji tej instrukcji obsługi w dowolnym momencie. Odwiedź stronę [www.segway.com](http://www.segway.com) lub sprawdź aplikację, aby pobrać najnowsze materiały użytkownika. Musisz zainstalować aplikację, aktywować swojego KickScootera i uzyskać najnowsze aktualizacje i zasady bezpieczeństwa.

[www.segway.com](http://www.segway.com)

K014P0879-A0



## Contents

1 Riding Safety	02
2 Packing List	04
3 Diagram	05
4 Assembling Your KickScooter	06
5 Installing a Second Battery Pack (optional)	07
6 First Ride	08
7 Charging	09
8 Learning to Ride	09
9 Warnings	11
10 Folding and Carrying	15
11 Maintenance	15
12 Specifications	17
13 Certifications	20
14 Trademark and Legal Statement	23
15 Contacts	23

## Thanks for choosing the Ninebot KickScooter!

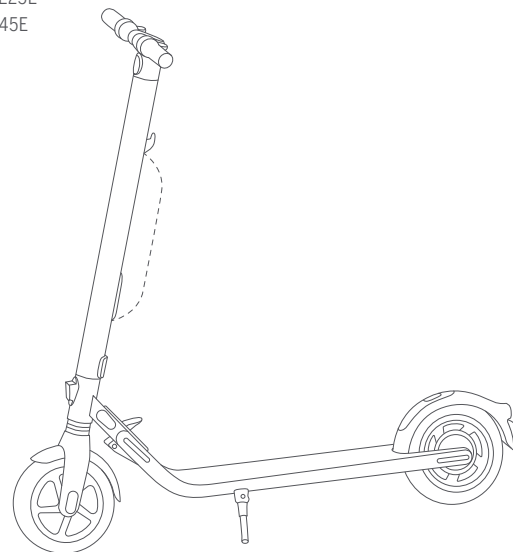
Thanks for choosing the Ninebot KickScooter (hereinafter referred to as KickScooter)! Your KickScooter is a fashionable transportation device with mobile app, allowing you to connect with other riders. Enjoy your ride and interact with riders worldwide!

This manual is applicable to the following models:

E22 series: E22 / E22D / E22E

E25 series: E25A / E25D / E25E

E45 series: E45 / E45D / E45E



### ▲ WARNING!

Always use both electronic brake and foot brake for emergency stopping. Otherwise you risk falls and/or collisions from not achieving the max. braking capability.

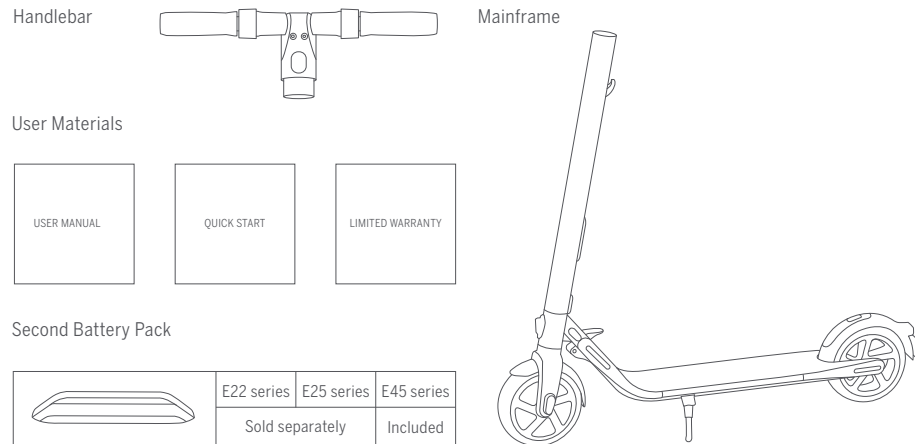
\* The picture is for reference only. Please refer to the actual product for more details.

# 1 Riding Safety

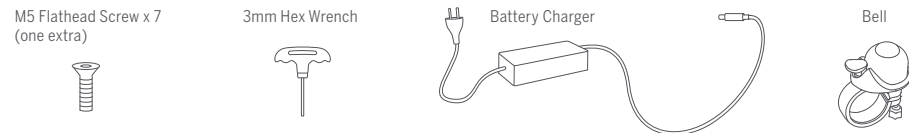
1. The KickScooter is a recreational product. Before mastering riding skills, you need to practice. Neither Ninebot Inc. (means Ninebot (Beijing) Tech Co., Ltd. and its subsidiaries and affiliates) nor Segway Inc. is responsible for any injuries or damage caused by a rider's inexperience or failure to follow the instructions in this document.
2. Please understand that you can reduce the risk by following all the instructions and warnings in this manual, but you cannot eliminate all the risks. Remember that whenever you ride the KickScooter you risk injury from loss of control, collisions, and falls. When entering into public spaces always comply with the local laws and regulations. As with other vehicles, faster speeds require longer braking distance. Sudden braking on low traction surfaces could lead to wheel slip, or falls. Be cautious and always keep a safe distance between you and other people or vehicles when riding. Be alert and slow down when entering unfamiliar areas.
3. Always wear a helmet when riding. Use an approved bicycle or skateboard helmet that fits properly with the chin strap in place, and provides protection for the back of your head.
4. Do not attempt your first ride in any area where you might encounter children, pedestrians, pets, vehicles, bicycles, or other obstacles and potential hazards.
5. Respect pedestrians by always yielding the right of way. Pass on the left whenever possible. When approaching a pedestrian from the front, stay to the right and slow down. Avoid startling pedestrians. When approaching from behind, announce yourself and slow down to walking speed when passing. Please obey local traffic laws and regulations if situation is different.
6. In places without laws, comply with the safety guidelines outlined in this manual. Neither Ninebot Inc. nor Segway Inc. is responsible for any property damage, personal injury/death, accidents, or legal disputes caused by violations of the safety instructions.
7. Do not allow anyone to ride your KickScooter on his/her own unless they have carefully read this manual and followed the New Rider Tutorial in the App. The safety of new riders is your responsibility. Assist new riders until they are comfortable with the basic operation of the KickScooter. Make sure each new rider wears a helmet and other protective gear.
8. Before each ride check for loose fasteners and damaged components. If the KickScooter makes abnormal sounds or signals an alarm, immediately stop riding. Diagnose your KickScooter via the Segway-Ninebot App and call your dealer/distributor for service.
9. Be alert! Scan both far ahead and in front of your KickScooter — your eyes are your best tool for safely avoiding obstacles and low traction surfaces (including, but not limited to, wet ground, loose sand, loose gravel, and ice).
10. To reduce risk of injury, you must read and follow all "CAUTION" and "WARNING" notices in this document. Do not ride at an unsafe speed. Under no circumstance should you ride on roads with motor vehicles. The manufacturer recommends riders be 14+ years old. Always follow these safety instructions:

- A. People who should not ride the KickScooter include:
    - i. Anyone under the influence of alcohol or drugs.
    - ii. Anyone who suffers from disease that puts them at risk if they engage in strenuous physical activity.
    - iii. Anyone who has problems with balance or with motor skills that would interfere with their ability to maintain balance.
    - iv. Anyone whose weight is outside the stated limits (see Specifications).
    - v. Pregnant women.
  - B. Riders under the age of 18 years old should ride under adult supervision.
  - C. Comply with local laws and regulations when riding this product. Do not ride where prohibited by local laws.
  - D. To ride safely, you must be able to clearly see what is in front of you and you must be clearly visible to others.
  - E. Do not ride in the snow, in the rain, or on roads which are wet, muddy, icy, or that are slippery for any reason. Do not ride over obstacles (sand, loose gravel, or sticks). Doing so could result in a loss of balance or traction and could cause a fall.
11. Do not attempt to charge your KickScooter if it, the charger, or the power outlet is wet.
  12. As with any electronic device, use a surge protector when charging to help protect your KickScooter from damage due to power surges and voltage spikes. Only use the Segway supplied charger. Do not use a charger from any other different product models.
  13. Use only Ninebot or Segway approved parts and accessories. Do not modify your KickScooter. Modifications to your KickScooter could interfere with the operation of the KickScooter, result in serious injury and/or damage, and void the Limited Warranty.
  14. Children should not play with the KickScooter or parts of it nor should cleaning or maintenance be done by children. The use of the machine results in the transmission of vibrations throughout the driver's body.
  15. Always place the KickScooter on its stand on a flat and stable surface. The KickScooter must be placed with the stand against the slope to prevent it from tipping over. Never place the KickScooter with the front facing down the slope, as the stand may close and tip the machine. Once the KickScooter is on its stand, check its stability to avoid any risk of falling (by slip, wind or slight jolt). Do not park the KickScooter in a busy area, but rather along a wall. If possible, always choose to park your KickScooter on flat ground.
  16. For a better driving experience, it is recommended to conduct a regular maintenance of the product.
  17. Please read the user manual before charging the battery.
  18. Do not touch the brake system, it could cause injuries.
  19. The A-weighted emission sound pressure level is less than 70 dB(A). The mechanical vibrations transmitted by the KickScooter are less than 2,5 m/s<sup>2</sup>.

## 2 Packing List



## Accessories

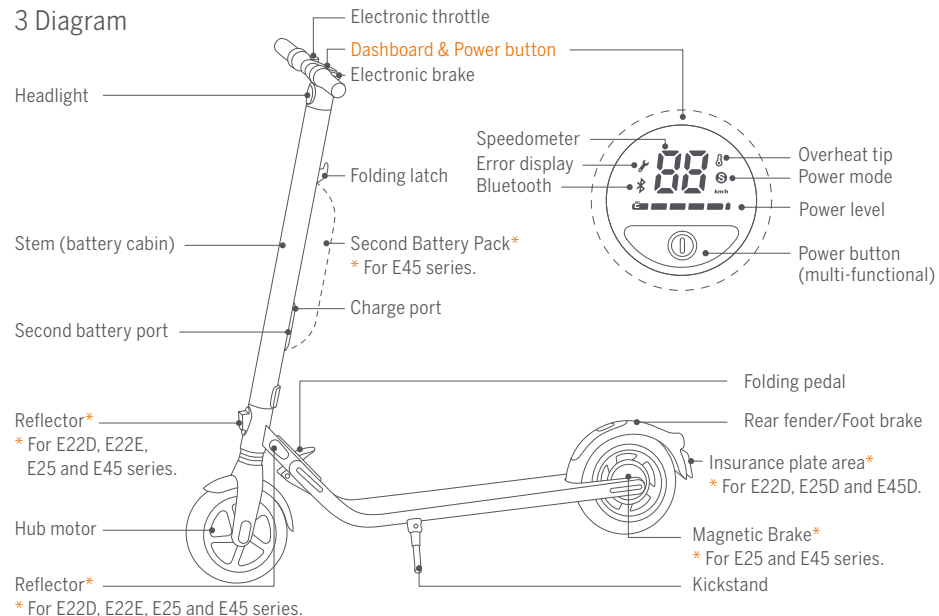


When unboxing your KickScooter, please verify that the above items are included in the package. If any components are missing, please contact your dealer/distributor or nearest service center (see Contacts in the user manual). After verifying that all components are present and in good condition, you can assemble your new KickScooter.

Please retain the box and packaging materials in case you need to ship your KickScooter in the future.

Remember to power off your KickScooter and unplug the charge cable before assembling, mounting accessories, or cleaning the mainframe.

## 3 Diagram



### Dashboard & Power button

Speedometer: Indicates the current speed. Also displays error codes when faults are detected.

Battery level: Indicates the remaining battery level with 5 bars. Each bar equates to approximately 20% power level.

Power mode:

- Red "S" icon: Sport mode (maximum power/speed).
- White "S" icon: Standard mode (moderate power/speed).
- No "S" icon: Speed limit mode (minimum power/speed).

Bluetooth: A blinking Bluetooth icon indicates that the vehicle is ready to connect. A solid Bluetooth icon indicates that the vehicle is connected to a mobile device.

Power button: Short press to power on. Long press to power off. When powered on, press to turn on/off the headlight. Double-press to change power mode.

Overheat tip: The thermometer icon always on indicates that the battery temperature has reached 122°F (50°C). At this point, the vehicle cannot accelerate normally and may not be charged. Do not use it until the temperature is restored to normal range.

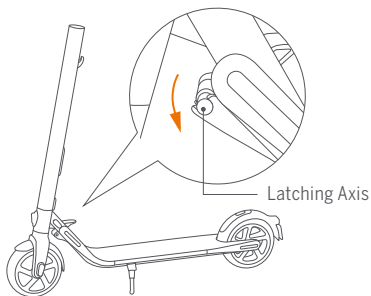
Error display: The lit wrench icon indicates the scooter error.



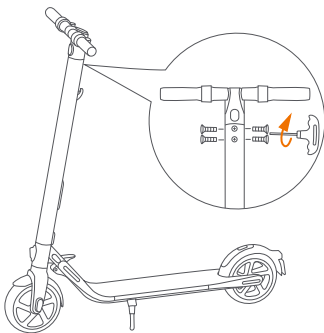
## 4 Assembling Your KickScooter

1. Unfold the stem and push it until you hear a click. Flip up the folding pedal. Then unfold the kickstand to support the scooter.

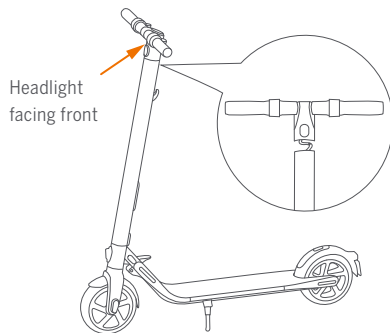
**Note:** Confirm that the latching axis on the folding mechanism is secured correctly.



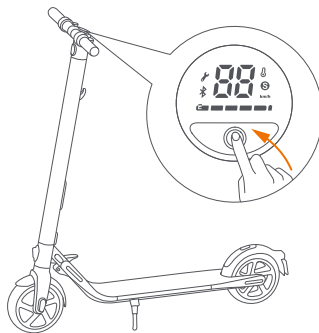
3. Install six screws (two on each side) with the included hex wrench.



2. Firmly connect the wires inside the handlebar and the stem. Slide the handlebar onto the stem. Be aware of the correct orientation.



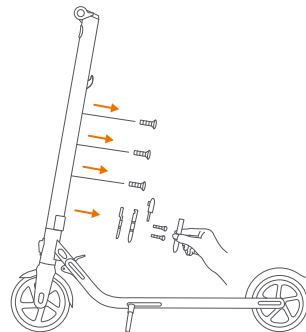
4. Verify that your KickScooter powers on and off.



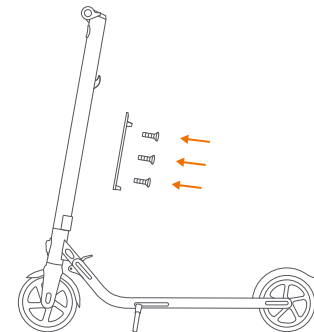
## 5 Installing a Second Battery Pack (optional)

**Warning:** please use the screws provided with this product only.

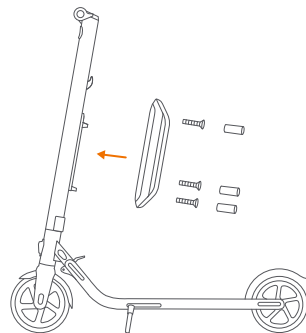
1. Remove the three screws on the stem. Then remove the cover near the charge port and remove the M3 screw.



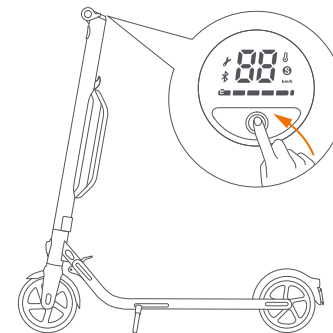
2. Install the rail with the M4 (10mm) screws (3 pcs), provided with this product. Please make sure it is properly fixed.



3. Install the external battery on the rail and fix it with the M4 (20mm) screws (2 pcs) and M3 screw (1 pcs), provided with this product. After they are properly installed, block the screw holes with the rubber stopper.



4. Verify that your KickScooter powers on and off.



## 6 First Ride

⚠ There are safety risks when learning to ride the KickScooter. You must read the Riding Safety via the App before your first ride.



Segway-Ninebot App

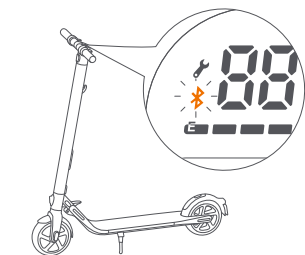
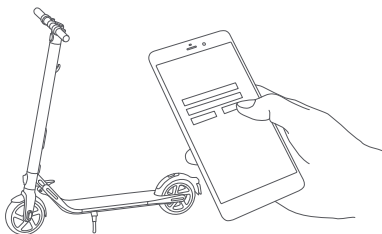
For your safety, your new KickScooter is not activated and will beep occasionally after POWER ON.

Until activated, the KickScooter maintains a very low riding speed, and can not perform with full function. Install the Segway-Ninebot App on your mobile device (with Bluetooth 4.0 and above), connect to the KickScooter with Bluetooth, and follow the App instructions to activate your KickScooter and enjoy the full performance.

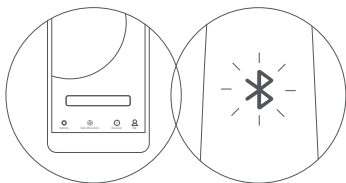
Scan the QR code to download the App (iOS 9.0 and above, Android™ 4.3 and above).

1 Install the Segway-Ninebot App and register/login.

2 Power on the KickScooter. A blinking Bluetooth icon indicates the KickScooter is ready to connect.

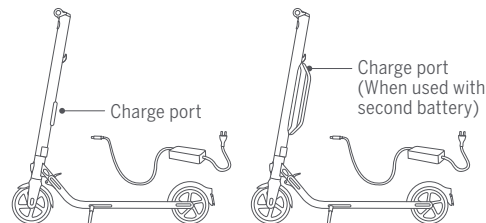


3 Click "Vehicle" → "Search vehicle" to connect to your KickScooter. The KickScooter will beep when it has successfully connected. The Bluetooth icon will stop blinking and remain illuminated.



4 Follow the App instructions to activate the KickScooter and learn how to ride safely. You can now start to use your KickScooter, check the status with the App, and interact with other users. Have fun!

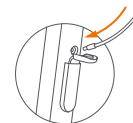
## 7 Charging



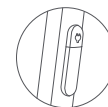
Charging steps:



Open the charge port cover.



Insert the charge plug.



Close the charge port cover when finished.

⚠ **WARNING**

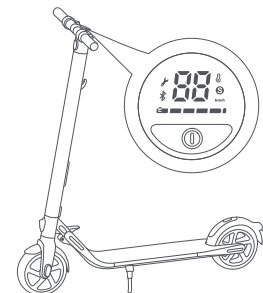
Do not connect the charger if the charge port or charge cable is wet. Do not charge or use your battery if it is damaged or see trace of water.

Your KickScooter is fully charged when the LED on the charger changes from red (charging) to green (trickle charge). Close the charge port cover when not charging.

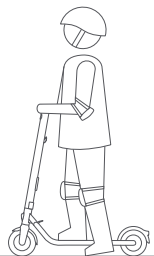
## 8 Learning to Ride



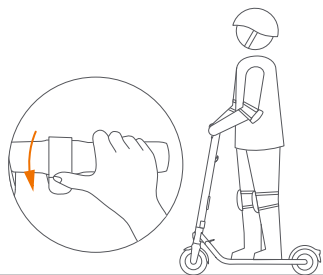
Wear an approved helmet and other protective gear to minimize any possible injury.



1. Power on the scooter and check the power level. Charge the scooter if the battery level is low.

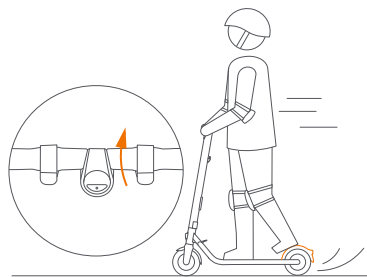


2. Stand on the foot deck with one foot and push off with another foot to start gliding.

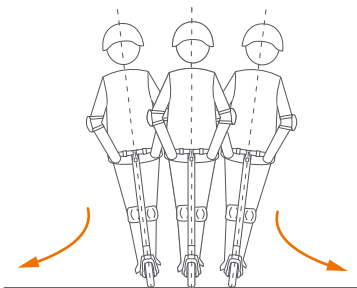


3. Put your other foot on the foot deck to keep both feet stable. Press the throttle to speed up when you are balanced.

Note: For your safety, the motor will not engage until the scooter reaches 2.5 mph (4 km/h).



4. Slow down by releasing the throttle. Squeeze the electronic brake and stamp the rear fender with foot at the same time for a sudden brake.



5. To turn, shift your body and turn the handlebar slightly.

**⚠ WARNING**

When braking rapidly, you risk serious injury due to loss of traction and falls. Maintain a moderate speed and look out for potential hazards.

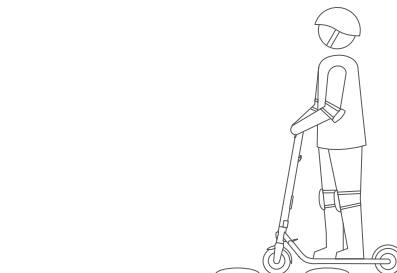
## 9 Warnings

**⚠ WARNING**

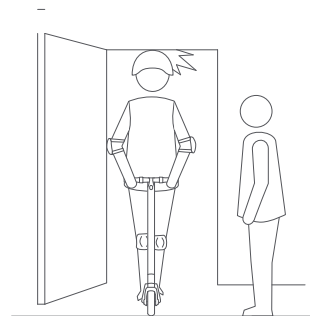
Failure to follow these instructions could lead to serious injury.



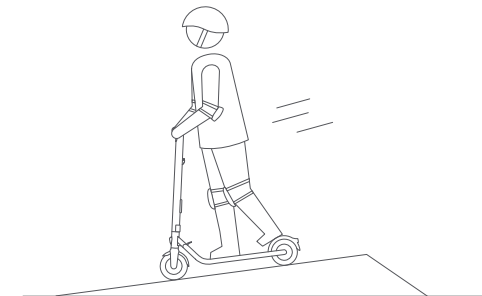
**⚠** DO NOT ride the scooter in the rain.



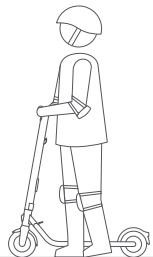
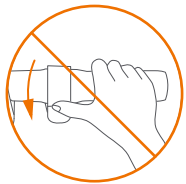
**⚠** Keep your speed between 3.1–6.2 mph (5–10 km/h) when you ride through speed bumps, elevator door stills, bumpy roads or other uneven surfaces. Slightly bend your knee to better adjust mentioned surfaces.



**⚠** Watch your head when passing through doorways.



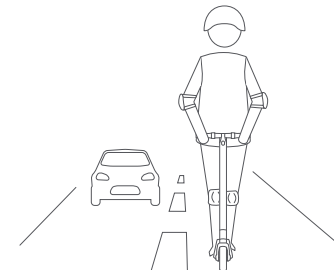
**⚠** Watch your speed when traveling downhill. Use both brakes together when traveling at high speed.



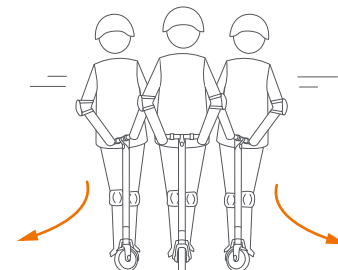
**!** DO NOT press the throttle when walking with the scooter.



**!** Avoid contacting obstacles with the tire/wheel.



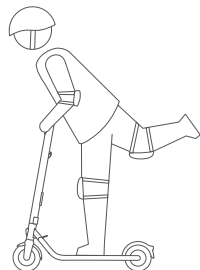
**!** DO NOT ride on public roads, motorways, or highways.



**!** DO NOT rotate the handlebar violently while driving at high speed.



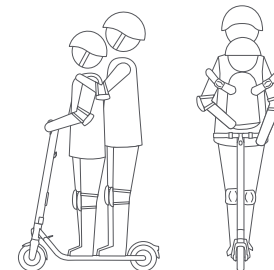
**!** DO NOT carry heavy objects on the handlebar.



**!** DO NOT ride the scooter with only one foot.



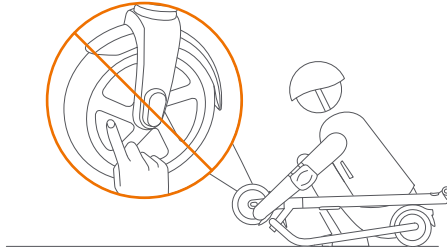
**!** Do not ride through puddles or any other (water) obstacles. In such a case please lower your speed and bypass the obstacle.



**!** The KickScooter is for one rider only. Do not ride with another person. Do not carry a child.



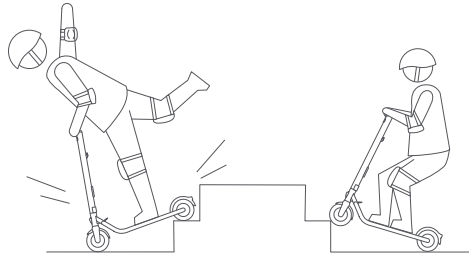
**⚠ DO NOT** step on the folding pedal while riding.



**⚠ DO NOT** touch the hub motor after riding because it can get hot.



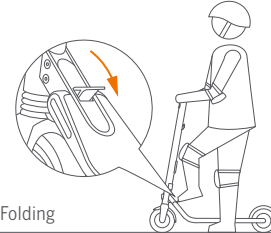
**⚠ DO NOT** take your hands off the handlebar while riding. Do not ride with one hand only.



**⚠ DO NOT** ride up and down stairs or jump over obstacles.

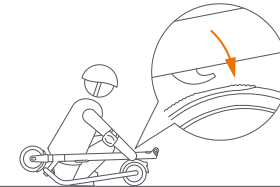
**⚠ WARNING**  
Always keep both hands on the handlebar or you risk serious injury due to loss of balance and falls.

## 10 Folding and Carrying

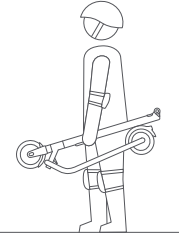


Folding

Step on the folding pedal while pushing the handlebar forward slightly.



Then fold the handlebar down until it locks into the rear fender.



When your KickScooter is folded up, simply lift it by the stem to carry.

## 11 Maintenance

### Cleaning and Storage

Use a soft, wet cloth to wipe the mainframe clean. Hard to remove dirt can be scrubbed with a toothbrush and toothpaste, then cleaned with a soft, wet cloth.

### NOTE

Do not wash your KickScooter with alcohol, gasoline, acetone, or other corrosive/volatile solvents. These substances may damage the appearance and internal structure of your KickScooter. Do not wash your KickScooter with a power washer or hose.

### ⚠ WARNING

Make sure the KickScooter is powered OFF, the charging cable is unplugged, and the rubber cap on the charge port is tightly sealed before cleaning; otherwise you may damage the electronic components.

Store your KickScooter in a cool, dry place. Do not store it outdoors for extended periods of time. Exposure to sunlight and temperature extremes (both hot and cold) will accelerate the aging process of the plastic components and may reduce battery life.

### Maintenance and removal of the battery

Do not remove the battery. Removing the battery is complicated and can alter the operation of the machine: You can contact an authorized repairer if the product is still guaranteed. If the product is not guaranteed you can contact any specialized repairer of your choice. You can ask for the list of the authorized repairers to the customer service available at [www.segway.com](http://www.segway.com). For any further question, you can contact the customer service available at [www.segway.com](http://www.segway.com).

Do not store or charge the battery at temperatures outside the stated limits (see Specifications). Do not puncture the battery. Refer to your local laws and regulations regarding battery recycling and/or disposal. A well maintained battery can perform well even after many miles of riding. Charge the battery after each ride and avoid draining the battery completely. When used at room temperature (70°F [22°C]) the battery range and performance is at its best; whereas using it at temperatures below 32°F (0°C) can decrease range and performance. Typically, at -4°F (-20°C) range can be half that of the same battery at 70°F (22°C). Battery range will recover when temperature rises. More details are available in the App.

### Replace the Tires

Tires supplied with the product are to be mounted on the wheel by a professional repairer. Removing the wheels is complicated and incorrect assembly can lead to instability and malfunctions:

- Please contact an authorized repairer if the product is still under manufacturer guarantee. You can ask for the list of the authorized repairers to the customer service available at [www.segway.com](http://www.segway.com).
- If the product is no longer under guaranteed you can contact any specialized repairer of your choice.
- Should you have questions, you can contact customer service available at [www.segway.com](http://www.segway.com).

### NOTE

Typically, a fully charged battery should retain charge for 120-180 days in Standby Mode. A low-power battery should retain charge for 30-60 days in Standby Mode. Remember to charge the battery after each use. Completely draining the battery may cause permanent damage to the battery. Electronics inside the battery record the charge-discharge condition of the battery; damage caused by over-discharge or under-discharge will not be covered by the Limited Warranty.

### ⚠ WARNING

Do not charge or use your battery if it is damaged or see trace of water. Do not attempt to disassemble the battery. Risk of fire. No user serviceable parts.

### ⚠ WARNING

Do not ride when the ambient temperature is outside the machine operation temperature (see Specifications) because low/high temperature will limit the maximum power/torque. Doing so could cause personal injury or property damage due to slips or falls.

### Others

The external flexible cable of this transformer cannot be replaced; if the cord is damaged, the transformer must be discarded and replaced by a new one. Should you have questions, you can contact customer service available at [www.segway.com](http://www.segway.com).

In case of accident or breakdown: Please contact an authorized repairer if the product is still under guarantee. If not, you can contact any specialized repairer of your choice. You can ask for the list of the authorized repairers to the customer service available at [www.segway.com](http://www.segway.com). For any question, please contact customer service available at [www.segway.com](http://www.segway.com).

Efforts have been made to simplify wording in the user manual for users. Where an action appears too complicated for a user, he is advised to contact an authorized or a specialized repairer or customer service.

## 12 Specifications

	Item	E22E/E22D	E22
Dimensions	Length x Width x Height	43.7 × 16.5 × 44.1 in (111 × 42 × 112 cm)	42.9 × 16.5 × 44.1 in (109 × 42 × 112 cm)
	folded: Length x Width x Height	44.9 × 16.5 × 14.2 in (114 × 42 × 36 cm)	44.5 × 16.5 × 14.2 in (113 × 42 × 36 cm)
Weight	Net Weight	Approx. 29.8 lbs (13.5kg)	
Rider	Payload	55–220 lbs (25–100 kg)	
	Recommended Age	14+ years	
	Required Height	3'11" – 6'6" (120–200 cm)	
Parameters	Max. Speed	12.4 mph (20 km/h)	
	Typical Range <sup>[1]</sup>	13.7 miles (22 km)	
	Max. Slope	15%	
	Traversable Terrain	asphalt/flat pavement; obstacles < 0.4 in (1 cm); gaps < 1.2 in (3 cm)	
	Operating Temperature	14–104°F (-10–40°C)	
	Storage Temperature	-4–122°F (-20–50°C)	
	IP Rating	IPX4	
	Duration of Charging	Approx. 3.5 h	
Battery	Nominal Voltage	36 V $\equiv$	
	Max. Charging Voltage	42 V $\equiv$	
	Charging Temperature	32–104°F (0–40°C)	
	Nominal Capacity	184 Wh	
	Battery Management System	Over-heating, short circuit, over-current, over-discharge and over-charge protection	
	Number of Batteries <sup>[2]</sup>	1	
Motor	Nominal Power	300 W, 0.3 kW	
	Output Power	71 W, 0.071 kW	
Charger	Input Voltage	100–240 V-	
	Output Voltage	42 V $\equiv$	
	Output Current	1.7 A	
Features	Brake Light	LED rear light	
	Riding Modes	Speed limit mode, Standard mode and Sport mode	
Tire	Tires	Material: non-pneumatic tires, synthetic rubber. Size: 9 inches	

[1] Typical Range: tested while riding under full power, 165 lbs (75 kg) load, 77°F (25°C), 60% of max. speed on average on pavement.

\* Some of the factors that affect range include: speed, number of starts and stops, ambient temperature, etc.

[2] All KickScooter models could install the second battery. Some of the parameters would change in this case.

	Item	E25D	E25E	E25A
Dimensions	Length x Width x Height	45.7 × 16.5 × 46.1 in (116 × 42 × 117 cm)		
	folded: Length x Width x Height	46.9 × 16.5 × 14.2 in (119 × 42 × 36 cm)		
Weight	Net Weight	31.5 lbs (14.3 kg)		
	Payload	55–220 lbs (25–100 kg)		
Rider	Recommended Age	14+ years		
	Required Height	3'11"–6'6" (120–200 cm)		
Parameters	Max. Speed	12.4 mph (20 km/h)	15.5 mph (25 km/h)	17.4 mph (28 km/h)
	Typical Range <sup>[1]</sup>	15.5 miles (25 km)		
	Max. Slope	15%		
	Traversable Terrain	asphalt/flat pavement; obstacles < 0.4 in (1 cm); gaps < 1.2 in (3 cm)		
	Operating Temperature	14–104°F (-10–40°C)		
	Storage Temperature	-4–122°F (-20–50°C)		
	IP Rating	IPX4		
	Duration of Charging	Approx. 4 h		
	Battery	Nominal Voltage	36 V ===	
Max. Charging Voltage		42 V ===		
Charging Temperature		32–104°F (0–40°C)		
Nominal Energy		215 Wh		
Nominal Capacity		5960 mAh		
Battery Management System		Over-heating, short circuit, over-current, over-discharge and over-charge protection		
Number of Batteries <sup>[2]</sup>		1		
Motor	Nominal Power	300 W, 0.3 kW		
	Output Power	71 W, 0.071 kW		
Charger	Input Voltage	100–240 V-		
	Output Voltage	42 V ===		
	Output Current	1.7 A		
	Brake Light	LED rear light		
Features	Shock Absorber	Front		
	Riding Modes	Speed limit mode, Standard mode and Sport mode		
	Ambient Light	/	Customizable colour	Customizable colour
	Tire	Tires Material: non-pneumatic tires, synthetic rubber. Size: 9 inches		

[1] Typical Range: tested while riding under full power, 165 lbs (75 kg) load, 77°F (25°C), 60% of max. speed on average on pavement.

\* Some of the factors that affect range include: speed, number of starts and stops, ambient temperature, etc.

[2] All KickScooter models could install the second battery. Some of the parameters would change in this case.

	Item	E45	E45D	E45E
Dimensions	Length x Width x Height	45.7 × 16.5 × 46.1 in (116 × 42 × 117 cm)		
	folded: Length x Width x Height	46.9 × 16.5 × 14.2 in (119 × 42 × 36 cm)		
Weight	Net Weight	33.1 lbs (15.0 kg)		
	Payload	55–220 lbs (25–100 kg)		
Rider	Recommended Age	14+ years		
	Required Height	3'11"–6'6" (120–200 cm)		
Parameters	Max. Speed	18.6 mph (30 km/h)	12.4 mph (20 km/h)	15.5 mph (25 km/h)
	Typical Range <sup>[1]</sup>	28.0 miles (45 km)		
	Max. Slope	15%		
	Traversable Terrain	asphalt/flat pavement; obstacles < 0.4 in (1 cm); gaps < 1.2 in (3 cm)		
	Operating Temperature	14–104°F (-10–40°C)		
	Storage Temperature	-4–122°F (-20–50°C)		
	IP Rating	IPX4		
	Duration of Charging	Approx. 7.5 h		
	Battery	Nominal Voltage	36 V ===	
Max. Charging Voltage		42 V ===		
Charging Temperature		32–104°F (0–40°C)		
Nominal Energy		368 Wh		
Nominal Capacity		10.2 Ah		
Battery Management System		Over-heating, short circuit, over-current, over-discharge and over-charge protection		
Number of Batteries		2		
Motor	Nominal Power	300 W, 0.3 kW		
	Output Power	71 W, 0.071 kW		
Charger	Input Voltage	100–240 V-		
	Output Voltage	42 V ===		
	Output Current	1.7 A		
	Brake Light	LED rear light		
Features	Shock Absorber	Front		
	Riding Modes	Speed limit mode, Standard mode and Sport mode		
	Ambient light	Customizable colour	/	Customizable colour
	Tire	Tires Material: non-pneumatic tires, synthetic rubber. Size: 9 inches		

[1] Typical Range: tested while riding under full power, 165 lbs (75 kg) load, 77°F (25°C), 60% of max. speed on average on pavement.

\* Some of the factors that affect range include: speed, number of starts and stops, ambient temperature, etc.

# 13 Certifications

For Model: E22, E25A, E45

This product is certified to ANSI/CAN/UL-2272 by CSA.  
The battery complies with UN/DOT 38.3.

### Federal Communications Commission (FCC) Compliance Statement for USA

This device complies with part 15 of the FCC rules. Operation is subject to the following two conditions: (1) This device may not cause harmful interference, and (2) this device must accept any interference received, including interference that may cause undesired operation.

#### NOTE

This equipment has been tested and found to comply with the limits for a Class B digital device, pursuant to part 15 of the FCC Rules. These limits are designed to provide reasonable protection against harmful interference in a residential installation. This equipment generates, uses and can radiate radio frequency energy and, if not installed and used in accordance with the instructions, may cause harmful interference to radio communications. However, there is no guarantee that interference will not occur in a particular installation. If this equipment does cause harmful interference to radio or television reception, which can be determined by turning the equipment off and on, the user is encouraged to try to correct the interference by one or more of the following measures:

- Reorient or relocate the receiving antenna.
- Increase the separation between the equipment and receiver.
- Connect the equipment into an outlet on a circuit different from that to which the receiver is connected.
- Consult the dealer or an experienced radio/TV technician for help.

This equipment complies with FCC radiation exposure limits set forth for an uncontrolled environment.

### Industry Canada (IC) Compliance Statement for Canada

This device complies with Industry Canada license-exempt RSS standard (s). Operation is subject to the following two conditions: (1) this device may not cause interference, and (2) this device must accept any interference, including interference that may cause undesired operation of the device.

CAN ICES-3 (B)/NMB-3(B)

Neither Segway Inc. nor Ninebot is responsible for any changes or modifications not expressly approved by Segway Inc. or Ninebot. Such modifications could void the user's authority to operate the equipment.

E22	FCC ID: 2ALS8-NT9529 IC: 22636-NT9529	E25A	FCC ID: 2ALS8-KS0003 IC: 22636-KS0003	E45	FCC ID: 2ALS8-KS0001 IC: 22636-KS0001
-----	--	------	--	-----	--

For Model: E22D, E22E, E25D, E25E, E45D, E45E

This product is certified to ANSI/CAN/UL-2272 by CSA.  
The battery complies with UN/DOT 38.3.

### European Union Compliance Statement Important WEEE information



WEEE Disposal and Recycling Information Correct Disposal of this product. This marking indicates that this product should not be disposed with other household wastes throughout the EU.

To prevent possible harm to the environment or human health from uncontrolled waste disposal, recycle it responsibly to promote the sustainable reuse of materials resources. To return your used device, please use the return and collection systems or contact the retailer where the product was purchased. They can take this product for environmental safe recycling.

### Battery recycling information for the European Union



Batteries or packaging for batteries are labeled in accordance with European Directive 2006/66/EC and amendment 2013/56/EU concerning batteries and accumulators and waste batteries and accumulators. The Directive determines the framework for the return and recycling of used batteries and accumulators as applicable throughout the European Union. This label is applied to various batteries to indicate that the battery is not to be thrown away, but rather reclaimed upon end of life per this Directive.

In accordance with the European Directive 2006/66/EC and amendment 2013/56/EU, batteries and accumulators are labeled to indicate that they are to be collected separately and recycled at end of life. The label on the battery may also include a chemical symbol for the metal concerned in the battery (Pb for lead, Hg for mercury, and Cd for cadmium). Users of batteries and accumulators must not dispose of batteries and accumulators as unsorted municipal waste, but use the collection framework available to customers for the return, recycling, and treatment of batteries and accumulators. Customer participation is important to minimize any potential effects of batteries and accumulators on the environment and human health due to the potential presence of hazardous substances.

Before placing electrical and electronic equipment (EEE) in the waste collection stream or in waste collection facilities, the end user of equipment containing batteries and/or accumulators must remove those batteries and accumulators for separate collection.

### Restriction of Hazardous Substances (RoHS) Directive

This Ninebot (Changzhou) Tech Co., Ltd. product, with included parts (cables, cords, and so on) meets the requirements of Directive 2011/65/EU on the restriction of the use of certain hazardous substances in electrical and electronic equipment ("RoHS recast" or "RoHS 2").



### Radio Equipment Directive

The company "Segway Europe BV" hereby declares that this device complies with the essential requirements and other relevant provisions of the RED directive 2014/53/EU, the machine directive 2006/42/EC and the RoHS directive 2011/65/EU.

The declaration of conformity can be viewed at the following address: <http://eu-en.segway.com/support-instructions>



### Segway Europe B.V.

EU Contact Address for regulatory topics only: Hogehilweg 8, 1101CC Amsterdam, The Netherlands.

Hereby, Ninebot (Changzhou) Tech Co., Ltd, declares that the wireless equipment listed in this section are in compliance with the essential requirements and other relevant provisions of Directive 2014/53/EU.

Bluetooth	Frequency Band(s)	2.4000-2.4835GHz
	Max. RF Power	100mW

## 14 Trademark and Legal Statement

Ninebot is the registered trademark of Ninebot (Tianjin) Tech. Co., Ltd; Segway and the Rider Design are the registered trademarks of Segway Inc.; Android, Google Play are trademarks of Google Inc., App Store is a service mark of Apple Inc., The respective owners reserve the rights of their trademarks referred to in this manual.

The KickScooter is covered by relevant patents. For patent information go to <http://www.segway.com>.

We have attempted to include descriptions and instructions for all the functions of the KickScooter at the time of printing. However, due to constant improvement of product features and changes of design, your KickScooter may differ slightly from the one shown in this document. Visit the Apple App Store (iOS) or the Google Play Store (Android) to download and install the App.

Please note that there are multiple Segway and Ninebot models with different functions, and some of the functions mentioned herein may not be applicable to your unit. The manufacturer reserves the right to change the design and functionality of the KickScooter product and documentation without prior notice.

© 2020 Ninebot (Beijing) Tech Co. Ltd. All rights reserved.

## 15 Contacts

Contact us if you experience issues relating to riding, maintenance and safety, or errors/faults with your KickScooter.

### Americas:

#### Segway Inc.

14 Technology Drive, Bedford, NH 03110, USA

Tel: 1-603-222-6000

Fax: 1-603-222-6001

Toll Free: 1-866-473-4929

E-mail Sales: [customeroperation@segway.com](mailto:customeroperation@segway.com)

E-mail Service: [technicalsupport@segway.com](mailto:technicalsupport@segway.com)

Website: [www.segway.com](http://www.segway.com)

### Europe, Middle East and Africa:

#### Segway Europe B.V.

Hogehilweg 8, 1101CC Amsterdam, The Netherlands

Website: [www.segway.com](http://www.segway.com)

Have your KickScooter serial number on hand when contacting Segway.

You can find your serial number on the underside of your KickScooter or Basic Information in the Segway-Ninebot App.

# Ninebot KickScooter

## Manuel utilisateur



The manufacturer reserves the right to make changes to the product, release firmware updates, and update this manual at any time. Visit [www.segway.com](http://www.segway.com) or check the App to download the latest user materials. You must install the App, activate your KickScooter, and obtain the latest updates and safety instructions.

[www.segway.com](http://www.segway.com)



**ninebot**<sup>®</sup>

Traduction des instructions originales

## Sommaire

1 Sécurité	02
2 Liste d'emballage	04
3 Diagramme	05
4 Assemblage de votre KickScooter	06
5 Installation d'une seconde batterie (en option)	07
6 Première utilisation	08
7 Charge	09
8 Apprendre à conduire	09
9 Avertissements	11
10 Repliement et	15
11 Entretien	15
12 Spécifications	17
13 Certifications	20
14 Marque commerciale et déclaration juridique	23
15 Contacts	23

## Nous vous remercions d'avoir choisi la série Ninebot KickScooter!

Nous vous remercions d'avoir choisi le Ninebot KickScooter (ci-après dénommé KickScooter)!

Votre KickScooter est un dispositif de transport élégant avec une application mobile vous permettant de vous connecter à d'autres conducteurs.

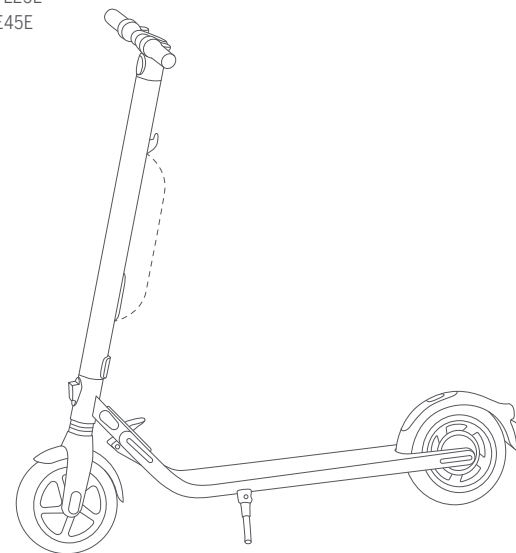
Savourez le trajet et connectez-vous à des conducteurs à travers le monde!

Ce manuel s'applique aux modèles suivants :

Séries E22: E22 / E22D / E22E

Séries E25: E25A / E25D / E25E

Séries E45: E45 / E45D / E45E



### ▲ AVERTISSEMENT!

Utilisez toujours le frein électrique et la pédale de frein ensemble pour les arrêts d'urgence. Sinon, vous n'atteindrez pas la capacité de freinage maximum ce qui pourrait provoquer une chute et / ou une collision.

\* La photo est pour référence seulement. Veuillez vous référer au produit réel pour plus de détails.

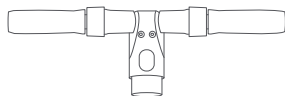
# 1 Sécurité

1. Le KickScooter est un dispositif de transport conçu pour la récréation. En maîtriser la conduite demande de l'entraînement. Ninebot Inc. et Segway Inc. déclinent toute responsabilité en cas de blessure ou dommage causé par le manque d'expérience d'un conducteur ou par le non-respect des instructions contenues dans ce document.
2. Veuillez noter qu'il est possible de réduire les risques en suivant l'ensemble des instructions et avertissements contenus dans ce manuel, mais qu'il n'est pas possible d'éliminer tous les risques. Rappelez-vous que lorsque vous utilisez le KickScooter, vous vous exposez à un risque de blessure en cas de perte de contrôle, collision ou chute. Lorsque vous pénétrez des espaces publics, conformez-vous toujours aux lois et règlements applicables. Comme pour les autres véhicules, la distance nécessaire au freinage augmente avec la vitesse. Un freinage brusque sur des surfaces à faible adhérence peut entraîner un patinage des roues ou une chute. Soyez prudents et conservez toujours une distance suffisante entre vous et les autres personnes ou véhicules lorsque vous conduisez. Soyez attentifs et ralentissez lorsque vous pénétrez des lieux qui ne vous sont pas familiers.
3. Portez toujours un casque lorsque vous conduisez. Utilisez un casque homologué pour vélo ou skateboard, de taille adaptée, avec la mentonnière en place, protégeant l'arrière de votre tête.
4. Ne réalisez pas votre premier essai dans un lieu où vous pourriez rencontrer des enfants, des piétons, des animaux de compagnie, des véhicules, des cyclistes ou d'autres obstacles et dangers potentiels.
5. Respectez les piétons en leur laissant toujours la priorité. Doublez à gauche si possible. Lorsque vous approchez un piéton de l'avant, restez à droite et ralentissez. Évitez de surprendre les piétons. Lorsque vous approchez par derrière, annoncez-vous et ralentissez de sorte à atteindre une vitesse de marche pour doubler. Dans les autres situations, veuillez respecter les lois et règlements concernant la circulation routière.
6. Dans les lieux où les lois ne s'appliquent pas, respectez les consignes de sécurité présentées dans ce manuel. Ninebot Inc. et Segway Inc. déclinent toute responsabilité en cas de dommages matériels, dommages corporels / décès, accidents ou litiges juridiques résultant de violations des consignes de sécurité.
7. Ne permettez à personne d'utiliser votre KickScooter seul à moins qu'il ou elle ne l'ait lu attentivement ce manuel et suivi le tutoriel Nouveau conducteur dans l'application. La sécurité des nouveaux utilisateurs relève de votre responsabilité. Aidez les nouveaux utilisateurs jusqu'à ce qu'ils soient à l'aise avec le maniement de base du KickScooter. Assurez-vous que chaque nouvel utilisateur porte un casque et d'autres équipements de protection.
8. Avant chaque utilisation, assurez-vous qu'il n'y ait pas de fixations desserrées et de composants endommagés. Si le KickScooter produit des bruits anormaux ou émet une alarme, cessez immédiatement l'utilisation. Effectuez un diagnostic de votre KickScooter via l'application Segway-Ninebot et appelez votre revendeur /-distributeur pour la réparation.
9. Soyez attentifs ! Regardez au loin et devant votre KickScooter : vos yeux sont votre meilleur outil sécurité pour éviter les obstacles et les surfaces à faible traction (y compris, mais sans s'y limiter, les sols mouillés, le sable, le gravier et le verglas).
10. Pour réduire le risque de blessure, vous devez lire et suivre tous les avis « ATTENTION » et « AVERTISSEMENT » dans ce document. Ne conduisez pas à une vitesse dangereuse. Vous ne devez conduire en aucune circonstance sur la route avec des véhicules motorisés. L'âge recommandé par le fabricant est de 14+ ans. Suivez toujours les consignes de sécurité :

- A. Les personnes devant s'abstenir de conduire le KickScooter incluent :
    - i. Toute personne se trouvant sous l'emprise de l'alcool ou de drogues.
    - ii. Toute personne souffrant d'une maladie qui la met en danger lorsqu'elle pratique une activité physique intense.
    - iii. Toute personne ayant des problèmes d'équilibre ou d'habileté motrice pouvant lui faire perdre l'équilibre.
    - iv. Toute personne dont le poids est en dehors des limites indiquées (voir Spécifications).
    - v. Les femmes enceintes.
  - B. Les conducteurs de moins de 18 ans doivent être supervisés par un adulte.
  - C. Conformez-vous aux lois et règlements applicables lorsque vous utilisez ce produit. Ne conduisez pas sur des sites interdits par les lois applicables.
  - D. Pour conduire de manière sûre, vous devez être en mesure de voir clairement ce qui se trouve devant vous et vous devez être clairement visible pour les autres.
  - E. Ne conduisez pas dans la neige ou sous la pluie ou sur des chaussées mouillées, boueuses, glacées ou glissantes, pour quelque raison que ce soit. Ne conduisez pas sur des obstacles (sable, gravier ou bouts de bois). Cela pourrait causer une perte d'équilibre ou de traction pouvant entraîner une chute.
11. N'essayez pas de charger votre KickScooter si ce dernier, le chargeur ou la prise de courant est mouillé(e).
  12. Comme pour tout appareil électronique, utilisez un dispositif antisurtension lors de la charge pour protéger votre KickScooter de tout dommage dû aux pics d'intensité et pointes de tension. Utilisez uniquement le chargeur fourni par Segway. N'utilisez pas de chargeur conçu pour un modèle différent.
  13. Utilisez uniquement des pièces et accessoires homologué(s) par Ninebot ou Segway. Ne modifiez pas votre KickScooter. Le fait d'apporter des modifications à votre KickScooter peut nuire au bon fonctionnement du KickScooter, peut entraîner des blessures et / ou dommages graves et peut entraîner la révocation de la Garantie limitée.
  14. Les enfants ne peuvent jouer avec la trottinette ou des parties de celle-ci. Le nettoyage ou l'entretien ne peut être effectué par des enfants. L'utilisation de la machine entraîne la transmission de vibrations dans l'ensemble du corps du conducteur.
  15. Placez toujours la trottinette sur sa béquille sur une surface plane et stable. La trottinette doit être placée avec la béquille à contre-pente afin d'éviter tout basculement. Ne placez jamais la trottinette avec l'avant face à la pente, la béquille pourrait se refermer et faire basculer la machine. Une fois la trottinette sur sa béquille, vérifiez sa stabilité afin d'éviter tout risque de chute (par glissement, vent ou léger à-coup). Ne stationnez pas la trottinette dans un endroit passant mais privilégiez plutôt le long d'un mur. Dans la mesure du possible, choisissez toujours de stationner sa trottinette sur un sol plat.
  16. Pour une meilleure expérience de conduite, il est conseillé d'effectuer l'entretien régulier du produit.
  17. Veuillez lire le manuel d'utilisation avant de charger la batterie.
  18. Ne touchez pas au système de freinage, cela peut entraîner des blessures.
  19. Le niveau de pression acoustique d'émission pondéré A est inférieur à 70 dB (A). Les vibrations mécaniques transmises par le KickScooter sont inférieures à 2,5 m/s<sup>2</sup>.

## 2 Liste d'emballage

Manche



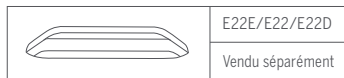
Cadre central



Contenus utilisateur



Seconde batterie



Accessoires

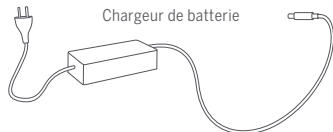
Vis M5 Flathead x 7  
(une de rechange)



Clé hexagonale 3mm



Chargeur de batterie



Cloche



Lorsque vous déballez votre KickScooter pour la première fois, veuillez vérifier que les articles ci-dessus sont inclus dans l'emballage. S'il vous manque des composants, veuillez contacter votre revendeur / distributeur ou le centre de service le plus proche (voir la section Contacts du manuel utilisateur). Après avoir vérifié que tous les composants sont présents et en bon état, vous pouvez assembler votre nouveau KickScooter.

Veuillez conserver la boîte et l'emballage au cas où vous auriez besoin de faire expédier votre KickScooter à l'avenir.

Rappelez-vous d'éteindre votre KickScooter et de débrancher le câble du chargeur avant l'assemblage, le montage des accessoires ou le nettoyage de la pièce centrale.

## 3 Diagramme

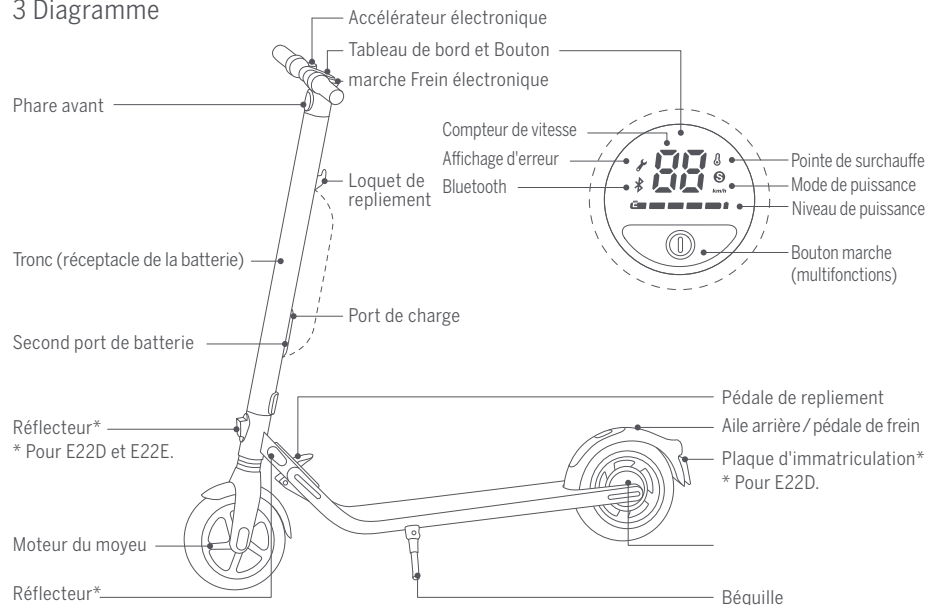


Tableau de bord et Bouton marche

Compteur de vitesse : Indique la vitesse actuelle. Affiche également les codes d'erreur lorsque des problèmes sont détectés.

Niveau de puissance : Indique le niveau de batterie restant avec 5 barres. Chaque barre correspond approximativement à un niveau de puissance de 20%.

Mode de puissance :

- Icône rouge « S » : Mode Sport (puissance / vitesse maximales).
- Icône blanche « S » : Mode Standard (puissance / vitesse).
- Pas d'icône « S » : Mode Vitesse limitée (puissance / vitesse minimales).

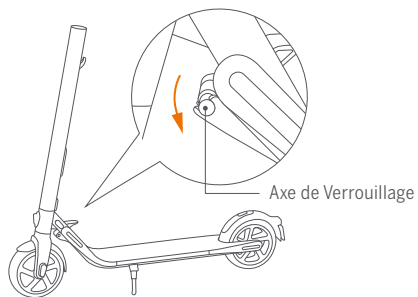
Bluetooth : Une icône Bluetooth clignotante indique que le véhicule est prêt à être connecté. Une icône Bluetooth fixe indique que le véhicule est connecté à un appareil mobile.

Bouton marche : Appuyez brièvement pour allumer. Appuyez longuement pour éteindre. Lorsque l'appareil est allumé, cliquez une fois pour allumer / éteindre le phare avant. Double-cliquez pour modifier le mode de puissance.

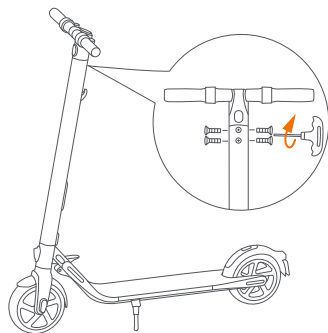
## 4 Assemblage de votre KickScooter

1. Dépliez le tronc et poussez-le jusqu'à ce que vous entendiez un dé clic. Relevez la pédale de repliement. Dépliez ensuite la béquille pour soutenir le scooter.

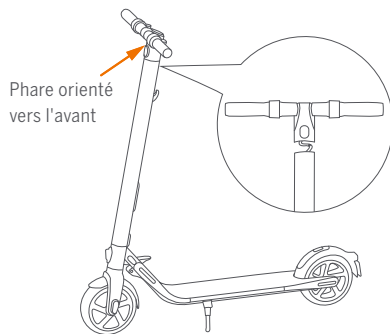
Remarque: Vérifiez que l'axe de verrouillage sur le mécanisme de pliage est correctement fixé.



3. Installez quatre vis (deux de chaque côté) avec la clé hexagonale incluse.



2. Connectez fermement les câbles à l'intérieur du manche et du tronc. Faites glisser le manche dans le tronc. Assurez-vous de l'orienter correctement.

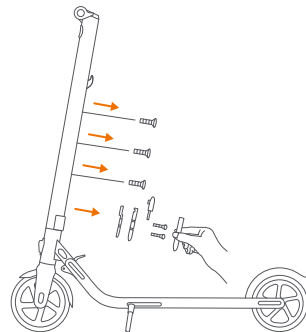


4. Vérifiez que votre KickScooter s'allume et s'éteigne.

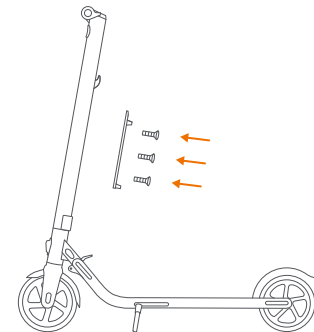


## 5 Installation d'une seconde batterie (en option) ⚠ Attention : N'utilisez que les vis pourvues à cet effet dans l'emballage.

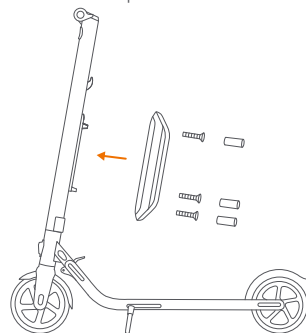
1. Retirez les trois vis sur le tronc, comme indiqué. Retirez ensuite le cache situé près du port de charge et retirez la vis M3.



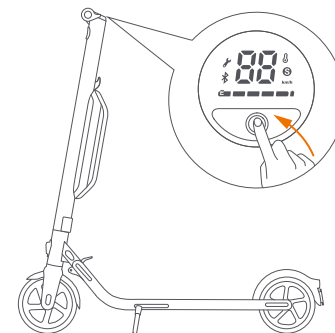
2. Installez le port de batterie avec les 3 vis M4 de 10mm pourvues à cet effet avec votre produit. Assurez-vous de la bonne fixation.



3. Installez la batterie externe sur le port de batterie; fixez-la avec les 2 vis M4 de 20mm et vis M3 (1 pièce) pourvues à cet effet avec le produit. Après installation, bloquez les trous de vis avec la protection en caoutchouc.



4. Vérifiez que votre KickScooter s'allume et s'éteigne.



## 6 Première utilisation

▲ Le fait d'apprendre à utiliser le KickScooter pose des risques de sécurité. Lisez les consignes de sécurité dans l'application avant votre première utilisation.



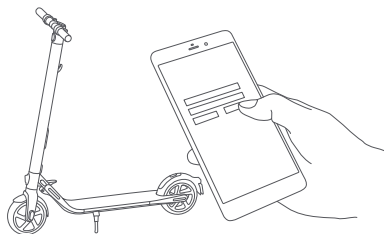
Segway-Ninebot App

Pour votre sécurité, votre KickScooter n'est pas activé et il émettra occasionnellement un son après l'avoir mis sur ON.

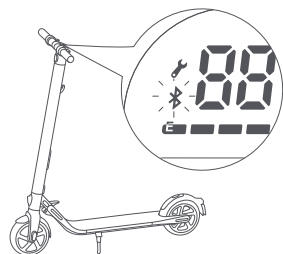
Tant qu'il n'est pas activé, le KickScooter conserve une vitesse de marche très faible et ses pleines fonctionnalités ne peuvent pas être utilisées. Installez l'application sur votre appareil mobile (avec Bluetooth 4.0 ou ultérieur), connectez-le au KickScooter par Bluetooth, et suivez les instructions de l'application pour activer votre KickScooter pour bénéficier de la pleine performance.

Scannez le code QR pour télécharger l'application (iOS 9.0 ou ultérieur, Android™ 4.3 ou ultérieur).

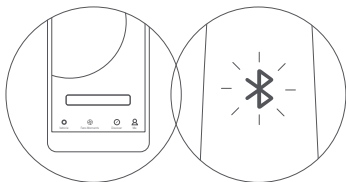
- 1 Installez l'application et inscrivez-vous ou identifiez-vous.



- 2 Allumez le KickScooter. Une icône Bluetooth clignotante indique que le KickScooter est en attente de connexion.

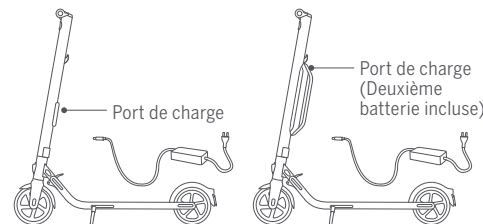


- 3 Cliquez sur « Rechercher un véhicule » pour vous connecter à votre KickScooter. Le KickScooter émet un son lorsque la connexion est réussie. L'icône Bluetooth arrête de clignoter et reste illuminée.



- 4 Suivez les instructions de l'application pour activer le KickScooter et apprenez comment le manier avec prudence. Vous pouvez maintenant commencer à utiliser votre KickScooter, vérifiez le statut dans l'application et interagissez avec les autres utilisateurs. Amusez-vous bien!

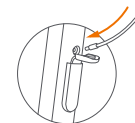
## 7 Charge



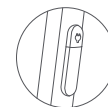
conseils pour l'étape de charge



Ouvrez le cache du port de charge.



Insérez la prise du chargeur.



Fermez le cache du port de charge lorsque vous avez terminé.

### ▲ AVERTISSEMENT

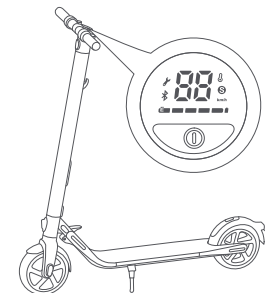
Ne connectez pas le chargeur si le port de charge ou le câble du chargeur est mouillé. Ne chargez pas et n'utilisez pas votre batterie si elle est endommagée ou si vous voyez des traces d'eau.

Votre KickScooter est pleinement chargé lorsque la LED sur le chargeur passe du rouge (en charge) au vert (charge de maintien). Fermez le cache du port de charge lorsque le scooter n'est pas en charge.

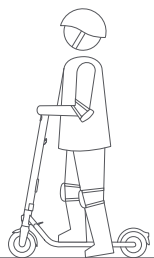
## 8 Apprendre à conduire



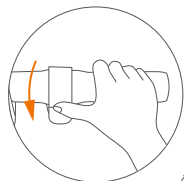
Portez un casque homologué et d'autres équipements de protection pour minimiser toute blessure possible.



1. Allumez le scooter et vérifiez le témoin d'indication du niveau de puissance. Chargez le scooter si le niveau de batterie est faible.

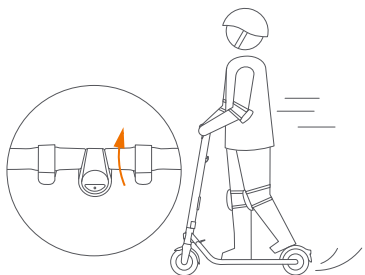


2. Tenez-vous sur l'appui-pieds avec un pied et poussez avec votre autre pied pour commencer à glisser.

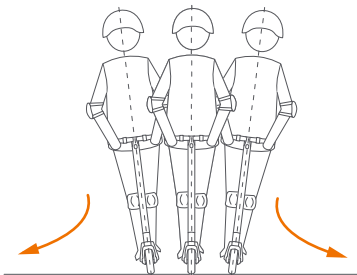


3. Placez votre autre pied sur l'appui-pieds pour assurer la stabilité des deux pieds. Appuyez sur l'accélérateur de la main droite pour accélérer lorsque vous avez trouvé votre équilibre.

Remarque: pour assurer votre sécurité, le moteur ne s'embranchera pas jusqu'à ce que le scooter atteigne la vitesse 4 km/h.



4. Ralentissez en lâchant l'accélérateur. Serrez le frein électronique et tamponnez l'aile avec le pied en même temps pour un freinage brusque.



5. Pour tourner, déplacez le poids de votre corps et tournez doucement le manche.

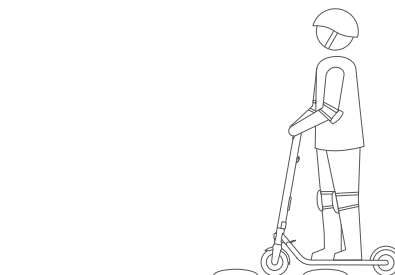
## 9 Avertissements

### ⚠ AVERTISSEMENT

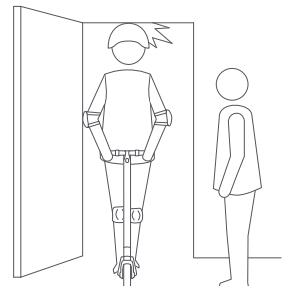
Le fait de ne pas suivre ces instructions peut entraîner des blessures graves.



⚠ Ne conduisez PAS le scooter sous la pluie.



⚠ Maintenez votre vitesse entre 5 et 10 km/h lorsque vous roulez sur les dos d'âne, les seuils de portes d'ascenseur, les routes défoncées ou autre surfaces irrégulières. Fléchissez légèrement le genou pour une meilleure adaptation à ces surfaces.



⚠ Faites attention à votre tête lorsque vous passez sous une porte.

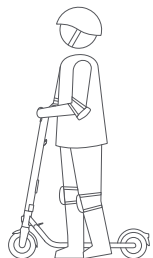
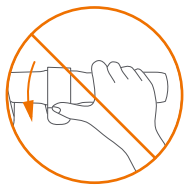


⚠ Faites attention à votre vitesse lorsque vous roulez en descente. Utilisez les deux freins en même temps lorsque vous vous déplacez à grande vitesse.

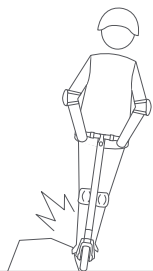
### ⚠ AVERTISSEMENT

Un freinage rapide peut poser un risque de blessures sérieuses dues à une perte de traction et une chute. Conservez une vitesse modérée et faites attentions aux dangers potentiels.

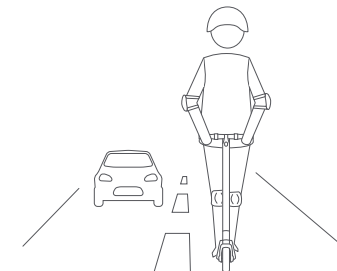




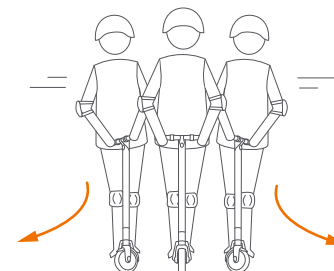
⚠ N'appuyez PAS sur l'accélérateur lorsque vous marchez avec le scooter.



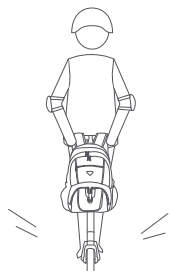
⚠ Évitez tout contact entre le pneu / la roue et des obstacles.



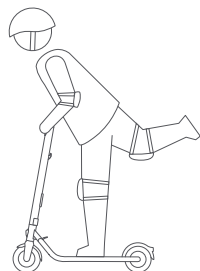
⚠ Ne conduisez PAS sur des voies publiques ou des autoroutes.



⚠ Ne tournez PAS le manche de manière violente lorsque vous conduisez à haute vitesse.



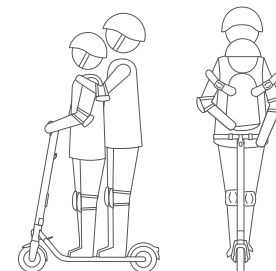
⚠ Ne posez PAS d'objets lourds sur le guidon.



⚠ Ne conduisez PAS le scooter avec un seul pied.



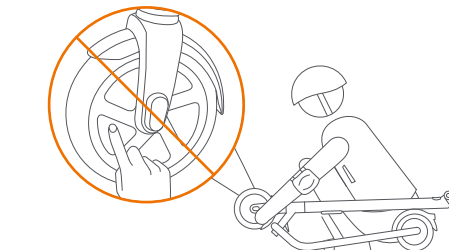
⚠ Ne roulez pas dans les flaques d'eau ou les autres obstacles (formés par l'eau). Dans de tels cas, veuillez ralentir et contourner l'obstacle.



⚠ Le KickScooter est conçu pour un utilisateur seul. Ne conduisez pas à deux et ne prenez pas de passagers. Ne portez pas d'enfant.



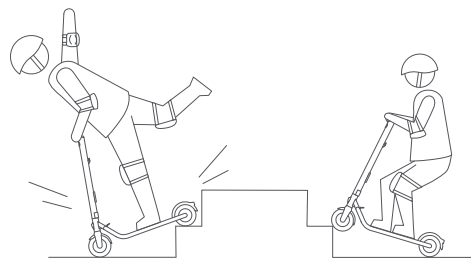
⚠ Ne posez PAS votre pied sur la pédale de repliement lorsque vous conduisez.



⚠ Ne touchez PAS le moteur du moyeu après avoir utilisé le scooter car il peut être chaud.



⚠ Ne levez PAS vos mains du guidon lorsque vous conduisez. Ne conduisez pas d'une seule main.

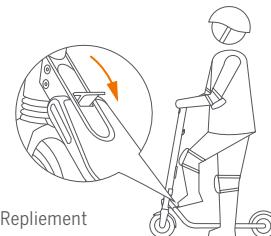


⚠ Ne conduisez PAS sur des marches d'escalier et ne sautez PAS au-dessus d'obstacles.

#### ⚠ AVERTISSEMENT

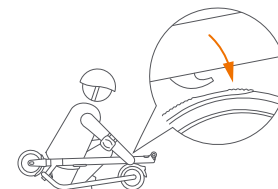
Conservez toujours vos deux mains sur le guidon ou vous vous exposerez à un risque de blessures sérieuses dues à une perte de traction et une chute.

## 10 Repliement et transport

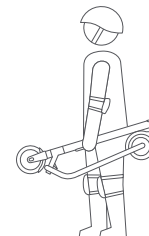


Repliement

Posez votre pied sur la pédale de repliement tout en poussant doucement le guidon vers l'avant.



Pliez ensuite le guidon vers le bas jusqu'à ce qu'il s'enclenche dans l'aile arrière.



Une fois votre KickScooter replié, soulevez-le simplement par le tronc pour le transporter.

## 11 Entretien

### Nettoyage et rangement

Utilisez un chiffon doux et humide pour nettoyer le cadre central. La saleté difficile à enlever peut être brossée avec une brosse à dent et du dentifrice, puis essuyée avec un chiffon doux et humide.

### REMARQUE

Ne nettoyez pas votre KickScooter avec de l'alcool, de l'essence, de l'acétone ou d'autres solvants corrosifs / volatiles. Ces substances peuvent endommager l'apparence et la structure interne de votre KickScooter. Ne nettoyez pas votre KickScooter avec une laveuse à pression ou un jet d'eau.

### ⚠ AVERTISSEMENT

Assurez-vous que le KickScooter soit sur OFF, que le câble du chargeur soit débranché et que le capuchon en caoutchouc sur le port de charge soit hermétiquement fermé avant le nettoyage ; vous risquez sinon d'endommager les composants électroniques.

Rangez votre KickScooter dans un lieu frais et sec. Ne le rangez pas dehors pour des périodes étendues. L'exposition à la lumière du soleil et des températures extrêmes (chaudes comme froides) accélère le processus de vieillissement des composants plastiques et peut réduire la durée de vie de la batterie.

### Entretien et retrait de la batterie

Ne retirez pas la batterie. Le retrait de la batterie constitue une opération difficile susceptible de porter atteinte au bon fonctionnement de

l'équipement: vous pouvez contacter un centre de dépannage agréé si le produit est encore sous garantie. Vous pouvez demander la liste des réparateurs agréés au service client accessible via le lien suivant: [www.segway.com](http://www.segway.com). Si le produit n'est plus sous garantie, vous pouvez contacter un centre de dépannage spécialisé de votre choix. Pour en savoir plus, vous pouvez contacter le service clientèle via le lien suivant: [www.segway.com](http://www.segway.com).

Ne rangez pas le scooter ou ne chargez pas la batterie à des températures se trouvant en dehors des limites indiquées (voir Spécifications). Ne percez pas la batterie. Référez-vous aux lois et règlements en vigueur en ce qui concerne le recyclage et/ou la mise au rebut.

Une batterie bien entretenue produira de bonnes performances même après des kilomètres de conduite. Chargez la batterie après chaque utilisation et évitez de vider complètement la batterie. L'utilisation du scooter à température ambiante (22 °C), mènera à une autonomie et performance de la batterie optimales; alors que son utilisation à des températures inférieures à 0 °C diminuera l'autonomie et la performance. En général, à -20 °C l'autonomie sera réduite de moitié par rapport à 22°C. L'autonomie de la batterie reviendra si la température augmente. Plus de détails sont disponibles dans l'application.

#### Remplacer les pneus

Le démontage des roues étant complexe, un montage inapproprié pourrait causer l'instabilité et le dysfonctionnement de l'équipement:  
 – Veuillez contacter un centre de dépannage agréé si le produit est encore sous garantie accordée par le fabricant. Vous pouvez demander la liste des réparateurs agréés au service client accessible via le lien suivant: [www.segway.com](http://www.segway.com).  
 – Si le produit n'est plus sous garantie, vous pouvez contacter un centre de dépannage spécialisé de votre choix.  
 – Si vous avez des questions, vous pouvez contacter le service clientèle via le lien suivant: [www.segway.com](http://www.segway.com).

#### REMARQUE

En général, une batterie pleinement chargée devrait conserver la charge de 120 à 180 jours en mode Standby. Une batterie à faible puissance devrait conserver la charge de 30 à 60 jours en mode Standby. Rappelez-vous de charger la batterie après chaque utilisation. La batterie pourrait subir des dommages permanents si elle est complètement déchargée. Les composants électroniques à l'intérieur de la batterie enregistrent la condition de charge de la batterie; les dommages résultants d'une surcharge ou décharge excessive ne sont pas couverts par la Garantie limitée.

#### ⚠ AVERTISSEMENT

Ne chargez pas et n'utilisez pas votre batterie si elle est endommagée ou si vous voyez des traces d'eau. Ne tentez pas de démonter la batterie. Risque d'incendie. Pas de pièces changeables par l'utilisateur.

#### ⚠ AVERTISSEMENT

Ne conduisez pas lorsque la température est en-dehors de températures de fonctionnement de l'appareil (voir spécifications) car une température basse/élevée limitera la puissance/le couple maximum. Cela pourrait engendrer des blessures ou des dommages matériels à cause de glissades ou de chutes.

#### Autres

Le câble flexible externe de ce transformateur ne peut pas être remplacé; si le cordon est endommagé, jetez le transformateur et remplacez-le par un neuf. En cas de questions, contactez le service clientèle via le lien suivant: [www.segway.com](http://www.segway.com).

Contactez un centre de dépannage agréé si le produit est encore sous garantie. Vous pouvez demander la liste des réparateurs agréés au service client accessible via le lien suivant: [www.segway.com](http://www.segway.com). A défaut, vous pouvez contacter un centre de dépannage spécialisé de votre choix. Pour en savoir plus, vous pouvez contacter le service clientèle via le lien suivant: [www.segway.com](http://www.segway.com).

Des efforts ont été faits pour simplifier la rédaction du Manuel d'utilisation pour les utilisateurs. Lorsqu'une action semble complexe pour l'utilisateur, il est conseillé de contacter un réparateur agréé ou spécialisé ou le service client.

## 12 Spécifications

	Article	E22E/E22D	E22
Dimensions	Longueur x Largeur x Hauteur	43.7 × 16.5 × 44.1 in (111 × 42 × 112 cm)	42.9 × 16.5 × 44.1 in (109 × 42 × 112 cm)
	Plié: Longueur x Largeur x Hauteur	44.9 × 16.5 × 14.2 in (114 × 42 × 36 cm)	44.5 × 16.5 × 14.2 in (113 × 42 × 36 cm)
Poids	Poids net	Approx. 29.8 lbs (13.5kg)	
Utilisateur	Charge utile	55–220 lbs (25–100 kg)	
	Âge recommandé	14+ years	
	Taille requise	3'11"–6'6" (120–200 cm)	
Paramètres machine	Vitesse max.	12.4 mph (20 km/h)	
	Autonomie typique <sup>[1]</sup>	13.7 miles (22 km)	
	Inclinaison max.	15%	
	Terrain praticable	asphalte / chaussée plate; obstacles < 1 cm; trous < 3 cm	
	Température d'opération	14–104°F (-10–40°C)	
	Température d'entreposage	-4–122°F (-20–50°C)	
	Indice IP	IPX4	
	Durée de chargement	3.5 h	
Batterie	Tension nominale	36 V=	
	Max. Tension de charge	42 V=	
	Température de charge	32–104°F (0–40°C)	
	Capacité nominale	184 Wh	
	Système de gestion de la batterie	Surcharge, court-circuit, surintensité, décharge excessive et protection de surintensité	
	Nombre de batteries <sup>[2]</sup>	1	
Moteur	Puissance nominale	300 W, 0.3 kW	
	Puissance de sortie nominale	71 W, 0.071 kW	
Chargeur	Tension d'entrée nominale	100–240 V -	
	Tension de sortie nominale	42 V=	
	Courant nominal	1.7 A	
Fonctionnalités	Feu de freinage	Feu arrière à LED	
	Modes de conduite	Mode Limite de vitesse, mode Standard et mode Sport	
Pneu	Les pneus	Matériau : pneus non pneumatiques. caoutchouc synthétique. Taille : 9 pouces	

[1] Autonomie typique: testée en conduisant à pleine puissance, charge de 75 kg, 25°C, 60% de la vitesse max. en moyenne, sur la chaussée.

\* Certains facteurs peuvent affecter l'autonomie comme: la vitesse, le nombre de démarrages et d'arrêts, la température ambiante, etc.

[2] Tous les modèles KickScooter peuvent prendre en charge la seconde batterie. Certains des paramètres doivent être modifiés dans ce cas.

	Article	E25D	E25E	E25A
Dimensions	Longueur x Largeur x Hauteur	43.7 × 16.5 × 44.1 in (111 × 42 × 112 cm)		
	Plié: Longueur x Largeur x Hauteur	44.9 × 16.5 × 14.2 in (114 × 42 × 36 cm)		
Poids	Poids net	31.5 lbs (14.3 kg)		
Utilisateur	Charge utile	55–220 lbs (25–100 kg)		
	Âge recommandé	14+ years		
	Taille requise	3'11"–6'6" (120–200 cm)		
Paramètres machine	Vitesse max.	12.4 mph (20 km/h)	15.5 mph (25 km/h)	17.4 mph (28 km/h)
	Autonomie typique <sup>[1]</sup>	15.5 miles (25 km)		
	Inclinaison max.	15%		
	Terrain praticable	asphalte / chaussée plate; obstacles < 1 cm; trous < 3 cm		
	Température d'opération	14–104°F (-10–40°C)		
	Température d'entreposage	-4–122°F (-20–50°C)		
	Indice IP	IPX4		
	Durée de chargement	4 h		
	Batterie	Tension nominale	36 V----	
Max. Tension de charge		42 V----		
Température de charge		32–104°F (0–40°C)		
Capacité nominale		215 Wh		
Nominal Energy		5960 mAh		
Système de gestion de la batterie		Surchauffe, court-circuit, surintensité, décharge excessive et protection de surintensité		
Nombre de batteries <sup>[2]</sup>		1		
Moteur	Puissance nominale	300 W, 0.3 kW		
	Puissance de sortie nominale	71 W, 0.071 kW		
Chargeur	Tension d'entrée nominale	100–240 V -		
	Tension de sortie nominale	42 V----		
	Courant nominal	1.7 A		
Fonctionnalités	Feu de freinage	Feu arrière à LED		
	Amortisseur	avant		
	Modes de conduite	Mode Limite de vitesse, mode Standard et mode Sport		
Pneu	Lumière ambiance	/	couleur personnalisable   couleur personnalisable	
	Les pneus	Matériau : pneus non pneumatiques, caoutchouc synthétique. Taille : 9 pouces		

[1] Autonomie typique: testée en conduisant à pleine puissance, charge de 75 kg, 25°C, 60 % de la vitesse max. en moyenne, sur la chaussée.

\* Certains facteurs peuvent affecter l'autonomie comme: la vitesse, le nombre de démarrages et d'arrêts, la température ambiante, etc.

[2] Tous les modèles KickScooter peuvent prendre en charge la seconde batterie. Certains des paramètres doivent être modifiés dans ce cas.

	Article	E45	E45D	E45E
Dimensions	Longueur x Largeur x Hauteur	43.7 × 16.5 × 44.1 in (111 × 42 × 112 cm)		
	Plié: Longueur x Largeur x Hauteur	44.9 × 16.5 × 14.2 in (114 × 42 × 36 cm)		
Poids	Poids net	33.1 lbs (15.0 kg)		
Utilisateur	Charge utile	55–220 lbs (25–100 kg)		
	Âge recommandé	14+ years		
	Taille requise	3'11"–6'6" (120–200 cm)		
Paramètres machine	Vitesse max.	18.6 mph (30 km/h)	12.4 mph (20 km/h)	15.5 mph (25 km/h)
	Autonomie typique <sup>[1]</sup>	28.0 miles (45 km)		
	Inclinaison max.	15%		
	Terrain praticable	asphalte / chaussée plate; obstacles < 1 cm; trous < 3 cm		
	Température d'opération	14–104°F (-10–40°C)		
	Température d'entreposage	-4–122°F (-20–50°C)		
	Indice IP	IPX4		
	Durée de chargement	7.5 h		
	Batterie	Tension nominale	36 V----	
Max. Tension de charge		42 V----		
Température de charge		32–104°F (0–40°C)		
Capacité nominale		368 Wh		
Nominal Energy		10.2 Ah		
Système de gestion de la batterie		Surchauffe, court-circuit, surintensité, décharge excessive et protection de surintensité		
Nombre de batteries		2		
Moteur	Puissance nominale	300 W, 0.3 kW		
	Puissance de sortie nominale	71 W, 0.071 kW		
Chargeur	Tension d'entrée nominale	100–240 V -		
	Tension de sortie nominale	42 V----		
	Courant nominal	1.7 A		
Fonctionnalités	Feu de freinage	Feu arrière à LED		
	Amortisseur	avant		
	Modes de conduite	Mode Limite de vitesse, mode Standard et mode Sport		
Pneu	Lumière ambiance	/	couleur personnalisable   couleur personnalisable	
	Les pneus	Matériau : pneus non pneumatiques, caoutchouc synthétique. Taille : 9 pouces		

[1] Autonomie typique: testée en conduisant à pleine puissance, charge de 75 kg, 25°C, 60 % de la vitesse max. en moyenne, sur la chaussée.

\* Certains facteurs peuvent affecter l'autonomie comme: la vitesse, le nombre de démarrages et d'arrêts, la température ambiante, etc.

## 13 Certifications

Pour le modèle : E22, E25A, E45

Ce produit est certifié ANSI / CAN / UL-2272 par CSA.

La batterie est conforme à la norme UN/DOT 38.3.

### Déclaration de conformité « Federal Communications Commission » (FCC) pour les États-Unis

Cet appareil est conforme à la partie 15 des directives FCC. L'opération de l'équipement est soumise aux deux conditions suivantes: (1) Cet appareil ne doit pas être source d'interférences nuisibles, et (2) cet appareil doit accepter toute interférence reçue, y compris les interférences susceptibles d'entraîner des effets indésirables pour son opération.

#### REMARQUE

Cet équipement a été testé et classé dans la catégorie des appareils numériques de classe B en accord avec la partie 15 des directives FCC. Ces limites sont destinées à assurer une protection raisonnable contre les interférences nuisibles dans une installation résidentielle. Cet équipement produit, utilise et peut émettre de l'énergie radioélectrique et, s'il n'est pas installé et utilisé conformément aux instructions, est susceptible de provoquer des interférences nuisibles aux communications radio. Il n'existe toutefois aucune garantie que de telles interférences ne se produiront pas dans une installation particulière. Si cet appareil cause des interférences nuisibles à la réception des signaux de radio ou de télévision, ce qui peut être détecté en mettant l'appareil sous et hors tension, l'utilisateur peut essayer d'éliminer les interférences par l'un des moyens suivants:

- Réorienter ou déplacer l'antenne réceptrice.
- Augmenter la distance séparant l'équipement du récepteur.
- Brancher l'appareil sur un circuit différent de celui du récepteur.
- Demander conseil à un fournisseur ou technicien radio / TV spécialisé.

Cet équipement est conforme aux limites FCC d'exposition aux radiations, avancées ci-après, pour un environnement incontrôlé.

### Déclaration de conformité « Industry Canada » (IC) pour le Canada

Cet appareil répond aux exigences des normes RSS non soumises à licence d'Industry Canada. L'opération de l'équipement est soumise aux deux conditions suivantes:(1) Cet appareil ne doit pas être source d'interférences, et (2) cet appareil doit accepter toute interférence reçue, y compris les interférences susceptibles d'entraîner des effets indésirables pour son opération.

CAN ICES-3 (B)/NMB-3(B)

Segway Inc. et Ninebot déclinent toute responsabilité pour tous changements ou toutes modifications n'ayant pas reçu l'approbation explicite de Segway Inc. ou Ninebot. De telles modifications sont susceptibles d'entraîner la révocation de l'autorisation d'utilisation de l'appareil.

E22	FCC ID: 2ALS8-NT9529 IC: 22636-NT9529	E25A	FCC ID: 2ALS8-KS0003 IC: 22636-KS0003	E45	FCC ID: 2ALS8-KS0001 IC: 22636-KS0001
-----	--	------	--	-----	--

Pour le modèle : E22D, E22E, E25D, E25E, E45D, E45E

Ce produit est certifié ANSI / CAN / UL-2272 par CSA.

La batterie est conforme à la norme UN/DOT 38.3.

### Déclaration de conformité Union européenne

#### Informations importantes sur les DEEE



Informations sur l'élimination et le recyclage des DEEE Élimination correcte de ce produit. Ce marquage indique que ce produit ne doit pas être éliminé avec d'autres déchets ménagers dans l'ensemble de l'UE.

Pour éviter tout risque d'atteinte à l'environnement ou à la santé humaine dû à une élimination incontrôlée des déchets, recyclez-le afin de promouvoir la réutilisation durable des ressources en matériaux. Pour retourner votre appareil usagé, veuillez utiliser les systèmes de retour et de collecte ou contacter le détaillant où l'appareil a été acheté.. Ils peuvent prendre ce produit pour un recyclage sans danger pour l'environnement.

#### Information de recyclage de la batterie pour l'Union européenne



Les batteries ou emballages pour batteries sont étiquetés conformément à la Directive européenne 2006/66/CE concernant les batteries et piles, et les batteries et piles usagées. La Directive établit un cadre pour la collecte et le recyclage des batteries et piles usagées applicable dans l'ensemble de l'Union européenne. Cet étiquetage est appliqué à diverses batteries pour indiquer que la batterie ne doit pas être jetée mais récupérée en fin de vie conformément à cette Directive.

Conformément à la Directive européenne 2006/66/CE, les batteries et piles sont étiquetées de manière à indiquer qu'elles doivent être recueillies séparément et recyclées en fin de vie. L'étiquetage de la batterie peut également inclure le symbole chimique du métal contenu dans la batterie (Pb pour le plomb, Hg pour le mercure et Cd pour le cadmium). Les utilisateurs de batteries et piles ne doivent pas les jeter comme déchets ménagers non triés, mais utiliser les infrastructures mises à disposition des consommateurs en vue de leur collecte, recyclage et traitement. La participation des consommateurs est importante afin de minimiser les effets potentiels des batteries et piles sur l'environnement et la santé en raison de la présence de substances dangereuses.

Avant de placer des équipements électriques et électroniques (EEE) dans le flux de collecte des déchets ou dans des installations de collecte des déchets, l'utilisateur final des équipements contenant des piles et / ou des accumulateurs doit retirer ces piles et ces accumulateurs pour une collecte séparée.

#### Directive relative à la limitation des substances dangereuses (RoHS)

Ce produit Ninebot (Changzhou) Tech Co., Ltd., avec les pièces incluses (câbles, cordons, etc.) est conforme aux exigences de la directive 2011/65/UE relative à la limitation de l'utilisation de certaines substances dangereuses dans les équipements électriques et électroniques. ("Refonte RoHS" ou "RoHS 2").

### Directive sur l'équipement radio

Par la présente, la société « Segway Europe BV » déclare que cet appareil est conforme aux exigences essentielles et autres dispositions pertinentes de la directive RED 2014/53/EU, de la directive machine 2006/42/CE et de la directive RoHS 2011/65/EU.

La déclaration de conformité peut être consultée en langue originale à l'adresse suivante : <http://eu-en.segway.com/support-instructions>



### Segway Europe B.V.

Adresse de contact UE pour les questions réglementaires uniquement : Hogehilweg 8, 1101CC Amsterdam, Pays-Bas.

Ninebot (Changzhou) Tech Co., Ltd. déclare par les présentes que les équipements sans fil répertoriés dans la présente section répondent aux exigences essentielles et autres provisions pertinentes de la Directive 2014/53/EU.

Bluetooth	Bandes de fréquence (s)	2.4000-2.4835GHz
	Max. Puissance RF	100mW

## 14 Marque commerciale et déclaration juridique

Ninebot est une marque déposée de Ninebot (Tianjin) Tech. Co., Ltd; Segway et Rider Design sont les marques déposées de Segway Inc.; Android et Google Play sont des marques commerciales de Google Inc.; App Store est une marque de service de Apple Inc. Les propriétaires respectifs se réservent les droits de leurs marques commerciales mentionnées dans ce manuel.

Le KickScooter est couvert par les brevets s'y afférent. Pour obtenir des informations sur les brevets, visitez <http://www.segway.com>.

Nous avons tenté d' inclure des descriptions et des instructions pour toutes les fonctions du KickScooter au moment de l' impression. Cependant, en raison de l'amélioration constante des fonctionnalités de l'appareil et des modifications de conception, votre KickScooter peut différer légèrement de celui présenté dans ce document. Visitez l' App Store d' Apple (IOS) ou le Google Play Store (Android) pour télécharger et installer l'appli.

Veillez noter qu'il existe de multiples modèles Segway et Ninebot possédant des fonctionnalités différentes, et certaines des fonctionnalités mentionnées ici peuvent ne pas s'appliquer à votre unité. Le fabricant se réserve le droit de modifier l'apparence et la fonctionnalité du produit et de la documentation KickScooter sans préavis.

© 2020 Segway Inc. Tous droits réservés.

## 15 Contacts

Contactez-nous si vous rencontrez des problèmes associés à l'utilisation, l'entretien et la sécurité ou en cas d'erreurs / de fautes en lien avec le KickScooter.

### Europe, Moyen-Orient et Afrique:

#### Segway Europe B.V.

Hogehilweg 8, 1101CC Amsterdam, Pays-Bas

Site Web: [www.segway.com](http://www.segway.com)

Assurez-vous de disposer du numéro de série de votre KickScooter lorsque vous contactez Segway.

Vous trouverez ce numéro de série au-dessous de votre KickScooter ou dans l'application, dans le menu Plus de paramètres -> Informations de base.

# Ninebot KickScooter

## Benutzerhandbuch



Le fabricant se réserve le droit d'apporter des modifications au produit, de publier des mises à jour du microprogramme et de réviser ce manuel à tout moment. Visitez [www.segway.com](http://www.segway.com) ou consultez l'application pour télécharger les derniers contenus utilisateur. Vous devez installer l'application, activer votre KickScooter et obtenir les dernières mises à jour et consignes de sécurité.

[www.segway.com](http://www.segway.com)



Übersetzung der originalen Anleitung

## Inhalt

1 Sicherheit beim Fahren	02
2 Packliste	04
3 Diagramm	05
4 Zusammenbau Ihres KickScooter	06
5 Ein zweites Batterie-Pack installieren (optional)	07
6 Erste Fahrt	08
7 Aufladen	09
8 Fahren lernen	09
9 Warnhinweise	11
10 Zusammenklappen und Transport	15
11 Wartung und Pflege	15
12 Technische Daten	17
13 Zertifizierungen	20
14 Marke und rechtlicher Hinweis	23
15 Kontakt	23

## Vielen Dank, dass Sie sich für die Ninebot KickScooter entschieden haben!

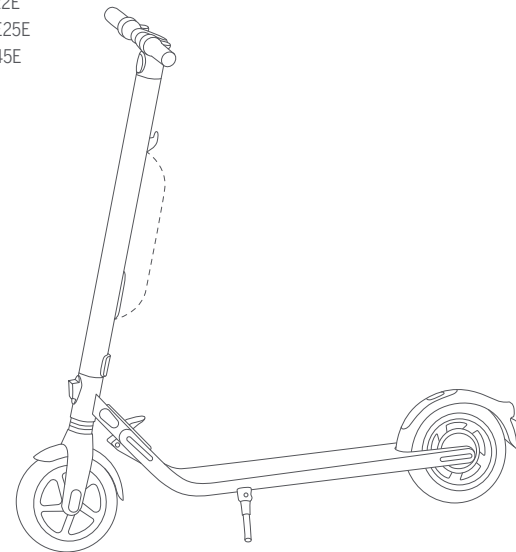
Vielen Dank, dass Sie sich für den Ninebot KickScooter (nachfolgend KickScooter genannt) entschieden haben!  
Ihr KickScooter ist ein trendy Beförderungsgerät mit mobiler App, über die Sie sich mit anderen Fahrern verbinden können.  
Genießen Sie Ihre Fahrt und verbinden Sie sich mit Fahrern weltweit!

Dieses Handbuch gilt für folgende Modelle:

Serien E22: E22 / E22D / E22E

Serien E25: E25A / E25D / E25E

Serien E45: E45 / E45D / E45E



### ⚠️ WARNUNG!

Benutzen Sie im Notfall immer sowohl die Elektro- als auch die Fußbremse, da ansonsten die Gefahr von Stürzen und/oder Zusammenstößen aufgrund zu geringer Bremswirkung besteht.

\* Das Bild dient nur als Referenz. Bitte beziehen Sie sich auf das aktuelle Produkt für weitere Details.



# 1 Sicherheit beim Fahren

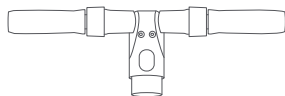
- Der KickScooter ist ein Fahrzeug für den Freizeitgebrauch. Zur Beherrschung des Fahrzeugs müssen Sie den Umgang damit üben. Weder Ninebot Inc. noch Segway Inc. können für irgendwelche Verletzungen oder Schäden haftbar gemacht werden, die auf die Unerfahrenheit eines Fahrers oder die Nichteinhaltung der Hinweise in vorliegendem Dokument zurückzuführen sind.
- Bitte haben Sie Verständnis dafür, dass Sie das Risiko durch die Einhaltung aller Anweisungen und Warnhinweise in diesem Handbuch zwar reduzieren können, dass sich aber nicht alle Risiken ausschließen lassen. Denken Sie daran, dass Sie sich beim Fahren mit dem KickScooter möglicherweise durch Kontrollverlust, Zusammenstöße und Stütze verletzen können. Beim Befahren öffentlicher Räume sind Sie gehalten, sich an die lokalen Gesetze und Bestimmungen zu halten. Wie bei anderen Fahrzeugen auch erfordern höhere Geschwindigkeiten einen längeren Bremsweg. Abruptes Bremsen auf wenig griffigen Untergründen kann zu Radschlupf oder Stürzen führen. Lassen Sie Vorsicht walten und halten Sie bei der Fahrt immer einen sicheren Abstand zwischen Ihnen und anderen Personen oder Fahrzeugen ein. Seien Sie aufmerksam und verringern Sie die Geschwindigkeit, wenn Sie unbekanntes Gebiet erreichen.
- Tragen Sie während der Fahrt immer einen Schutzhelm. Verwenden Sie einen geprüften Fahrrad- oder Skateboard-Helm, der mit einem Kinnriemen sitzt und auch den hinteren Bereich des Kopfes schützt.
- Absolvieren Sie Ihre ersten Fahrversuche nicht in Bereichen, wo Sie möglicherweise mit Kindern, Fußgängern, Tieren, Fahrzeugen, Radfahrern oder sonstigen Hindernissen und potentiellen Gefahren rechnen müssen.
- Respektieren Sie Fußgänger, indem sie diesen immer Vorrang gewähren. Passieren Sie Fußgänger wann immer möglich auf der linken Seite. Wenn Sie sich einem Fußgänger von vorne nähern, bleiben Sie rechts und reduzieren Sie die Geschwindigkeit. Vermeiden Sie es, Fußgänger zu erschrecken. Wenn Sie sich einem Fußgänger von hinten nähern, machen Sie sich bemerkbar und reduzieren Sie Ihre Geschwindigkeit beim Vorbeifahren auf Schrittgeschwindigkeit. Bitte halten Sie bei außergewöhnlichen Situationen die lokalen Verkehrsregeln und Bestimmungen ein.
- Halten Sie in rechtsfreien Bereichen die in vorliegendem Handbuch aufgeführten Sicherheitsrichtlinien ein. Weder Ninebot Inc. noch Segway Inc. haften für irgendwelche Eigentumsschäden, Personenschäden/Todesfälle, Unfälle oder Rechtsstreitigkeiten, die auf Verstöße gegen die Sicherheitshinweise zurückzuführen sind.
- Erlauben Sie keiner anderen Person die selbstständige Benutzung Ihres KickScooter, ohne dass er/sie vorliegendes Handbuch gelesen und das Tutorial Neue Fahrer in der App absolviert haben. Die Sicherheit eines neuen Fahrers unterliegt Ihrer Verantwortung. Unterstützen Sie neue Fahrer so lange, bis sie mit den Basisfunktionen des KickScooter vertraut sind. Stellen Sie sicher, dass jeder Fahrer einen Helm und sonstige Schutzausrüstung trägt.
- Überprüfen Sie das Fahrzeug vor jeder Fahrt auf lose Befestigungsmittel und beschädigte Komponenten. Wenn der KickScooter ungewöhnliche Geräusche macht oder einen Alarmton abgibt, halten Sie dann unverzüglich an. Führen Sie eine Diagnose Ihres KickScooter über die Segway-Ninebot App durch und setzen Sie sich mit Ihrem Händler/Lieferanten zwecks Wartung in Verbindung.
- Seien Sie aufmerksam! Blicken Sie weit voraus und überwachen Sie den Bereich vor Ihrem KickScooter — Ihre Augen sind das beste Hilfsmittel, um Hindernisse sicher zu umfahren und rutschige Untergründe zu erkennen (einschließlich, jedoch nicht darauf beschränkt, nasse Fahrbahnen, loser Sand, loser Kies und Eis).
- Um das Verletzungsrisiko zu verringern, müssen Sie die alle "ACHTUNG"- und "WARNUNG"-Hinweise in vorliegendem Dokument lesen und befolgen. Fahren Sie nicht mit unangepasster Geschwindigkeit. Die Benutzung von Straßen, auf denen Kraftfahrzeuge fahren, ist unter allen Umständen verboten. Das vom Hersteller empfohlene Benutzeralter ist 14+ Jahren. Befolgen Sie immer die

## Sicherheitshinweise:

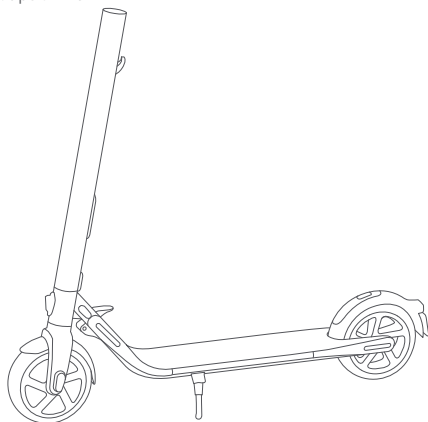
- Der KickScooter darf nicht benutzt werden von:
    - Personen, die unter Alkohol- oder Drogeneinfluss stehen.
    - Personen, die an Erkrankungen leiden, die bei körperlicher Anstrengung zu einem Risiko werden.
    - Personen, die Probleme mit dem Gleichgewicht oder mit motorischen Fähigkeiten haben, die das Ausbalancieren des Fahrzeugs beeinträchtigen könnten.
    - Personen, deren Gewicht die angegebenen Grenzwerte überschreitet (siehe technische Daten).
    - Schwangere.
  - Personen unter 18 Jahren dürfen das Fahrzeug nur unter Aufsicht eines Erwachsenen benutzen.
  - Beim Fahren sind die lokalen Gesetze und Bestimmungen einzuhalten. Das Fahrzeug dort nicht benutzen, wo es laut lokaler Gesetze verboten ist.
  - Zur Gewährleistung der Fahrsicherheit müssen Sie eine klare Sicht nach vorne haben und müssen Sie selbst für andere deutlich sichtbar sein.
  - Das Fahrzeug nicht im Schnee, im Regen oder auf nassen, matschigen, vereisten oder aus irgendwelchen sonstigen Gründen glatten Fahrbahnoberflächen benutzen. Nicht über Hindernisse fahren (Sand, loser Schotter oder Äste). Hierdurch verlieren Sie das Gleichgewicht oder die Traktion und kann es zu Stürzen kommen.
- Versuchen Sie nicht, Ihren KickScooter aufzuladen, wenn das Ladegerät oder die Steckdose feucht sind.
  - Verwenden Sie - wie bei allen anderen elektronischen Geräten - beim Laden einen Überspannungsschutz, um Ihren KickScooter gegen Beschädigungen durch Überlastungen und Spannungsspitzen zu schützen. Verwenden Sie zum Aufladen ausschließlich das von Segway mitgelieferte Ladegerät. Verwenden Sie kein Ladegerät eines anderen unterschiedlichen Produktmodells.
  - Verwenden Sie ausschließlich von Ninebot oder Segway zugelassene Ersatz- und Zubehörteile. Nehmen Sie keine Änderungen an Ihrem KickScooter vor. Modifikationen an Ihrem KickScooter könnten den Betrieb des KickScooter beeinträchtigen, zu schwerwiegenden Verletzungen und/oder Schäden und zu einem Verlust der beschränkten Garantie führen.
  - Kinder dürfen nicht mit dem Roller oder dessen Bestandteilen spielen und Kinder dürfen diesbezüglich keine Reinigungs- oder Instandhaltungsarbeiten durchführen. Der Gebrauch der Maschine resultiert in der Übertragung von Schwingungen, die den ganzen Körper des Fahrers durchdringen.
  - Der Roller bietet insbesondere in Bezug auf Straßengefälle in Parks, steile oder abschüssige Straßen, keine hinreichende Stabilität, um Verletzungssicherheit zu gewährleisten. Stellen Sie den Roller niemals so ab, dass die Vorderseite hangabwärts zeigt, da sich der Ständer schließen und die Maschine umkippen könnte. Überprüfen Sie die Stabilität des Rollers, sobald dieser auf seinem Ständer steht, um das Risiko auf ein Umfallen (durch Rutschen, Wind oder leichte Erschütterungen) zu vermeiden. Parken Sie den Roller nicht in stark frequentierten Bereichen, sondern vorzugsweise entlang einer Wand. Parken Sie Ihren Roller nach Möglichkeit stets auf ebenem Boden.
  - Es wird empfohlen, das Produkt regelmäßig zu warten, um eine optimale Fahrerfahrung zu gewährleisten.
  - Bitte lesen Sie vor dem Laden des Akkus das Benutzerhandbuch durch.
  - Hantieren Sie nicht am Bremssystem, da dies zu Sicherheitsverletzungen führen kann.
  - Der A-bewertete Emissionsschalldruckpegel beträgt weniger als 70 dB (A). Die vom KickScooter übertragenen mechanischen Schwingungen betragen weniger als 2,5 m/s<sup>2</sup>.

## 2 Packliste

Hebel



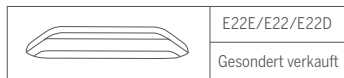
Hauptrahmen



Benutzermaterialien



Zweites Batterie-Pack



Zubehör

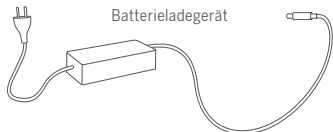
M5 Flachkopfschraube x 7  
(eine zusätzlich)



3mm Sechskantschlüssel



Batterieladegerät



Glocke

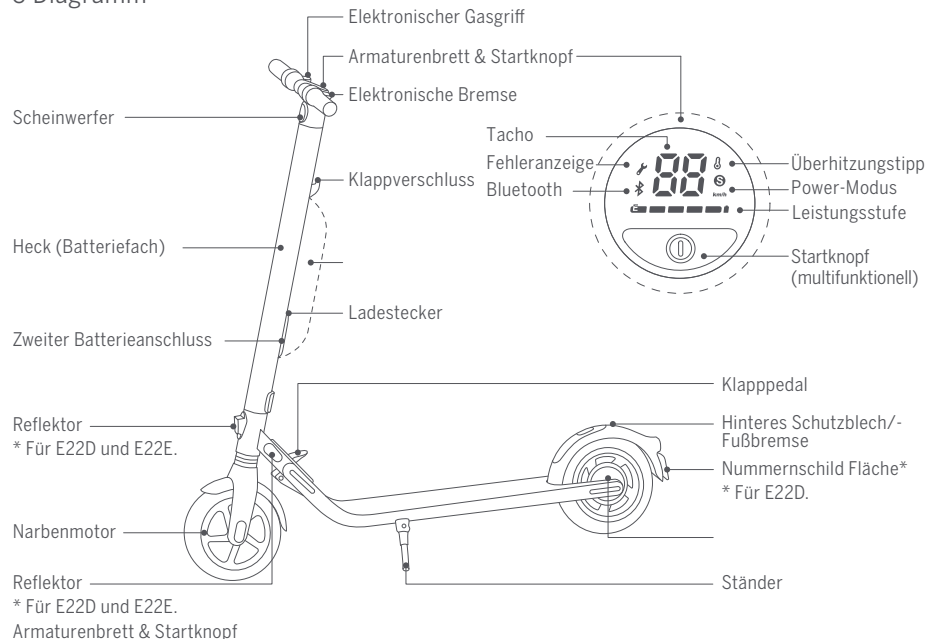


Überprüfen Sie bitte beim Auspacken Ihres KickScooter, dass die vorstehend genannten Artikel in der Packung enthalten sind. Wenn Sie irgendwelche Komponenten vermissen, wenden Sie sich an Ihren Händler/Lieferanten oder das nächstgelegene Servicecenter (siehe Kontakte im Benutzerhandbuch). Nachdem Sie sich vergewissert haben, dass alle Komponenten vorhanden und im guten Zustand sind, können Sie Ihren neuen KickScooter zusammenbauen.

Bitte bewahren Sie den Karton und die Verpackungsmaterialien für den Fall auf, dass Sie zukünftig Ihren KickScooter verschicken möchten.

Denken Sie daran, den KickScooter vor dem Zusammenbau, der Montage von Zubehörteilen oder der Reinigung des Hauptrahmens auszuschalten und das Ladekabel abzuziehen.

## 3 Diagramm



Tacho: Zeigt die aktuelle Geschwindigkeit an. Hier werden auch Fehlercodes bei Erkennen von Fehlern angezeigt.

Energiestufe: Zeigt die verbleibende Batterieleistung mit 5 Balken an. Jeder Balken entspricht etwa 20 % der Batterieleistung.

Powermodus:

—Rotes "S"-Symbol: Sportmodus (maximale Leistung/Geschwindigkeit).

—Weißes "S"-Symbol: Standardmodus (mittlere Leistung/Geschwindigkeit).

—Kein "S"-Symbol: Geschwindigkeitsbeschränkungsmodus (minimale Leistung/Geschwindigkeit).

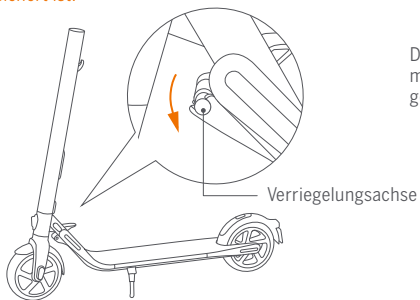
Bluetooth: Ein blinkendes Bluetooth-Symbol weist darauf hin, dass das Fahrzeug anschlussbereit ist. Ein stetig aufleuchtendes Bluetooth-Symbol weist darauf hin, dass das Fahrzeug an ein mobiles Gerät angeschlossen ist.

Startknopf: Zum Einschalten kurz drücken. Zum Ausschalten länger drücken. Wenn eingeschaltet, ein einziger Klick zum Ein-/Ausschalten des Scheinwerfers. Doppelklick, um den Powermodus zu ändern.

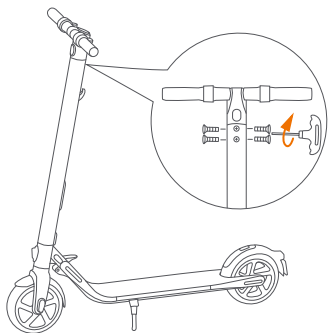
## 4 Zusammenbau Ihres KickScooter

1. Lenkervorbau ausklappen und so lange schieben, bis Sie einen Klick hören. Das Klapppedal hochklappen. Klappen Sie den Ständer herunter, um den Roller abzustellen.

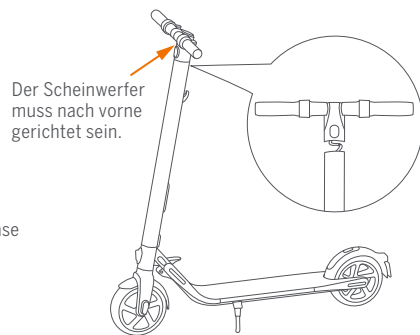
**Hinweis:** Vergewissern Sie sich, dass die Verriegelungsachse am Klappmechanismus korrekt gesichert ist.



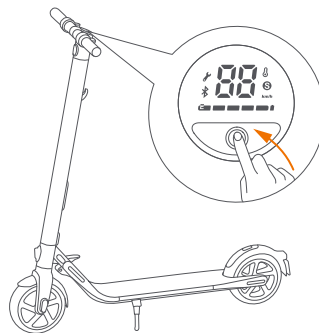
3. Ziehen Sie die 6 Schrauben (zwei auf jeder Seite) mit dem mitgelieferten Sechskantschlüssel an.



2. Schließen Sie die Kabel in Lenker und Lenkervorbau gut an. Schieben Sie den Griff auf den Lenkervorbau. Achten Sie auf die korrekte Ausrichtung.



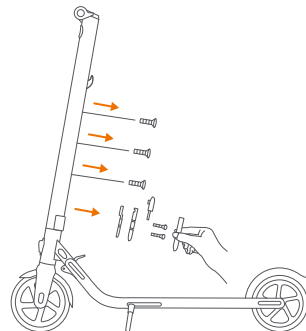
4. Überprüfen Sie, ob sich Ihr KickScooter ein- und ausschalten lässt.



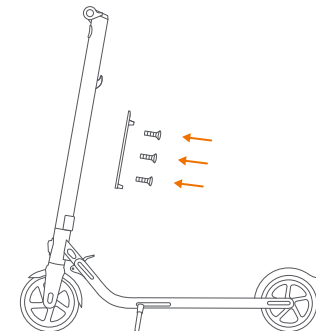
## 5 Installation eines zweiten Batterie-Packs (optional)

**⚠ Achtung:** Bitte verwenden Sie nur die mitgelieferten Schrauben!

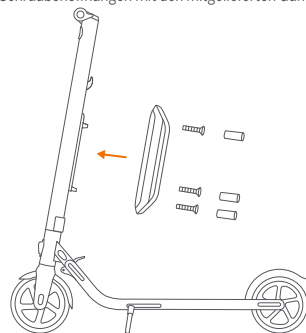
1. Entfernen Sie die drei Schrauben auf dem Lenkervorbau wie dargestellt. Entfernen Sie anschließend die Abdeckung in der Nähe der Ladesteckdose und entfernen Sie die M3-Schraube.



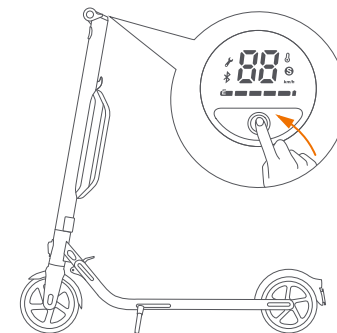
2. Montieren Sie die Halterung mit den mitgelieferten M4 Schrauben (10mm / 3 Stk.). Bitte beachten Sie, dass diese ordentlich festgezogen werden.



3. Montieren Sie die externe Batterie auf der Halterung und befestigen Sie diese mit den mitgelieferten M4 Schrauben (20mm / 2 Stk.) und die M3 Schraube (1 Stück). Nachdem Sie diese ordentlich festgezogen haben, verdecken Sie die Schraubenöffnungen mit den mitgelieferten Gummistöpseln.



4. Überprüfen Sie, ob sich Ihr KickScooter ein- und ausschalten lässt.



## 6 Erste Fahrt



Segway-Ninebot App

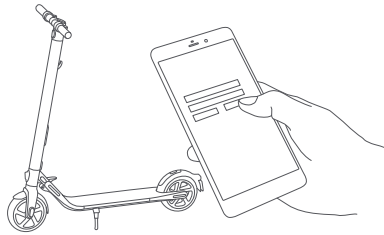
⚠️ Beim Fahrtraining mit dem KickScooter können Sicherheitsrisiken auftreten. Lesen Sie sich deshalb vor der ersten Fahrt die Sicherheitsanweisungen über die App durch.

Ihr neuer KickScooter ist zu Ihrer Sicherheit nicht aktiviert, und es ertönt nach dem EINSCHALTEN zeitweise ein Piepton.

Bis zur Aktivierung kann der KickScooter nur mit äußerst geringer Geschwindigkeit und nicht mit allen Funktionen gefahren werden. Installieren Sie die App auf Ihrem Mobilgerät (mit Bluetooth 4.0 oder höher), verbinden Sie den KickScooter über Bluetooth und befolgen Sie die Anweisungen zur Aktivierung Ihres KickScooter in der App. Danach können Sie das volle Leistungsspektrum nutzen.

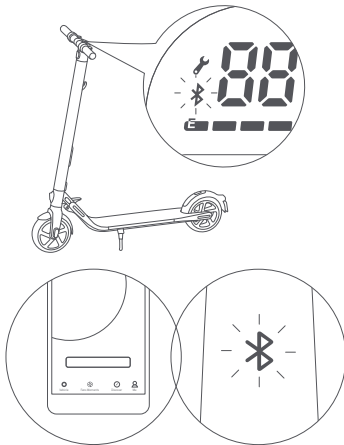
Scannen Sie den QR-Code zum Herunterladen der App ein (iOS 9.0 oder höher, Android™ 4.3 oder höher).

- 1 Installieren Sie die App und melden Sie sich an/login Sie sich ein.



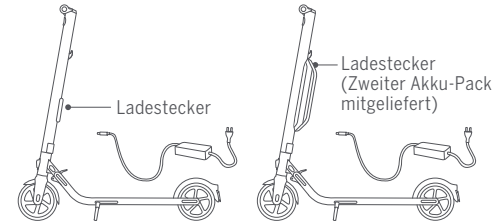
- 3 Klicken Sie "Nach Fahrzeug scannen", um sich mit Ihrem KickScooter zu verbinden. Der KickScooter gibt einen Piepton ab, wenn die Verbindung erfolgreich zu Stande gekommen ist. Das Bluetooth-Symbol blinkt nicht mehr und brennt ununterbrochen.

- 2 Schalten Sie den KickScooter ein. Ein blinkendes Bluetooth-Symbol weist darauf hin, dass der KickScooter auf eine Verbindung wartet.

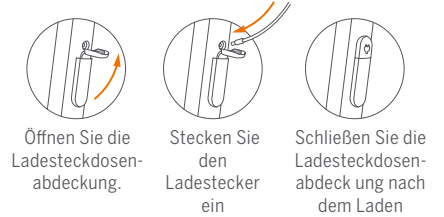


- 4 Befolgen Sie die Anweisungen der App zu Aktivierung des KickScooter und erlernen Sie das sichere Fahren mit dem Roller. Sie können jetzt Ihren KickScooter benutzen. Überprüfen Sie den Betriebszustand mit Hilfe der App und tauschen Sie sich mit anderen Benutzern aus. Viel Spaß!

## 7 Laden



Tipps für Aufladeschritt



### ⚠️ WARNUNG

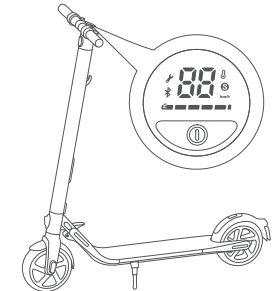
Verbinden Sie das Ladegerät nicht, wenn Ladesteckdose oder Ladekabel feucht sind. Laden oder verwenden Sie Ihren Akku nicht, wenn er beschädigt ist oder Wasserrückstände aufweist.

Ihr KickScooter ist vollständig geladen, wenn die LED auf dem Ladegerät von Rot (Laden) auf Grün (Erhaltungsladen) umschaltet. Schließen Sie die Ladesteckdosenabdeckung, wenn die Batterie nicht geladen wird.

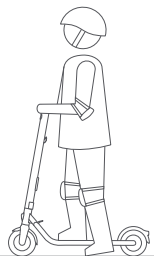
## 8 Fahren lernen



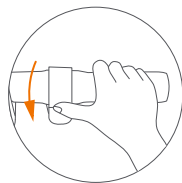
Tragen Sie einen zugelassenen Schutzhelm und andere Schutzkleidung, um jegliche möglichen Verletzungen zu minimieren.



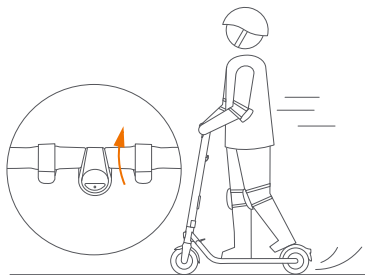
1. Schalten Sie den Roller an und überprüfen Sie die Ladeniveau-Leuchtanzeige. Laden Sie den Roller bei niedrigem Batteriestand auf.



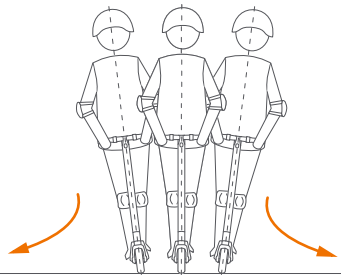
2. Setzen Sie einen Fuß auf die Fußablage und stoßen Sie sich mit dem Fuß ab, um loszugleiten.



3. Setzen Sie den anderen Fuß auf die Fußablage, um beide Füße stabil zu halten. Drücken Sie den Gasgriff rechts, um die Geschwindigkeit zu erhöhen, wenn Sie das Gleichgewicht gefunden haben.  
**Hinweis: Zu Ihrer Sicherheit setzt der Motor erst ein, wenn der Roller eine Geschwindigkeit von 2.5 mph (4 km/h) erreicht hat.**



4. Verringern Sie die Geschwindigkeit durch Loslassen des Gasgriffs. Drücken Sie die elektronische Bremse und treten Sie gleichzeitig mit dem Fuß auf den Kotflügel, um eine schnelle Bremsung zu erreichen.



5. Verlagern Sie beim Abbiegen Ihr Körpergewicht und drehen Sie vorsichtig den Lenker.

**⚠️ WARNUNG**

Bei abruptem Abbremsen besteht das Risiko ernstere Verletzungen aufgrund des Traktionsverlustes und der Sturzgefahr. Fahren Sie mit angemessener Geschwindigkeit und achten Sie auf potentielle Gefahren.

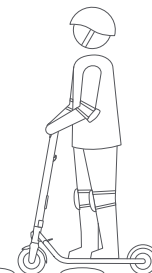
## 9 Warnungen

**⚠️ WARNUNG**

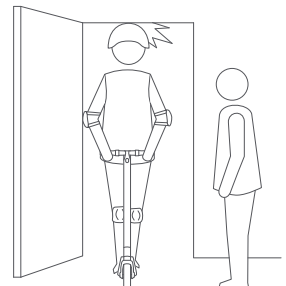
Die Nichteinhaltung dieser Hinweise kann schwerwiegende Verletzungen nach sich ziehen.



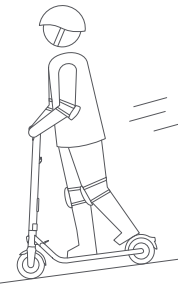
**⚠️** Fahren Sie mit dem Roller NICHT im Regen.



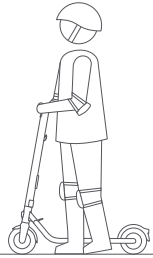
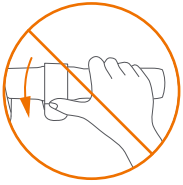
**⚠️** Fahren Sie nicht schneller als 5 bis 10 km/h über Drepel, Schwellen, unebene Straßen oder andere unebene Oberflächen. Beugen Sie Ihr Knie, um sich besser an die genannten Oberflächen anzupassen.



**⚠️** Passen Sie auf Ihren Kopf auf, wenn Sie unter Türöffnungen hindurch fahren.



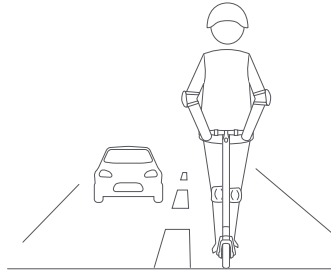
**⚠️** Achten Sie beim Bergabfahren auf Ihre Geschwindigkeit. Betätigen Sie beide Bremsen zusammen, wenn Sie mit hoher Geschwindigkeit fahren.



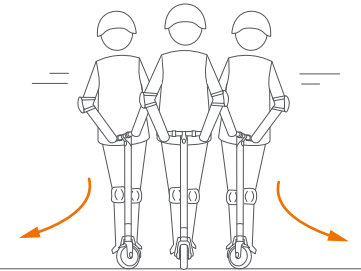
⚠️ Betätigen Sie den Gasgriff **NICHT**, wenn Sie den Roller schieben.



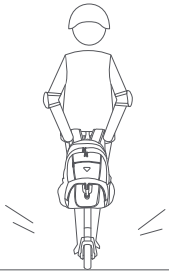
⚠️ Vermeiden Sie den Kontakt von Reifen/Rad mit eventuellen Hindernissen.



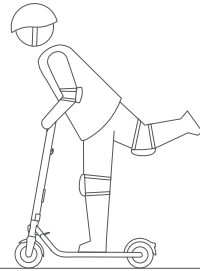
⚠️ Fahren Sie **NICHT** auf öffentlichen Straßen, Autobahnen oder Bundesstraßen.



⚠️ Drehen Sie den Lenker **NICHT** zu heftig, wenn Sie mit hoher Geschwindigkeit fahren.



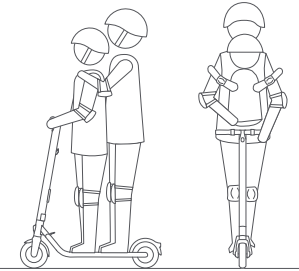
⚠️ Transportieren Sie **KEINE** schweren Objekte auf dem Lenker.



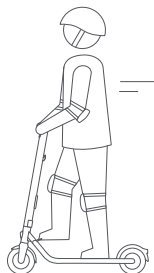
⚠️ Fahren Sie den Roller **NICHT** mit nur einem Fuß.



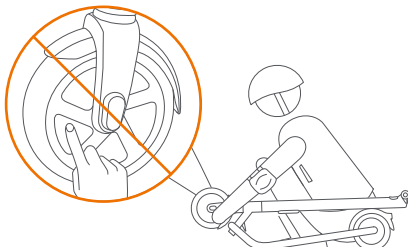
⚠️ Fahren Sie nicht durch Pfützen oder andere (aus Wasser bestehende) Hindernisse. Verringern Sie in diesem Fall Ihre Geschwindigkeit und umfahren Sie das Hindernis.



⚠️ Der KickScooter ist nur für einen Fahrer vorgesehen. Fahren Sie nicht zu zweit oder lassen Sie keine anderen Passagiere mitfahren. Kein Kind transportieren.



⚠ Das Klapppedal **NICHT** während der Fahrt betätigen.

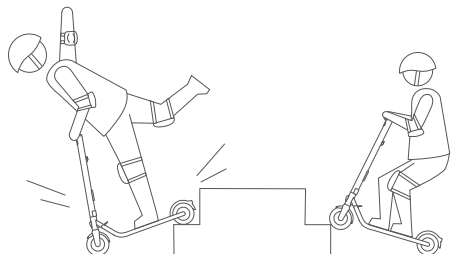


⚠ Den Nabenmotor nach der Fahrt **NICHT** berühren, Verbrennungsgefahr.



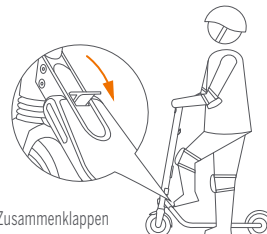
⚠ Nehmen Sie die Hände bei der Fahrt **NICHT** vom Lenker. **NICHT** einhändig fahren.

⚠ **WARNUNG**  
Halten Sie immer beide Hände am Lenker oder Sie riskieren schwerwiegende Verletzungen aufgrund von Gleichgewichtsverlust und Sturzgefahr.



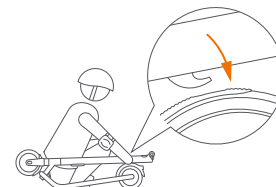
⚠ **NICHT** Treppen hoch oder hinunter fahren oder über Hindernisse springen.

## 10 Zusammenklappen und Transport

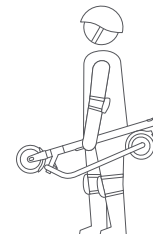


Zusammenklappen

Steigen Sie auf das Klapppedal, während Sie den Lenker etwas nach vorne schieben.



Klappen Sie jetzt den Lenker nach unten, bis er im hinteren Schutzblech einrastet.



Wenn Ihr KickScooter zusammengeklappt ist, zum Wegtragen einfach am Lenkervorbau fassen.

## 11 Wartung

### Reinigung und Lagerung

Verwenden Sie zum Abwischen des Hauptrahmens ein weiches, feuchtes Tuch. Schwer zu entfernender Schmutz kann mit einer Zahnbürste und Zahnpasta entfernt werden, anschließend mit einem weichen, feuchten Tuch abwischen.

### HINWEIS

Waschen Sie Ihren KickScooter nicht mit Alkohol, Benzin, Aceton oder anderen korrosiven/flüchtigen Lösungsmitteln. Diese Substanzen können das Äußere und die interne Struktur Ihres KickScooter angreifen. Waschen Sie Ihren KickScooter nicht mit einem Hochdruckreiniger oder Hochdruckschlauch.

### ⚠ **WARNUNG**

Stellen Sie sicher, dass der KickScooter vor dem Reinigen ausgeschaltet, das Ladekabel abgezogen und die Gummikappe auf der Ladesteckdose dicht verschlossen ist, da es ansonsten zu Beschädigungen der elektronischen Komponenten kommen kann. Bewahren Sie Ihren KickScooter an einem kühlen und trockenen Ort auf. Nicht für einen längeren Zeitraum im Außenbereich abstellen. Durch Sonnenlicht und extreme Temperaturen (sowohl Hitze als auch Kälte) wird der Alterungsprozess der Plastikkomponenten beschleunigt und kann sich die Lebensdauer der Batterie verringern.

### Akkus Instandhaltung für Benutzer

Nehmen Sie den Akku nicht heraus. Das Entfernen des Akkus ist ein komplizierter Vorgang und kann den Betrieb der Maschine verändern: Sie können einen autorisierten Reparatur kontaktieren, falls das Produkt noch unter die Garantie fällt. Falls das Produkt nicht unter die Garantie fällt, können Sie einen Fachreparatur Ihrer Wahl kontaktieren. Sie können beim Kundenservice unter [www.segway.com](http://www.segway.com) eine Liste der autorisierten Reparaturwerkstätten erfragen. Bei weiteren Fragen steht Ihnen der Kundenservice unter [www.segway.com](http://www.segway.com) zur Seite.

Batterien dürfen nicht bei Temperaturen außerhalb der festgelegten Grenzwerte (siehe Technische Daten) aufbewahrt oder geladen werden. Die Batterien nicht durchstechen. Beachten Sie die lokalen Gesetze und Bestimmungen bezüglich des Recycling und/oder der Entsorgung von Batterien.

Eine ordnungsgemäß gewartete Batterie kann auch nach zahlreichen Kilometern immer noch gute Leistungen bringen. Laden Sie die Batterie nach jeder Fahrt und vermeiden Sie ein vollständiges Entleeren der Batterie. Wird die Batterie bei Zimmertemperatur (70°F [22°C]) verwendet, sind Reichweite und Leistung optimal; bei Temperaturen unterhalb von 32°F (0°C) können Reichweite und Leistung sinken. Normalerweise halbiert sich bei -4°F (-20°C) die Reichweite der Batterie im Vergleich zu 70°F (22°C). Die Batterie Reichweite erholt sich mit ansteigender Temperatur. Weitere Einzelheiten sind in der App verfügbar.

### Reifen austauschen

Im Lieferumfang des Produkts enthaltene Ersatzreifen müssen durch einen Fachreparatur am Rad befestigt werden. Das Entfernen von Rädern ist ein komplizierter Vorgang und eine unsachgemäße Montage kann zu Instabilitäten und Fehlfunktionen führen:

- Wenden Sie sich an eine autorisierte Reparaturwerkstatt, falls das Produkt noch der Herstellergarantie unterliegt. Sie können beim Kundenservice unter [www.segway.com](http://www.segway.com) eine Liste der autorisierten Reparaturwerkstätten erfragen.
- Falls das Produkt nicht länger der Herstellergarantie unterliegt, können Sie sich an eine beliebige spezialisierte Reparaturwerkstatt wenden.
- Bei Fragen können Sie sich an den Kundenservice unter [www.segway.com](http://www.segway.com) wenden.

### HINWEIS

Normalerweise hält eine vollgeladene Batterie im Stand-by-Betrieb ihre Ladung für 120-180 Tage. Eine Batterie mit geringer Leistung sollte ihre Ladung im Stand-by-Betrieb für 30-60 Tage halten. Denken Sie daran, die Batterie nach jeder Benutzung aufzuladen. Das vollständige Entleeren der Batterie kann zu deren dauerhaften Beschädigung führen. Elektronische Komponenten in der Batterie zeichnen die Lade-Entladebedingungen der Batterie auf; durch Über- oder Unterladung verursachte Schäden werden nicht durch die beschränkte Garantie gedeckt.

### ⚠️ WARNUNG

Laden oder verwenden Sie Ihren Akku nicht, wenn er beschädigt ist oder Wasserrückstände aufweist. Versuchen Sie nicht, die Batterie zu zerlegen. Es besteht Feuergefahr. Keine vom Benutzer zu wartenden Teile.

### ⚠️ WARNUNG

Fahren Sie nicht, wenn die Umgebungstemperatur außerhalb der Maschinenbetriebstemperatur liegt (siehe Spezifikationen), da niedrige/hohe Temperaturen die maximale Leistung/das maximale Drehmoment begrenzt. Andernfalls kann es zu Verletzungen oder Sachschäden aufgrund von Rutsch- oder Sturzvorfällen kommen.

### Weitere

Das externe flexible Kabel dieses Transformators kann nicht ausgetauscht werden; falls das Kabel beschädigt wird, muss der Transformator entsorgt und durch einen neuen ersetzt werden. Bei Fragen können Sie sich an den Kundenservice unter [www.segway.com](http://www.segway.com) wenden.

Bei Unfällen oder Störungen: Bitte kontaktieren Sie einen autorisierten Reparatur, falls das Produkt noch unter die Garantie fällt. Falls das Produkt nicht mehr unter die Garantie fällt, können Sie einen Fachreparatur Ihrer Wahl kontaktieren. Sie können beim Kundenservice unter [www.segway.com](http://www.segway.com) eine Liste der autorisierten Reparaturwerkstätten erfragen. Bitte wenden Sie sich bei Fragen an den Kundenservice unter [www.segway.com](http://www.segway.com) wenden.

Es wurden Anstrengungen unternommen, um die Formulierung für Fahrer verständlicher zu machen. Wir empfehlen Fahrern, sich an einen autorisierten Reparatur bzw. Fachreparatur oder an den Kundenservice vzu wenden, falls eine Handlung zu kompliziert erscheint.

## 12 Technische Daten

	Artikel	E22D/E22E	E22
Maße	Länge x Breite x Höhe	43.7 × 16.5 × 44.1 in (111 × 42 × 112 cm)	42.9 × 16.5 × 44.1 in (109 × 42 × 112 cm)
	Gefaltet: Länge x Breite x Höhe	44.9 × 16.5 × 14.2 in (114 × 42 × 36 cm)	44.5 × 16.5 × 14.2 in (113 × 42 × 36 cm)
Gewicht	Nettogewicht	Approx. 29.8 lbs (13.5kg)	
	Traglast	55–220 lbs (25–100 kg)	
Fahrer	Altersempfehlung	14+ years	
	Erforderliche Höhe	3'11"–6'6" (120–200 cm)	
	Höchst geschwindigkeit	12.4 mph (20 km/h)	
Maschinenparameter	Normale Reichweite <sup>[1]</sup>	13.7 miles (22 km)	
	Höchst steigung	15%	
	Befahrbares Gelände	Asphalt/ebener Untergrund; Hindernisse < 0.4 in (1 cm); Löcher < 1.2 in (3 cm)	
	Betriebstemperatur	14–104°F (-10–40°C)	
	Lagertemperatur	-4–122°F (-20–50°C)	
	IP-Klassifizierung	IPX4	
	Ladedauer	3.5 h	
Batterie	Nennspannung	36 V===	
	Max. Ladespannung	42 V===	
	Ladetemperatur	32–104°F (0–40°C)	
	Nennleistung	184 Wh	
	Batteriemanagementsystem	Überhitzungs-, Kurzschluss-, Überstrom-, überentladung, und Überladeschutz	
Motor	Zahl der Batterien <sup>[2]</sup>	1	
	Nennleistung	300 W, 0.3 kW	
Ladegerät	Nennausgangsleistung	71 W, 0.071 kW	
	Eingangsnennspannung	100–240 V -	
	Ausgangsnennspannung	42 V===	
Ausstattung	Nennstrom	1.7 A	
	Bremsleuchte	LED-Rückleuchte	
	Fahrmodi	Geschwindigkeitsbeschränkter Modus, Standardmodus und Sportmodus	
Reifen	Reifen	Material: keine Luftbereifung, synthetisches Gummi. Größe: 9 Zoll	

[1] Normale Reichweite: Tests wurden bei Fahrten mit voller Leistung, 165lbs (75 kg) Traglast, 77°F (25°C), 60 % der Höchstgeschwindigkeit auf durchschnittlichem Straßenbelag durchgeführt.

\* Einige der Faktoren, die die Reichweite beeinflussen sind: Geschwindigkeit, Anzahl der Starts und Stopps, Temperatur, usw.

[2] Alle KickScooter-Modelle können mit einer zweiten Batterie ausgestattet werden. In diesem Falle ändern sich einige Parameter.



	Artikel	E25D	E25E	E25A
Maße	Länge x Breite x Höhe	43.7 × 16.5 × 44.1 in (111 × 42 × 112 cm)		
	Gefaltet: Länge x Breite x Höhe	44.9 × 16.5 × 14.2 in (114 × 42 × 36 cm)		
Gewicht	Nettogewicht	31.5 lbs (14.3 kg)		
Fahrer	Traglast	55–220 lbs (25–100 kg)		
	Altersempfehlung	14+ years		
	Erforderliche Höhe	3'11"–6'6" (120–200 cm)		
Maschinenparameter	Höchst geschwindigkeit	12.4 mph (20 km/h)	15.5 mph (25 km/h)	17.4 mph (28 km/h)
	Normale Reichweite <sup>[1]</sup>	15.5 miles (25 km)		
	Höchst steigung	15%		
	Befahrbares Gelände	Asphalt/ebener Untergrund; Hindernisse < 0.4 in (1 cm); Löcher < 1.2 in (3 cm)		
	Betriebstemperatur	14–104°F (-10–40°C)		
	Lagertemperatur	-4–122°F (-20–50°C)		
	IP-Klassifizierung	IPX4		
	Ladedauer	4 h		
Batterie	Nennspannung	36 V===		
	Max. Ladespannung	42 V===		
	Ladetemperatur	32–104°F (0–40°C)		
	Nennleistung	215 Wh		
	Nennenergie	5960 mAh		
	Batteriemanagementsystem	Überhitzungs-, Kurzschluss-, Überstrom-, überentladung, und Überladeschutz		
	Zahl der Batterien <sup>[2]</sup>	1		
Motor	Nennleistung	300 W, 0.3 kW		
	Nennausgangsleistung	71 W, 0.071 kW		
Ladegerät	Eingangsnennspannung	100–240 V -		
	Ausgangsnennspannung	42 V===		
	Nennstrom	1.7 A		
Ausstattung	Bremsleuchte	LED-Rückleuchte		
	Stoßdämpfer	vorne		
	Stimmungslicht	/	Konfigurierbare Farbe	Konfigurierbare Farbe
	Fahrmodi	Geschwindigkeitsbeschränkter Modus, Standardmodus und Sportmodus		
Reifen	Reifen	Material: keine Luftbereifung, synthetisches Gummi. Größe: 9 Zoll		

[1] Normale Reichweite: Tests wurden bei Fahrten mit voller Leistung, 165lbs (75 kg) Traglast, 77°F (25°C), 60 % der Höchstgeschwindigkeit auf durchschnittlichem Straßenbelag durchgeführt.

\* Einige der Faktoren, die die Reichweite beeinflussen sind: Geschwindigkeit, Anzahl der Starts und Stopps, Temperatur, usw.

[2] Alle KickScooter-Modelle können mit einer zweiten Batterie ausgestattet werden. In diesem Falle ändern sich einige Parameter.

	Artikel	E45	E45D	E45E
Maße	Länge x Breite x Höhe	43.7 × 16.5 × 44.1 in (111 × 42 × 112 cm)		
	Gefaltet: Länge x Breite x Höhe	44.9 × 16.5 × 14.2 in (114 × 42 × 36 cm)		
Gewicht	Nettogewicht	33.1 lbs (15.0 kg)		
Fahrer	Traglast	55–220 lbs (25–100 kg)		
	Altersempfehlung	14+ years		
	Erforderliche Höhe	3'11"–6'6" (120–200 cm)		
Maschinenparameter	Höchst geschwindigkeit	18.6 mph (30 km/h)	12.4 mph (20 km/h)	15.5 mph (25 km/h)
	Normale Reichweite <sup>[1]</sup>	28.0 miles (45 km)		
	Höchst steigung	15%		
	Befahrbares Gelände	Asphalt/ebener Untergrund; Hindernisse < 0.4 in (1 cm); Löcher < 1.2 in (3 cm)		
	Betriebstemperatur	14–104°F (-10–40°C)		
	Lagertemperatur	-4–122°F (-20–50°C)		
	IP-Klassifizierung	IPX4		
	Ladedauer	7.5 h		
Batterie	Nennspannung	36 V===		
	Max. Ladespannung	42 V===		
	Ladetemperatur	32–104°F (0–40°C)		
	Nennleistung	368 Wh		
	Nennenergie	10.2 Ah		
	Batteriemanagementsystem	Überhitzungs-, Kurzschluss-, Überstrom-, überentladung, und Überladeschutz		
Motor	Zahl der Batterien	2		
	Nennleistung	300 W, 0.3 kW		
Ladegerät	Nennausgangsleistung	71 W, 0.071 kW		
	Eingangsnennspannung	100–240 V -		
	Ausgangsnennspannung	42 V===		
	Nennstrom	1.7 A		
Ausstattung	Bremsleuchte	LED-Rückleuchte		
	Stoßdämpfer	vorne		
	Stimmungslicht	Konfigurierbare Farbe	/	Konfigurierbare Farbe
	Fahrmodi	Geschwindigkeitsbeschränkter Modus, Standardmodus und Sportmodus		
Reifen	Reifen	Material: keine Luftbereifung, synthetisches Gummi. Größe: 9 Zoll		

[1] Normale Reichweite: Tests wurden bei Fahrten mit voller Leistung, 165lbs (75 kg) Traglast, 77°F (25°C), 60 % der Höchstgeschwindigkeit auf durchschnittlichem Straßenbelag durchgeführt.

\* Einige der Faktoren, die die Reichweite beeinflussen sind: Geschwindigkeit, Anzahl der Starts und Stopps, Temperatur, usw.

## 13 Zertifizierungen

Für das Modell: E22, E25A, E45

Dieses Produkt ist nach ANSI/CAN/UL-2272 von CSA zertifiziert.  
Der Batterie entspricht den UN/DOT 38.3-Vorschriften.

### Übereinstimmungserklärung für die USA von der amerikanischen Regulierungsbehörde Federal Communications Commission (FCC)

Dieses Gerät entspricht Teil 15 der FCC-Regularien. Der Betrieb unterliegt den beiden folgenden Bedingungen: (1) Dieses Gerät darf keine Funkstörungen im Radio- oder Fernsehempfang verursachen, und (2) dieses Gerät muss sämtliche empfangenen Interferenzen tolerieren, einschließlich Interferenzen, die seinen Betrieb stören können.

#### HINWEIS

Dieses Gerät wurde getestet und erfüllt die Grenzwerte für ein digitales Gerät der Klasse B gemäß Teil 15 der FCC-Regularien. Diese Grenzwerte dienen dazu, einen angemessenen Schutz gegenüber Funkstörungen in einer Hausinstallation zu bieten. Dieses Gerät erzeugt, nutzt und kann Funkfrequenzenergien abstrahlen und kann bei fehlerhafter Installation und Nutzung im Widerspruch zu den Anweisungen Funkstörungen im Funkverkehr erzeugen. Es wird jedoch keine Gewährleistung dafür abgegeben, dass in bestimmten Installationen keine Funkstörungen auftreten. Wenn vorliegende Einrichtung Funkstörungen im Radio- oder Fernsehempfang verursacht, was sich durch das Aus- und Ausschalten der Anlage überprüfen lässt, wird der Benutzer aufgefordert, diese Funkstörungen durch eine oder mehrere der folgenden Maßnahmen zu beheben:

- Neuausrichtung oder Verlegung der Empfangsantenne.
- Bessere Trennung von Gerät und Empfänger.
- Anschluss der Einrichtung an eine Steckdose in einem Stromkreis, an dem der Empfänger nicht angeschlossen ist.
- Beratung durch Händler oder einen erfahrenen Radio-/Fernsehmechaniker.

Diese Einrichtung entspricht den FCC-Grenzwerten für Strahlenbelastungen, die für eine nicht kontrollierte Umgebung festgelegt wurden.

### Kanadische Industriennorm (Industry Canada, IC) Übereinstimmungserklärung für Kanada

Dieses Gerät entspricht der/den lizenzfreien RSS-Norm(en) der kanadischen Industriennorm. Der Betrieb unterliegt den beiden folgenden Bedingungen: (1) Dieses Gerät darf keine Funkstörungen im Radio- oder Fernsehempfang verursachen und (2) dieses Gerät muss sämtliche empfangenen Interferenzen tolerieren, einschließlich Interferenzen, die seinen Betrieb stören können.

CAN ICES-3 (B)/NMB-3(B)

Weder Segway Inc. noch Ninebot haften für irgendwelche Änderungen oder Modifikationen, die nicht ausdrücklich von Segway Inc. oder Ninebot genehmigt worden sind. Durch solche Änderungen kann die Berechtigung des Benutzers auf den Betrieb der Einrichtung unwirksam werden.

E22	FCC ID: 2ALS8-NT9529 IC: 22636-NT9529
-----	--

E25A	FCC ID: 2ALS8-KS0003 IC: 22636-KS0003
------	--

E45	FCC ID: 2ALS8-KS0001 IC: 22636-KS0001
-----	--

Für das Modell: E22D, E22E, E25D, E25E, E45D, E45E

Dieses Produkt ist nach ANSI/CAN/UL-2272 von CSA zertifiziert.  
Der Batterie entspricht den UN/DOT 38.3-Vorschriften.

### Übereinstimmungserklärung der Europäischen Union Wichtige WEEE-Informationen



WEEE-Entsorgungs- und Recycling-Informationen Korrekte Entsorgung dieses Produkts. Diese Kennzeichnung besagt, dass dieses Produkt innerhalb der gesamten EU nicht zusammen mit anderen Haushaltsabfällen entsorgt werden darf.

Um mögliche Schäden für die Umwelt oder die menschliche Gesundheit durch unkontrollierte Abfallentsorgung zu vermeiden, sollten Sie dieses Produkt recyceln und die nachhaltige Wiederverwendung von Materialressourcen unterstützen. Um Ihr Altprodukt zurückzugeben, verwenden Sie bitte die Rückgabe- und Sammelsysteme, oder wenden Sie an den Händler, bei dem Sie das Produkt gekauft wurde. Sie können dieses Produkt für ein umweltfreundliches Recycling verwenden.

#### Batterierecyclinginformationen für die Europäische Union



Batterien oder Batteriepackungen sind gemäß der Europäischen Richtlinie 2006/66/EG über Batterien und Akkumulatoren sowie Altbatterien und Alttakkumulatoren gekennzeichnet. Diese Richtlinie legt die Rahmenbedingungen für die Rückgabe und das Recycling benutzter Batterien und Akkumulatoren gemäß der Anwendung in der Europäischen Union fest. Dieser Aufkleber wird für unterschiedliche Batterien verwendet, um anzuzeigen, dass die Batterie nicht weggeworfen werden darf, sondern gemäß dieser Richtlinie an ihrem Lebensende zwecks Wiederverwertung eingesammelt werden muss.

In Übereinstimmung mit der Europäischen Richtlinie 2006/66/EG sind Batterien und Akkumulatoren gekennzeichnet, um anzugeben, dass diese gesondert eingesammelt und an ihrem Lebensende recycelt werden müssen. Auf dem Aufkleber auf der Batterie kann sich auch ein chemisches Symbol für das in der Batterie verwendete Metall befinden (Pb für Blei, Hg für Quecksilber und Cd für Cadmium). Benutzern von Batterien und Akkumulatoren ist es untersagt, Batterien und Akkumulatoren als unsortierten Haushaltsabfall zu entsorgen. Diese sind vielmehr in das den Kunden für die Rückgabe, das Recycling und die Verarbeitung von Batterien und Akkumulatoren zur Verfügung stehende Entsorgungsnetzwerk zu überführen. Das Engagement des Kunden ist dabei von Bedeutung, um alle potentiellen Auswirkungen von Batterien und Akkumulatoren auf die Umwelt und die menschliche Gesundheit aufgrund darin enthaltener potentiell gefährlicher Substanzen zu minimieren. Bevor elektrische und elektronische Geräte (EEE) in den Abfallsammelstrom oder in Abfallsammelanlagen gebracht werden, muss der Endverbraucher von Geräten, die Batterien und / oder Akkumulatoren enthalten, diese Batterien und Akkumulatoren zur getrennten Sammlung entfernen.

### Richtlinie zur Einschränkung der Verwendung bestimmter gefährlicher Stoffe (RoHS)

Dieses Produkt von Ninebot (Changzhou) Tech Co. Ltd. mit den beiliegenden Teilen (Kabel, Leitungen usw.) erfüllt die Anforderungen der Richtlinie 2011/65/EG zur Beschränkung der Verwendung bestimmter gefährlicher Inhalte in Elektro- und Elektronikgeräten ("RoHS-Reform" oder "RoHS 2").

### Richtlinie für Funkgeräte



### Segway Europe B.V.

EU-Kontaktadresse für regulatorische Fragen ausschließlich: Hogehilweg 8, 1101 CC Amsterdam, Niederlande.

Hiermit erklärt Ninebot (Changzhou) Tech Co., Ltd. dass die in diesem Abschnitt aufgeführte drahtlose Einrichtung die wesentlichen Bedingungen und sonstigen relevanten Vorschriften der Richtlinie 2014/53/EU erfüllt.

Bluetooth	Frequenzband (-bänder)	2.4000-2.4835GHz
	Max. Hochfrequenzleistung	100mW

## 14 Marke und rechtlicher Hinweis

Ninebot ist eine eingetragene Marke von Ninebot (Tianjin) Tech. Co., Ltd; Segway und das Rider Design sind eingetragene Warenzeichen von Segway Inc.; Android und Google Play sind Marken von Google Inc.; App Store ist eine Dienstleistungsmarke von Apple Inc.; die jeweiligen Eigentümer behalten sich die Rechte an ihren in diesem Handbuch genannten Marken vor.

Der KickScooter unterliegt dem Schutz entsprechender Patente. Patentinformationen finden Sie unter <http://www.segway.com>.

Wir haben versucht, Beschreibungen und Anweisungen für alle Funktionen des KickScooter zum Zeitpunkt des Drucks aufzunehmen. Aufgrund der ständigen Verbesserung der Produkteigenschaften und Designänderungen kann Ihr KickScooter jedoch leicht von dem in diesem Dokument beschriebenen abweichen. Besuchen Sie den Apple App Store (iOS) oder den Google Play Store (Android), um die App herunterzuladen und zu installieren.

Bitte beachten Sie, dass es zahlreiche Segway und Ninebot Modelle mit unterschiedlichen Funktionen gibt und dass einige der hier genannten Funktionen für Ihr Modell nicht zutreffend sind. Der Hersteller behält sich das Recht vor, Design und Funktionalität des KickScooter-Produktes sowie die Dokumentation ohne vorherige Mitteilung zu ändern.

© 2020 Segway Inc. Alle Rechte vorbehalten.

## 15 Kontakt

Bitte wenden Sie sich an uns, wenn Probleme im Zusammenhang mit der Benutzung, Wartung und Sicherheit oder wenn Fehler/Probleme mit Ihrem KickScooter auftreten sollten.

### Europa, Mittlerer Osten und Afrika: Segway Europe B.V.

Hogehilweg 8, 1101 CC Amsterdam, Niederlande  
Website: [www.segway.com](http://www.segway.com)

Bitte halten Sie die Seriennummer Ihres KickScooter bereit, wenn Sie Segway kontaktieren.

Sie finden die Seriennummer auf der Unterseite Ihres KickScooter oder in der App unter Weitere Einstellungen -> Basisangaben.

# Ninebot KickScooter

## Manuale utente



Der Hersteller behält sich jederzeit das Recht von Produktänderungen, der Herausgabe von Firmware-Updates und der Aktualisierung dieses Handbuchs vor. Besuchen Sie [www.segway.com](http://www.segway.com) oder schauen Sie auf der App nach, um sich die neuesten Benutzermaterialien herunterzuladen. Sie müssen die App installieren und Ihren KickScooter aktivieren, um die neuesten Updates und Sicherheitshinweise zu erhalten.

[www.segway.com](http://www.segway.com)



Traduzione delle istruzioni originali

## Indice

1 Sicurezza di guida -----	02
2 Lista imballaggio -----	04
3 Schema -----	05
4 Assemblare il KickScooter -----	06
5 Installare un Secondo Pacco Batteria (opzionale) -----	07
6 Prima Corsa -----	08
7 Ricarica -----	09
8 Imparare a guidare -----	09
9 Avvertenze -----	11
10 Piegatura e Trasporto -----	15
11 Manutenzione -----	15
12 Specifiche -----	17
13 Certificazioni -----	20
14 Marchio commerciale e dichiarazione legale -----	23
15 Contatti -----	23

## Grazie per aver scelto il Ninebot KickScooter!

Grazie per aver scelto il Ninebot KickScooter (di seguito KickScooter)!

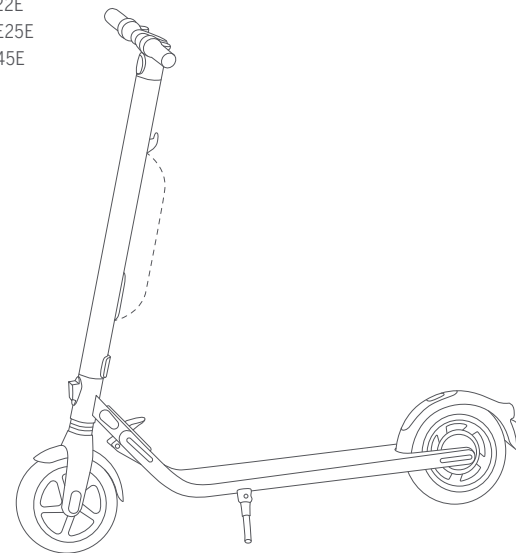
Il KickScooter è un dispositivo di trasporto alla moda con app mobile, che permette di connettersi con altri piloti. Goditi la tua corsa e connettiti con i piloti in tutto il mondo!

Questo manuale è applicabile ai seguenti modelli:

Serie E22: E22 / E22D / E22E

Serie E25: E25A / E25D / E25E

Serie E45: E45 / E45D / E45E



### ⚠ AVVERTENZA!

Utilizzare sempre il freno elettrico e il freno a pedale per l'arresto di emergenza. Altrimenti si rischiano cadute e/o collisioni generate dal mancato raggiungimento della massima capacità di frenata.

\*La figura è da considerarsi solo come riferimento. Si prega di far riferimento al prodotto attuale per maggiori dettagli.

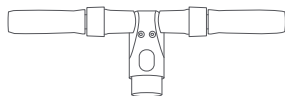
# 1 Sicurezza di Guida

1. Il KickScooter è un trasportatore ricreativo. Prima di padroneggiare le abilità di guida, è necessario fare pratica. Né Ninebot Inc. o Segway Inc. saranno responsabili di eventuali lesioni o danni causati dall'inesperienza di un pilota o dal mancato rispetto delle istruzioni di questo documento.
2. Si prega di comprendere che è possibile ridurre il rischio seguendo tutte le istruzioni e gli avvisi contenuti nel presente manuale, ma non è possibile eliminare tutti i rischi. Ricordare che ogni volta che si guida il KickScooter si rischiano lesioni da perdite di controllo, collisioni e cadute. Quando si entra negli spazi pubblici, rispettare sempre le leggi e le normative locali. Come con altri veicoli, velocità maggiori richiedono una distanza di frenata maggiore. Una frenata improvvisa su basse superfici di trazione potrebbe portare a scivolare o cadere. Prestare attenzione e mantenere sempre una distanza sicura tra sé stessi e le altre persone o veicoli quando si guida. Essere attenti e rallentare quando si entra in aree sconosciute.
3. Indossare sempre un casco durante la corsa. Utilizzare un casco di bicicletta o skateboard approvato che si adatti correttamente con la cinghia del mento in posizione e fornisca protezione per la nuca.
4. Non tentare la prima corsa in nessuna zona in cui si trovino dei bambini, pedoni, animali domestici, veicoli, biciclette o altri ostacoli e pericoli potenziali.
5. Rispettare i pedoni, dando loro sempre la precedenza. Sorpassare a sinistra quando possibile. Quando ci si avvicina a un pedone dalla parte anteriore, rimanere a destra e rallentare. Evitare i pedoni insicuri nella loro marcia. Quando ci si avvicina da dietro, farsi notare e rallentare portandosi alla velocità di marcia normale quando si sorpassa. Osservare le leggi e i regolamenti sul traffico locale se la situazione è diversa.
6. Nei luoghi non presidiati dalla legge, rispettare le linee guida di sicurezza descritte in questo manuale. Né Ninebot Inc. o Segway Inc. saranno responsabili di eventuali danni alla proprietà, lesioni personali/decessi, incidenti o contenziosi legali causati da violazioni delle istruzioni di sicurezza.
7. Non permettere a chiunque di guidare il proprio KickScooter se non ha letto attentamente questo manuale e ha seguito il tutorial di New Rider nell'app. La sicurezza dei nuovi piloti ricade sotto la tua responsabilità. Aiutare i nuovi piloti fino a quando non sono a loro agio con il funzionamento di base del KickScooter. Assicurarsi che ogni nuovo pilota indossi un casco e altri dispositivi di protezione.
8. Prima di ogni giro, verificare che non ci siano componenti allentati e danneggiati. Se KickScooter emette suoni anomali o segnala un allarme, interrompere immediatamente la corsa. Diagnosticare il proprio KickScooter tramite il Segway-Ninebot App e contattare il proprio rivenditore/distributore per l'assistenza.
9. Stare attenti! Analizzare l'ambiente ben lontano e di fronte al KickScooter - gli occhi sono lo strumento migliore per evitare in modo sicuro gli ostacoli e le superfici a bassa trazione (ivi compreso, ma non limitato a, terreno bagnato, sabbia sciolta, ghiaia sciolta e ghiaccio).
10. Per ridurre il rischio di lesioni, è necessario leggere e seguire tutte le informazioni di "ATTENZIONE" e "AVVERTENZA" in questo documento. Non correre ad una velocità non sicura. In nessuna circostanza bisogna guidare su strade dove circolano autoveicoli. Il produttore consiglia l'utilizzo a guidatori maggiori di anni 14. Seguire sempre queste istruzioni di sicurezza:

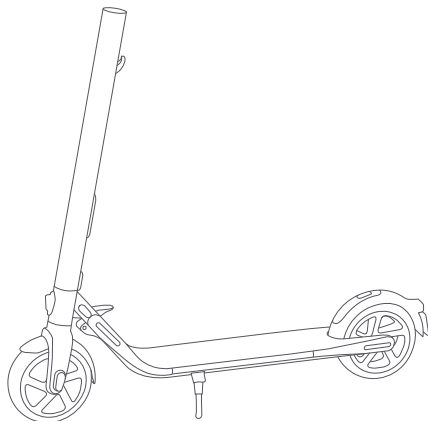
- A. Le persone che non devono guidare il KickScooter includono:
    - i. Chiunque sia sotto l'influenza di alcool o droghe.
    - ii. Chi soffre di malattie che lo mettono a rischio se esercita in una faticosa attività fisica.
    - iii. Chiunque abbia problemi di equilibrio o di competenze motorie che interferiscano con la sua capacità di mantenere l'equilibrio.
    - iv. Chiunque abbia un peso al di fuori dei limiti indicati (vedere Specifiche).
    - v. Donne in gravidanza.
  - B. I piloti con meno di 18 anni dovrebbero guidare sotto la supervisione degli adulti.
  - C. Rispettare le leggi e le normative locali quando si guida questo prodotto. Non guidare dove vietato dalle leggi locali.
  - D. Per guidare in modo sicuro, è necessario essere in grado di vedere chiaramente ciò che è davanti a sé e deve essere chiaramente visibile agli altri.
  - E. Non correre mai sulla neve, sotto la pioggia o su strade bagnate, fangose, ghiacciate o che siano scivolose. Non correre su ostacoli (sabbia, ghiaia sciolta o bastoni). Così facendo, potrebbe verificarsi una perdita di equilibrio o trazione e si potrebbe causare una caduta.
11. Non tentare di caricare KickScooter se il caricabatteria o la presa di corrente sono bagnati.
  12. Come per qualsiasi dispositivo elettronico, utilizzare una protezione di sovratensione quando si carica, in modo da proteggere il proprio KickScooter dai danni causati da sovratensioni di corrente e picchi di tensione. Utilizzare esclusivamente il caricabatteria fornito da Segway. Non utilizzare una caricabatteria da qualsiasi altro modello di prodotto.
  13. Utilizzare solo parti e accessori approvati da Ninebot o Segway. Non modificare il proprio KickScooter. Le modifiche al proprio KickScooter potrebbero interferire con il funzionamento del KickScooter, potrebbero provocare gravi lesioni e/o danni e potrebbero invalidare la Garanzia Limitata.
  14. I bambini non devono giocare con il monopattino o con sue parti, né si devono consentire loro interventi di pulizia o di manutenzione. L'utilizzo del veicolo comporta una trasmissione di vibrazioni in tutto il corpo del guidatore.
  15. Il monopattino non ha sufficiente stabilità, e può causare infortuni e possibili rischi per la sicurezza, in caso di parcheggio su strade in pendio, specialmente strade in salita o in discesa. Non posizionare mai il monopattino con la parte anteriore rivolta verso il pendio a valle, in quanto il cavalletto potrebbe chiudersi e provocare il ribaltamento del veicolo. Una volta che il monopattino è posizionato sul cavalletto, verificarne la stabilità per evitare qualsiasi rischio di caduta (dovuta a scivolamento, vento o leggero scossone). Non parcheggiare il monopattino in una zona con traffico, ma piuttosto lungo un muro. Se possibile, scegliere sempre di parcheggiare il monopattino su un terreno pianeggiante.
  16. Per una migliore esperienza di guida, si consiglia di sottoporre il prodotto a regolare manutenzione.
  17. Leggere il manuale utente prima di caricare la batteria.
  18. Non toccare il sistema frenante, per evitare possibili problemi di sicurezza e infortuni.
  19. Il livello di pressione sonora dell'emissione ponderato A è inferiore a 70 dB (A). Le vibrazioni meccaniche trasmesse dallo KickScooter sono inferiori a 2,5 m/s<sup>2</sup>.

## 2 Lista imballaggio

Manetta



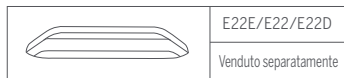
Sistema centrale



Materiali Utente



Secondo Pacco Batteria



Accessori

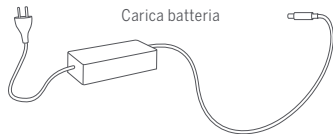
M5 Vite a testa piatta x 7  
(una extra)



3mm Chiave esagonale



Carica batteria



Campana

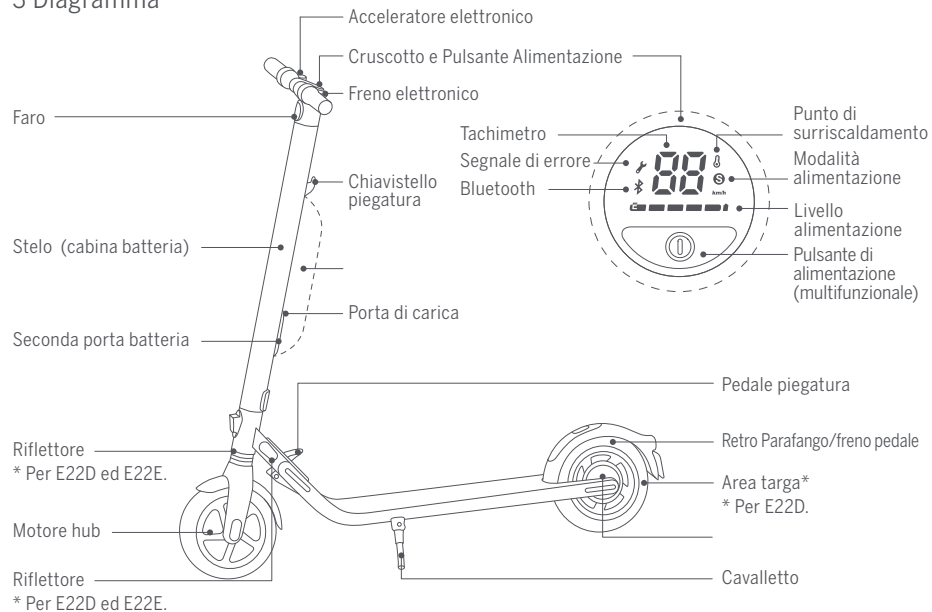


Quando si disimballa il KickScooter, verificare che gli elementi di cui sopra siano inclusi nel pacchetto. Se manca qualsiasi componente, contattare il rivenditore/distributore o il centro di assistenza più vicino (vedere contatti nel manuale dell'utente). Dopo aver verificato che tutti i componenti siano presenti e in buone condizioni, è possibile assemblare il nuovo KickScooter.

Si prega di conservare la scatola e i materiali di confezionamento nel caso in cui sia necessario spedire il proprio KickScooter in futuro.

Ricordarsi di spegnere il KickScooter e di scollegare il cavo di ricarica prima di assemblare, montare accessori o pulire il sistema centrale.

## 3 Diagramma



Cruscotto e Pulsante Avvio

Tachimetro: Indica la velocità attuale. Visualizza anche i codici di errore quando vengono rilevati guasti.

Livello alimentazione: Indica il livello della batteria rimanente con 5 barre. Ogni barra equivale a circa il 20% del livello di potenza.

Modalità di alimentazione):

- Icona rossa "S" : Modalità sportiva (massima potenza/velocità).
- Icona bianca "S": Modalità standard (moderata potenza/velocità).
- Nessuna icona "S": Modalità limite di velocità (potenza/velocità minima).

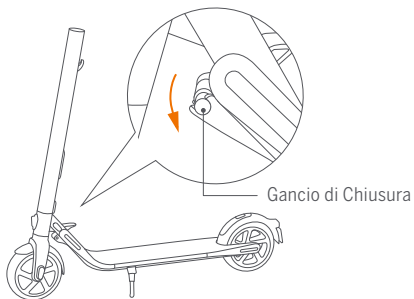
Bluetooth: L'icona Bluetooth lampeggiante indica che il veicolo è pronto per la connessione. Un' icona fissa Bluetooth indica che il veicolo è collegato a un dispositivo mobile.

Pulsante di alimentazione: Premere brevemente per accendere. Premere a lungo per spegnere. Quando acceso, fare un clic per accendere/spegnere il faro. Fare doppio clic per cambiare la modalità di alimentazione.

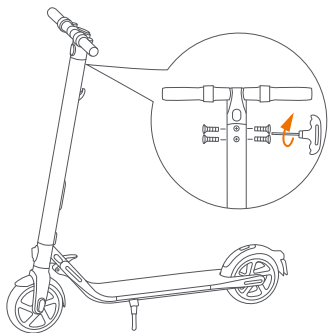
## 4 Assemblaggio del KickScooter

1. Aprire lo stelo e spingerlo fino a quando non si sente un clic. Sollevare il pedale piegatura. Poi svolgere il kickstand/braccio per sostenere lo scooter.

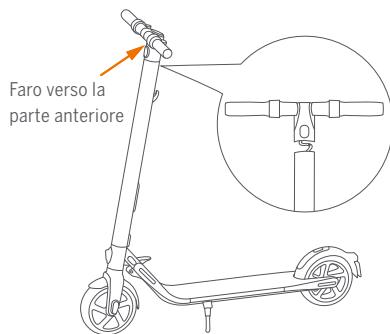
**Nota:** verificare che il gancio di chiusura sul meccanismo di piegatura sia correttamente fissato.



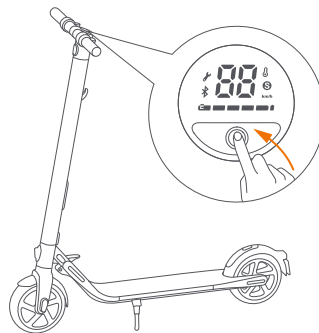
3. Installare sei viti (due su ciascun lato) con la chiave esagonale inclusa.



2. Collegare saldamente i fili all'interno della manetta e dello stelo. Far scorrere l'impugnatura sullo stelo. Essere consapevoli dell'orientamento corretto.

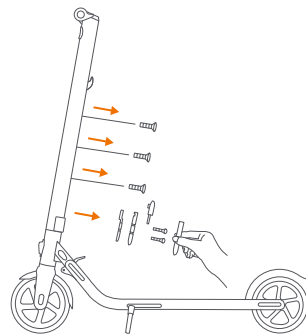


4. Verificare che il KickScooter si accenda e spenga.

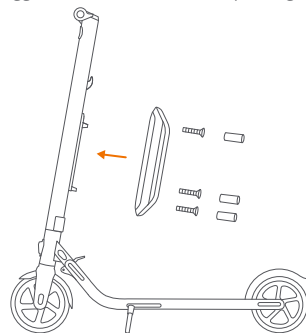


## 5 Installazione di un secondo pacco batteria (opzionale) ⚠ ATTENZIONE: Usare solamente le viti in dotazione con il prodotto!

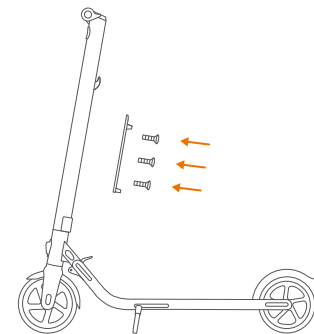
1. Rimuovere le tre viti sullo stelo, come mostrato. Rimuovere quindi il coperchio vicino alla porta di carica e rimuovere la vite M3.



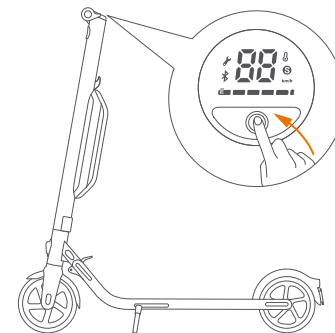
3. Installare la batteria esterna sul supporto e montarla con le 2 viti M4 (20mm) e la vite M3 (1 pz.) in dotazione con il prodotto. Dopo averle installate propriamente, chiudere l'alloggiamento delle viti con l'assopisto gommino.



2. Installare il supporto con le 3 viti M4 (10mm) in dotazione con il prodotto. Controllare attentamente che sia correttamente montato.



4. Verificare che il KickScooter si accenda e spenga.





## 6 Prima corsa

⚠ Ci sono rischi per la sicurezza quando si impara a guidare il KickScooter. Bisogna leggere le istruzioni di sicurezza tramite l' App prima di realizzare la prima corsa.

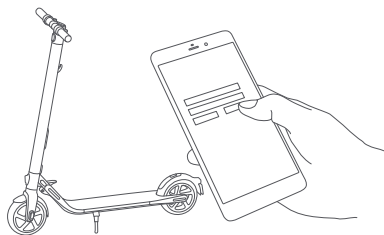


Per la propria sicurezza, il nuovo KickScooter non è attivo ed emetterà occasionalmente un "bip" dopo l'accensione.

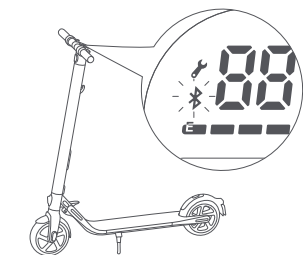
Fino all'attivazione, KickScooter mantiene una velocità di guida molto bassa e non può essere guidato con piena funzionalità. Installare l'applicazione sul proprio dispositivo mobile (con Bluetooth 4.0 O superiore), connettersi al KickScooter con Bluetooth e seguire le istruzioni dell'applicazione per attivare il KickScooter ed usufruire di una prestazione completa.

Segway-Ninebot App Scansionare il codice QR per scaricare l'App (iOS 9.0 o superiore, Android™ 4.3 o superiore).

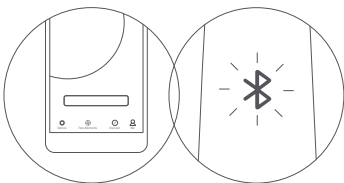
1 Installare l'applicazione e registrarsi/accedere.



2 Accendere il KickScooter. Un'icona Bluetooth lampeggiante indica che KickScooter è in attesa di una connessione.

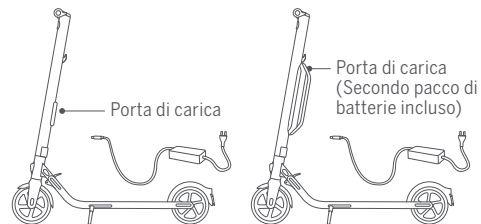


3 Fare clic su "Cerca veicolo" per connettersi al KickScooter. Il KickScooter emette un segnale acustico quando la connessione è riuscita. L'icona Bluetooth smetterà di lampeggiare e resterà illuminata.



4 Seguire le istruzioni App per attivare KickScooter e imparare a guidare in modo sicuro. Ora è possibile iniziare ad utilizzare il KickScooter, controllare lo stato con l' App e interagire con altri utenti. Divertiti!

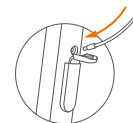
## 7 Ricarica



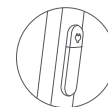
Consigli per una corretta ricarica



Aprire il coperchio della porta di carica.



Inserire la spina di carica.



Chiudere il coperchio della porta di carica quando si finisce.

⚠ **AVVERTENZA**

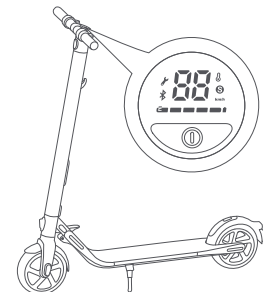
Non collegare il caricabatterie se la porta di carica o il cavo di carica sono bagnati. Non ricaricare o usare la batteria se si presenta danneggiata o se si notano tracce di acqua.

Il KickScooter è completamente carico quando il LED sul caricabatterie cambia da rosso (carica) a verde (carica di compensazione). Chiudere il coperchio della porta di carica quando non si effettua la ricarica.

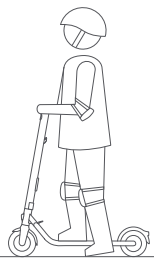
## 8 Imparare a guidare



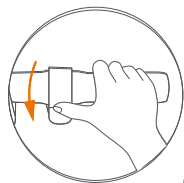
Indossare un casco approvato e altri dispositivi di protezione per minimizzare eventuali lesioni.



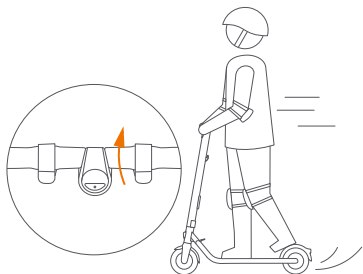
1. Accendere lo scooter e controllare il livello di potenza della spia. Caricare lo scooter se il livello della batteria è basso.



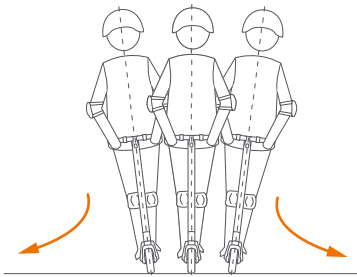
2. Appoggiarsi sul poggiaiedi con un piede e spingere con il piede per iniziare a scorrere.



3. Mettere l'altro piede sul poggiaiedi per mantenere entrambi i piedi stabili. Premere l'acceleratore a destra per accelerare quando si è bilanciati.  
**Nota: per la propria sicurezza, il motore non si collega fino a quando lo scooter non raggiunge i 4 km/h.**



4. Rallentare rilasciando l'acceleratore. Premere il freno elettronico e premere contemporaneamente il parafrangente con il piede per un blocco immediato dei freni.



5. Per svoltare, spostare il peso del corpo e girare leggermente la manetta.

**⚠ AVVERTENZA**

Quando si frena rapidamente si rischia di ferirsi seriamente a causa della perdita di trazione e delle cadute. Mantenere una velocità moderata e fare attenzione ai rischi potenziali.

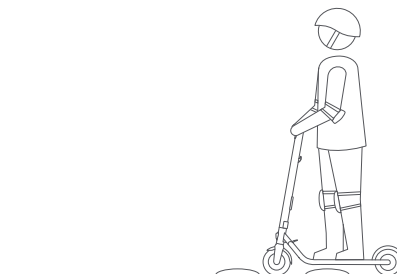
## 9 Avvertenze

**⚠ AVVERTENZA**

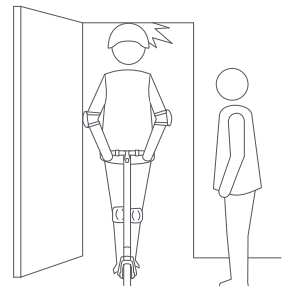
La mancata osservanza di queste istruzioni può causare gravi lesioni.



- ⚠ NON guidare lo scooter sotto la pioggia.**



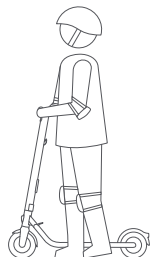
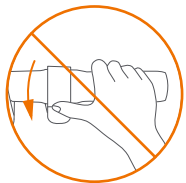
- ⚠** Mantenere la velocità tra i 5 e i 10 km/h durante la guida su rallentatori di velocità, ingressi di ascensori, strade accidentate o altre superfici irregolari. Piegarvi leggermente le ginocchia per adattarsi meglio a tali superfici.




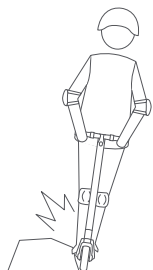
- ⚠** Fare attenzione alla testa quando si passa attraverso le porte.




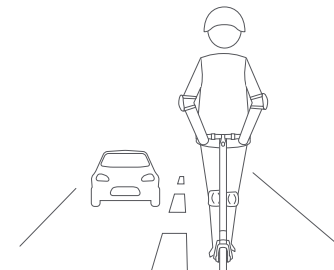
- ⚠** Controllare la velocità se si va in discesa. Utilizzare entrambi i freni insieme quando si viaggia ad alta velocità.




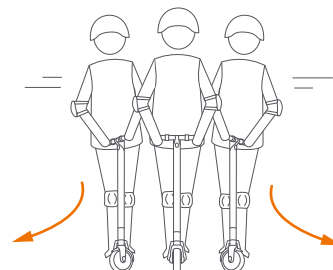
 **NON** premere l'acceleratore quando si cammina con lo scooter.




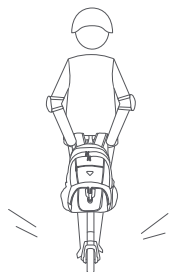
 Evitare di impattare gli ostacoli con il pneumatico/ruota.




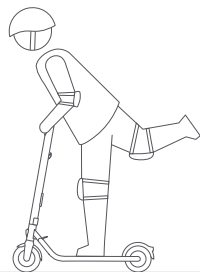
 **NON** correre su strade pubbliche, autostrade o superstrade.



 **NON** ruotare violentemente la manetta durante la guida ad alta velocità.




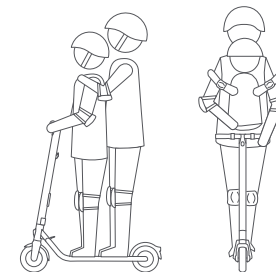
 **NON** trasportare oggetti pesanti sul manubrio.




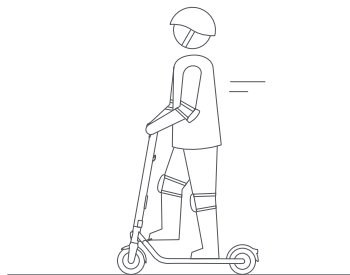
 **NON** guidare lo scooter con un solo piede.



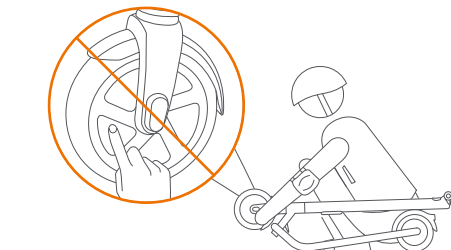
 **Non** guidare attraverso pozzanghere o altri ostacoli (con acqua). In tali casi, ridurre la velocità e aggirare l'ostacolo.



 Il KickScooter è solo per un pilota. **Non** guidarlo in due, né trasportare alcun passeggero. **Non** trasportare un bambino.



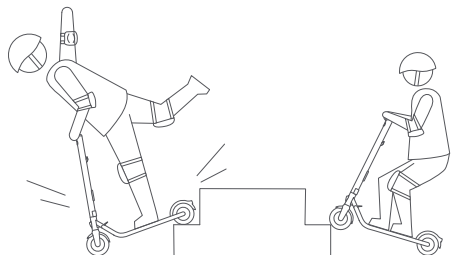
⚠️ NON salire sul pedale ribaltabile durante la guida.



⚠️ NON toccare il motore del mozzo dopo aver guidato perché può diventare caldo.



⚠️ NON togliere le mani dal manubrio durante la guida. Non guidare con una sola mano.

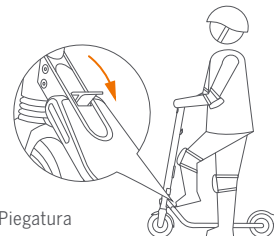


⚠️ NON salire su e giù per le scale o saltare sugli ostacoli.

#### ⚠️ AVVERTENZA

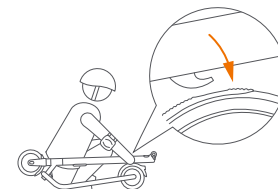
Tenere entrambe le mani sul manubrio per non rischiare gravi lesioni a causa della perdita di equilibrio e cadute.

## 10 Piegatura e Trasporto

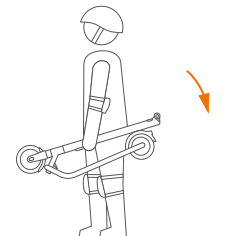


Piegatura

Salire sul pedale ribaltabile spingendo leggermente in avanti il manubrio.



Quindi piegare il manubrio in giù fino a quando si blocca nel parafrangente posteriore.



Quando il KickScooter viene ripiegato, sollevare semplicemente lo stelo per trasportarlo.

## 11 Manutenzione

### Pulizia e Conservazione

Utilizzare un panno morbido e bagnato per pulire il sistema centrale. Lo sporco difficile da rimuovere può essere lavato con uno spazzolino da denti e un dentifricio, poi pulito con un panno morbido e bagnato.

### NOTA

Non lavare il KickScooter con alcool, benzina, acetone o altri solventi corrosivi/volatili. Queste sostanze possono danneggiare l'aspetto e la struttura interna del KickScooter. Non lavare il KickScooter con una canna o idropulitrice.

### ⚠️ AVVERTENZA

Assicurarsi che KickScooter sia spento, che il cavo di ricarica sia scollegato e che il tappo in gomma sulla porta di carica sia ben sigillato prima della pulizia; altrimenti si rischia di danneggiare i componenti elettronici.

Conservare il KickScooter in un luogo fresco e asciutto. Non conservarlo all'aperto per lunghi periodi di tempo. L'esposizione alla luce solare e a temperatura estrema (sia calda che fredda) accelera il processo di invecchiamento dei componenti in plastica e può ridurre la

durata della batteria.

#### Manutenzione della batteria per l'utente

Non rimuovere la batteria. La rimozione della batteria rappresenta un intervento complicato e può alterare il funzionamento del veicolo: se il prodotto è ancora coperto da garanzia, è possibile rivolgersi a un riparatore autorizzato. Se il prodotto non è più coperto da garanzia, è possibile rivolgersi a qualsiasi riparatore specializzato di propria scelta. È possibile richiedere l'elenco dei riparatori autorizzati presso il servizio clienti, disponibile all'indirizzo [www.segway.com](http://www.segway.com). Per ulteriori domande, contattare il servizio clienti, disponibile all'indirizzo [www.segway.com](http://www.segway.com).

Non conservare o caricare la batteria a temperature superiori ai limiti indicati (vedere Specifiche). Non forare la batteria. Fare riferimento alle leggi e alle normative locali in materia di riciclaggio e /o smaltimento delle batterie.

Una batteria ben mantenuta può funzionare bene anche dopo molti chilometri di guida. Caricare la batteria dopo ogni corsa e evitare di scaricare completamente la batteria. Se utilizzata a temperatura ambiente (70°F [22°C]) la gamma e le prestazioni della batteria sono al massimo; mentre se si utilizza a temperature inferiori 32°F (0°C) potrebbero ridursi la gamma e le prestazioni. In genere, a -4°F (-20°C) la gamma può essere pari a quella della stessa batteria 70°F (22°C). La gamma delle batterie si ripristinerà quando la temperatura aumenta. Ulteriori dettagli sono disponibili nell'app.

#### Sostituire gli pneumatici

I pneumatici di ricambio forniti con il prodotto devono essere montati sulla ruota da un riparatore qualificato. La rimozione delle ruote rappresenta un intervento complicato e il montaggio errato può determinare instabilità e malfunzionamenti:

- Se il prodotto è ancora coperto dalla garanzia del produttore, rivolgersi a un riparatore autorizzato. È possibile richiedere l'elenco dei riparatori autorizzati presso il servizio clienti, disponibile all'indirizzo [www.segway.com](http://www.segway.com).
- Se il prodotto non è più coperto da garanzia, è possibile rivolgersi a qualsiasi riparatore specializzato di propria scelta.
- In caso di domande, contattare il servizio clienti, disponibile all'indirizzo [www.segway.com](http://www.segway.com).

#### NOTA

In genere, una batteria completamente carica dovrebbe mantenere la carica per 120-180 giorni in modalità Standby. Una batteria a bassa potenza dovrebbe mantenere la carica per 30-60 giorni in modalità Standby. Ricordarsi di ricaricare la batteria dopo ogni uso. La scarica completa della batteria può causare danni permanenti alla batteria. L'elettronica all'interno della batteria registra la condizione di carica-scarica della batteria; i danni causati da sovraccarico o sotto-scarica non saranno coperti dalla Garanzia Limitata.

#### ⚠ AVVERTENZA

Non ricaricare o usare la batteria se si presenta danneggiata o se si notano tracce di acqua. Non tentare di smontare la batteria. Rischio di incendio. Nessun componente riparabile.

#### ⚠ AVVERTENZA

Non utilizzare quando la temperatura non rientra nella temperatura di funzionamento della macchina (vedi Specifiche) perché una temperatura bassa/alta limita l'energia massima. Questo può causare infortuni personali o danni alle cose a causa di scivolate o cadute.

#### Altro

Il cavo flessibile esterno di questo trasformatore non può essere sostituito; se il cavo è danneggiato, il trasformatore deve essere smaltito e sostituito con uno nuovo. In caso di domande, contattare il servizio clienti, disponibile all'indirizzo [www.segway.com](http://www.segway.com).

In caso di incidente o guasto: Se il prodotto è ancora coperto da garanzia, rivolgersi a un riparatore autorizzato. In caso contrario, è possibile rivolgersi a qualsiasi riparatore specializzato di propria scelta. È possibile richiedere l'elenco dei riparatori autorizzati presso il servizio clienti, disponibile all'indirizzo [www.segway.com](http://www.segway.com). Per qualsiasi domanda, contattare il servizio clienti, disponibile all'indirizzo [www.segway.com](http://www.segway.com).

Sono stati compiuti notevoli sforzi per semplificare le istruzioni per gli utenti. Se un'operazione dovesse risultare troppo complicata per l'utente, si consiglia di contattare un riparatore autorizzato o specializzato oppure il servizio clienti.

## 12 Specifiche

	Articolo	E22D/E22E	E22
Dimensioni	Lunghezza x Larghezza x Altezza	43.7 × 16.5 × 44.1 in (111 × 42 × 112 cm)	42.9 × 16.5 × 44.1 in (109 × 42 × 112 cm)
	piegato: Lunghezza x Larghezza x Altezza	44.9 × 16.5 × 14.2 in (114 × 42 × 36 cm)	44.5 × 16.5 × 14.2 in (113 × 42 × 36 cm)
Peso	Peso netto	Approx. 29.8 lbs (13.5kg)	
Pilota	Carico utile	55–220 lbs (25–100 kg)	
	Età consigliata	14+ years	
	Altezza Richiesta	3'11"–6'6" (120–200 cm)	
Parametri Macchina	Velocità Max.	12.4 mph (20 km/h)	
	Gamma Tipica <sup>[1]</sup>	13.7 miles (22 km)	
	Inclinazione Massima	15%	
	Terreno attraversabile	asfalto/pavimentazione pialta; ostacoli < 0.4 in (1 cm); intervalli < 1.2 in (3 cm)	
	Temperatura di funzionamento	14–104°F (-10–40°C)	
	Temperatura di immagazzinamento	-4–122°F (-20–50°C)	
	Classe IP	IPX4	
	Durata della Ricarica	3.5 h	
Batteria	Tensione nominale	36 V <sup>---</sup>	
	Tensione massima di ricarica	42 V <sup>---</sup>	
	Temperatura di ricarica	32–104°F (0–40°C)	
	Capacità nominale	184 Wh	
	Sistema di Gestione Batterie	Protezione da sovrariscaldamento, cortocircuito, scarico, sovracorrente e sovraccarica	
	Numero di Batterie <sup>[2]</sup>	1	
Motore	Potenza nominale	300 W, 0.3 kW	
	Uscita Potenza nominale	71 W, 0.071 kW	
Caricatore	Tensione nominale in entrata	100–240 V -	
	Tensione nominale in uscita	42 V <sup>---</sup>	
	Corrente nominale	1.7 A	
	Luce Freno	Luce a LED retro	
Caratteristiche	Metodi di corsa	Modalità Limite Velocità, modalità Standard e modalità Sport	
	Pneumatici	Materiale: Copertoni non pneumatici, in gomma sintetica. Dimensioni: 9 pollici	

[1] Gamma tipica: testata durante la guida a piena potenza, 165lbs (75 kg) carica, 77°F (25°C), 60% di max. velocità in media sul marciapiede.

\* Alcuni fattori che potrebbero influire sull' autonomia sono: velocità, frequenza di arresti e ripartenze, temperatura climatica, etc.

[2] Tutti i modelli KickScooter potrebbero avere installata la seconda batteria. In questo caso alcuni parametri cambiano.

	Articolo	E25D	E25E	E25A
Dimensioni	Lunghezza x Larghezza x Altezza	43.7 × 16.5 × 44.1 in (111 × 42 × 112 cm)		
	piegato: Lunghezza x Larghezza x Altezza	44.9 × 16.5 × 14.2 in (114 × 42 × 36 cm)		
Peso	Peso netto	31.5 lbs (14.3 kg)		
Pilota	Carico utile	55–220 lbs (25–100 kg)		
	Età consigliata	14+ years		
	Altezza Richiesta	3'11"–6'6" (120–200 cm)		
Parametri Macchina	Velocità Max.	12.4 mph (20 km/h)	15.5 mph (25 km/h)	17.4 mph (28 km/h)
	Gamma Tipica <sup>[1]</sup>	15.5 miles (25 km)		
	Inclinazione Massima	15%		
	Terreno attraversabile	asfalto/pavimentazione piana: ostacoli < 0.4 in (1 cm); intervalli < 1.2 in (3 cm)		
	Temperatura di funzionamento	14–104°F (-10–40°C)		
	Temperatura di immagazzinamento	-4–122°F (-20–50°C)		
	Classe IP	IPX4		
	Durata della Ricarica	4 h		
	Batteria	Tensione nominale	36 V===	
Tensione massima di ricarica		42 V===		
Temperatura di ricarica		32–104°F (0–40°C)		
Capacità nominale		215 Wh		
Energia nominale		5960 mAh		
Sistema di Gestione Batterie		Protezione da sovrariscaldamento, cortocircuito, scarico, sovracorrente e sovraccarica		
Numero di Batterie <sup>[2]</sup>		1		
Motore	Potenza nominale	300 W, 0.3 kW		
Caricatore	Uscita Potenza nominale	71 W, 0.071 kW		
	Tensione nominale in entrata	100–240 V -		
	Tensione nominale in uscita	42 V===		
	Corrente nominale	1.7 A		
Caratteristiche	Luce Freno	Luce a LED retro		
	Ammortizzatore	fronte		
	Metodi di corsa	Modalità Limite Velocità, modalità Standard e modalità Sport		
	Luce di atmosfera	/	Colore personalizzabile	Colore personalizzabile
Pneumatici	Pneumatici	Materiale: Copertoni non pneumatici, in gomma sintetica. Dimensioni: 9 pollici		

[1] Gamma tipica: testata durante la guida a piena potenza, 165lbs (75 kg) carica, 77°F (25°C), 60% di max. velocità in media sul marciapiede.

\* Alcuni fattori che potrebbero influire sull' autonomia sono: velocità, frequenza di arresti e ripartenze, temperatura climatica, etc.

[2] Tutti i modelli KickScooter potrebbero avere installata la seconda batteria. In questo caso alcuni parametri cambiano.

	Articolo	E45	E45D	E45E
Dimensioni	Lunghezza x Larghezza x Altezza	43.7 × 16.5 × 44.1 in (111 × 42 × 112 cm)		
	piegato: Lunghezza x Larghezza x Altezza	44.9 × 16.5 × 14.2 in (114 × 42 × 36 cm)		
Peso	Peso netto	33.1 lbs (15.0 kg)		
Pilota	Carico utile	55–220 lbs (25–100 kg)		
	Età consigliata	14+ years		
	Altezza Richiesta	3'11"–6'6" (120–200 cm)		
Parametri Macchina	Velocità Max.	18.6 mph (30 km/h)	12.4 mph (20 km/h)	15.5 mph (25 km/h)
	Gamma Tipica <sup>[1]</sup>	28.0 miles (45 km)		
	Inclinazione Massima	15%		
	Terreno attraversabile	asfalto/pavimentazione piana: ostacoli < 0.4 in (1 cm); intervalli < 1.2 in (3 cm)		
	Temperatura di funzionamento	14–104°F (-10–40°C)		
	Temperatura di immagazzinamento	-4–122°F (-20–50°C)		
	Classe IP	IPX4		
	Durata della Ricarica	7.5 h		
	Batteria	Tensione nominale	36 V===	
Tensione massima di ricarica		42 V===		
Temperatura di ricarica		32–104°F (0–40°C)		
Capacità nominale		368 Wh		
Energia nominale		10.2 Ah		
Sistema di Gestione Batterie		Protezione da sovrariscaldamento, cortocircuito, scarico, sovracorrente e sovraccarica		
Numero di Batterie		2		
Motore	Potenza nominale	300 W, 0.3 kW		
Caricatore	Uscita Potenza nominale	71 W, 0.071 kW		
	Tensione nominale in entrata	100–240 V -		
	Tensione nominale in uscita	42 V===		
	Corrente nominale	1.7 A		
Caratteristiche	Luce Freno	Luce a LED retro		
	Ammortizzatore	fronte		
	Metodi di corsa	Modalità Limite Velocità, modalità Standard e modalità Sport		
	Luce di atmosfera	/	Colore personalizzabile	Colore personalizzabile
Pneumatici	Pneumatici	Materiale: Copertoni non pneumatici, in gomma sintetica. Dimensioni: 9 pollici		

[1] Gamma tipica: testata durante la guida a piena potenza, 165lbs (75 kg) carica, 77°F (25°C), 60% di max. velocità in media sul marciapiede.

\* Alcuni fattori che potrebbero influire sull' autonomia sono: velocità, frequenza di arresti e ripartenze, temperatura climatica, etc.

## 13 Certificazioni

Per il modello: E22, E25A, E45

Questo prodotto è certificato da CSA per ANSI/CAN/UL-2272.

La batteria è conforme a UN/DOT 38.3.

### Dichiarazione di conformità della Federal Communications Commission (FCC) per gli Stati Uniti

Questo dispositivo è conforme alla parte 15 delle norme FCC. Il funzionamento è soggetto alle seguenti due condizioni: (1) Questo dispositivo non può causare interferenze dannose e (2) Questo dispositivo deve accettare tutte le interferenze ricevute, incluse le interferenze che possono causare operazioni indesiderate.

#### NOTA

Questa apparecchiatura è stata testata e trovata conforme ai limiti per un dispositivo digitale di classe B, ai sensi della parte 15 delle Norme FCC. Questi limiti sono progettati per fornire una protezione ragionevole contro le interferenze dannose in un'installazione residenziale. Questa apparecchiatura genera, usa e può irradiare energia a radiofrequenza e, se non viene installata e utilizzata in conformità alle istruzioni, può causare interferenze dannose alle comunicazioni radio. Tuttavia, non vi è alcuna garanzia che non si verifichino interferenze in un'installazione particolare. Se questa apparecchiatura provoca interferenze dannose alla ricezione radio o televisiva, che può essere determinata spegnendo e riaccendendo l'apparecchio, l'utente è incoraggiato a provare a correggere l'interferenza con una o più delle seguenti misure:

- Riorientare o trasferire l'antenna ricevente.
- Aumentare la separazione tra l'apparecchio e il ricevitore.
- Collegare l'apparecchiatura ad una presa su un circuito diverso da quello a cui è collegato il ricevitore.
- Consultare il rivenditore o un esperto tecnico radio/TV per assistenza.

Questa apparecchiatura è conforme ai limiti di esposizione delle radiazioni FCC previsti per un ambiente non controllato.

### Dichiarazione di conformità Industry Canada (IC) per il Canada

Questo dispositivo è conforme agli standard RSS di esenzione per licenza Industry Canada. Il funzionamento è soggetto alle seguenti due condizioni: (1) Questo dispositivo non può causare interferenze e (2) Questo dispositivo deve accettare tutte le interferenze, incluse le interferenze che possono causare un funzionamento indesiderato del dispositivo.

CAN ICES-3 (B)/NMB-3(B)

Né Segway Inc. o Ninebot è responsabile di eventuali cambiamenti o modifiche non espressamente approvate da Segway Inc. o Ninebot. Tali modifiche potrebbero invalidare l'autorizzazione dell'utente ad utilizzare l'apparecchiatura.

E22	FCC ID: 2ALS8-NT9529 IC: 22636-NT9529
-----	--

E25A	FCC ID: 2ALS8-KS0003 IC: 22636-KS0003
------	--

E45	FCC ID: 2ALS8-KS0001 IC: 22636-KS0001
-----	--

Per il modello: E22D, E22E, E25D, E25E, E45D, E45E

Questo prodotto è certificato da CSA per ANSI/CAN/UL-2272.

La batteria è conforme a UN/DOT 38.3.

### Dichiarazione di conformità dell'Unione europea

#### Importanti informazioni in materia di rifiuti di apparecchiature elettriche ed elettroniche (RAEE)



Informazioni di smaltimento e riciclo dei rifiuti elettronici per il corretto smaltimento di questo prodotto. Questo marchio indica che il prodotto non deve essere smaltito insieme agli altri rifiuti domestici nell'Unione Europea.

Per evitare possibili danni all'ambiente o alla salute umana derivanti dallo smaltimento incontrollato dei rifiuti, riciclare il prodotto responsabilmente per promuovere il riutilizzo sostenibile delle risorse materiali. Per restituire un dispositivo usato, utilizzare i sistemi di restituzione e raccolta oppure rivolgersi al rivenditore presso il quale è stato acquistato il prodotto. Il rivenditore può raccogliere il prodotto per riciclarlo in modo sicuro per l'ambiente.

#### Informazioni sul riciclaggio della batteria per l'Unione europea



Le batterie o le confezioni per le batterie sono etichettate in conformità alla Direttiva europea 2006/66/CE relativa alle batterie e agli accumulatori e alle batterie e agli accumulatori come rifiuti. La Direttiva definisce il quadro per la resa e il riciclaggio di batterie e accumulatori usati, applicabile in tutta l'Unione europea. Questa etichetta è applicata a diverse batterie per indicare che la batteria non deve essere gettata, ma recuperata dopo la fine della vita in base a questa direttiva.

Conformemente alla Direttiva europea 2006/66/CE, le batterie e gli accumulatori sono etichettati per indicare che devono essere raccolti separatamente e riciclati alla fine della vita. L'etichetta sulla batteria può anche includere un simbolo chimico per il metallo interessato nella batteria (Pb per piombo, Hg per mercurio e Cd per cadmio). Gli utenti di batterie e accumulatori non devono smaltire le batterie e gli accumulatori come rifiuti urbani non differenziati, ma utilizzare il quadro di raccolta disponibile per i clienti per i resi, il riciclaggio e il trattamento delle batterie e degli accumulatori. La partecipazione del cliente è importante per ridurre al minimo gli effetti potenziali delle batterie e degli accumulatori sull'ambiente e sulla salute umana a causa della potenziale presenza di sostanze pericolose.

Prima di collocare apparecchiature elettriche ed elettroniche (EEE) nel flusso di raccolta dei rifiuti o negli impianti di raccolta dei rifiuti, l'utente finale di apparecchiature contenenti batterie e / o accumulatori deve rimuovere tali batterie e accumulatori per la raccolta separata.

### Direttiva sulla restrizione di sostanze pericolose (RoHS)

Questo prodotto Ninebot (Changzhou) Tech Co., Ltd., insieme alle parti incluse (cavi, fili e così via) è conforme ai requisiti della Direttiva 2011/65/EU sulla restrizione dell'uso di alcune sostanze pericolose nelle apparecchiature elettriche ed elettroniche ("RoHS rivisto" oppure "RoHS 2").

### Direttiva sulle apparecchiature radio



### Segway Europe B.V.

ndirizzo di contatto dell'UE solo per temi normativi: Hogehilweg 8, 1101CC Amsterdam, Paesi Bassi.

Con la presente, Ninebot (Changzhou) Tech Co., Ltd. Dichiaro che le apparecchiature senza fili elencate in questa sezione sono conformi alla direttiva requisiti essenziali e altre pertinenti disposizioni della direttiva 2014/53/EU.

Bluetooth	Banda/e di frequenza	2.4000-2.4835GHz
	Max. Potenza RF	100mW

## 14 Marchio commerciale e dichiarazione legale

Ninebot è un marchio registrato di Ninebot (Tianjin) Tech. Co., Ltd; Segway e Rider Design sono marchi registrati di Segway Inc.; Android e Google Play sono marchi registrati di Google Inc.; App Store è un marchio di servizio di Apple Inc.; i rispettivi proprietari si riservano i diritti dei loro marchi citati in questo manuale.

KickScooter è coperto dai relativi brevetti. Per informazioni sui brevetti andare su <http://www.segway.com>.

Al momento della stampa, abbiamo tentato di includere descrizioni e istruzioni per tutte le funzionalità di KickScooter. Tuttavia, a causa del costante miglioramento delle caratteristiche del prodotto e dei cambiamenti di progettazione, il tuo KickScooter potrebbe differire leggermente da quello descritto in questo documento. Visitez l' App Store d' Apple (iOS) ou le Google Play Store (Android) pour télécharger et installer l'appli.

Si prega di notare che esistono diversi modelli Segway e Ninebot con diverse funzioni e alcune delle funzioni menzionate in questo documento potrebbero non essere applicabili all'unità. Il produttore si riserva il diritto di modificare la progettazione e la funzionalità del prodotto e della documentazione KickScooter senza preavviso.

© 2020 Segway Inc. Tutti i diritti riservati.

## 15 Contatti

Contattateci se si riscontrano problemi relativi alla guida, alla manutenzione e alla sicurezza o errori/guasti con il proprio KickScooter.

### Europa, Medio Oriente e Africa:

#### Segway Europe B.V.

Hogehilweg 8, 1101CC Amsterdam, Paesi Bassi

Sito internet: [www.segway.com](http://www.segway.com)

Tenere a portata di mano il proprio numero di serie KickScooter quando si contatta Segway.

È possibile trovare il proprio numero di serie sul lato inferiore del KickScooter o nella App sotto Altre impostazioni -> Informazioni di base.



# Ninebot KickScooter

## Manual del usuario



Il produttore si riserva il diritto di apportare modifiche al prodotto, aggiornare gli aggiornamenti del firmware e aggiornare questo manuale in qualsiasi momento. Visitare [www.segway.com](http://www.segway.com) o controllare l'applicazione per scaricare l'ultimo manuale utente e materiali. È necessario installare l'App, attivare il proprio KickScooter e ottenere gli ultimi aggiornamenti e le istruzioni di sicurezza.

[www.segway.com](http://www.segway.com)



Traducción de las instrucciones originales

## Índice

1 Circular con seguridad	02
2 Contenido del paquete	04
3 Diagrama	05
4 Ensamblar el KickScooter	06
5 Instalar una segunda batería (opcional)	07
6 Primer uso	08
7 Cargar la batería	09
8 Aprender a manejar tu KickScooter	09
9 Advertencias	11
10 Plegado y transporte	15
11 Mantenimiento	15
12 Especificaciones	17
13 Homologaciones	20
14 Marca comercial y declaración legal	23
15 Contactos	23

## ¡Gracias por elegir el Ninebot KickScooter!

¡Gracias por elegir el Ninebot KickScooter (en adelante, el KickScooter)!

Tu KickScooter es un avanzado dispositivo de transporte con una aplicación móvil que te permite conectarte con otros usuarios.

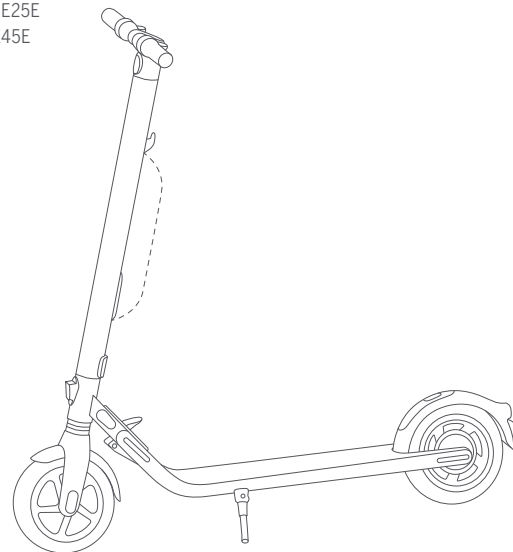
¡Disfruta de tus desplazamientos y conecta con otros usuarios en todo el mundo!

Este manual es aplicable a los siguientes modelos:

Series E22: E22 / E22D / E22E

Series E25: E25A / E25D / E25E

Series E45: E45 / E45D / E45E



### ▲ ¡ADVERTENCIA!

Utiliza siempre tanto el freno eléctrico como el freno de pie para una frenada de emergencia. En caso contrario, corres riesgo de caídas y/o impactos por no obtener la máxima capacidad de frenado.

\* La imagen es solo de referencia. Remítase al producto en sí para ver más detalles.

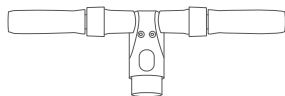
## 1 Circular con seguridad

1. El KickScooter es un dispositivo de transporte recreativo. Necesitarás practicar antes de dominar la técnica por completo. Ninebot Inc. y Segway Inc. rechazan toda responsabilidad por posibles lesiones o daños causados por la inexperiencia de un usuario o por no seguir las instrucciones contenidas en este documento.
2. Entiende que puedes reducir el riesgo respetando todas las instrucciones y advertencias en este manual, pero no puedes eliminar todos los riesgos por completo. Recuerda que siempre que utilices el KickScooter te arriesgas a sufrir pérdidas de control, golpes y caídas. Cuando circules por espacios públicos, respeta siempre las normas y leyes locales. Como cualquier vehículo, una velocidad mayor requiere también una mayor distancia de frenado. Frenar bruscamente sobre superficies con baja tracción podría provocar patinazos de las ruedas o caídas. Ten cuidado y mantén siempre una distancia segura entre las otras personas y vehículos y tú mientras circulas. Mantente alerta y aminora la velocidad cuando circules en zonas desconocidas.
3. Utiliza siempre un casco cuando montes en este vehículo. Utiliza un casco homologado para bicicleta o monopatín que se ajuste bien a la cabeza con la banda para la barbilla y ofrezca protección para la parte posterior de la cabeza.
4. No utilices el producto por primera vez en un lugar donde puedas encontrarte con niños, peatones, mascotas, vehículos, bicicletas u otros obstáculos y posibles riesgos.
5. Respeta a los peatones y cédeles siempre el paso. Adelanta por la izquierda siempre que sea posible. Cuando te acerques a un peatón desde delante, mantente a la derecha y reduce la velocidad. Evita sorprender a los peatones. Cuando te acerques desde detrás, avisa de tu presencia y aminora tu velocidad mientras adelantas. En caso de diferencias, obedece las leyes y normativas de tráfico locales.
6. En lugares no sujetos a reglas de tráfico, respeta las indicaciones de seguridad descritas en este manual. Ninebot Inc. y Segway Inc. no se hacen responsables de posibles daños materiales, lesiones personales/muerte, accidentes ni litigios legales causados por incumplir las instrucciones de seguridad.
7. No permitas que nadie utilice tu KickScooter por su cuenta antes de haber leído detenidamente este manual y seguido el tutorial para nuevos usuarios en la app. La seguridad de los nuevos usuarios es tu responsabilidad. Ayuda a los nuevos usuarios hasta que estén familiarizados con el manejo básico del KickScooter. Asegúrate de que cada nuevo usuario utilice un casco y otros equipos de protección.
8. Antes de cada uso, revisa el vehículo en busca de sujeciones sueltas y componentes dañados. Si el KickScooter produce ruidos anormales o emite una alarma, deja de usarlo inmediatamente. Realiza el diagnóstico de tu KickScooter mediante la app Segway-Ninebot y llama a tu agente/distribuidor para repararlo.
9. ¡Mantente alerta! Presta atención tanto justo delante de tu KickScooter como más lejos, tus ojos son la mejor herramienta para evitar de forma segura obstáculos y superficies de baja tracción (incluidas, entre otras, suelo húmedo, arena suelta, grava suelta y hielo).
10. Para reducir el riesgo de lesiones, debes leer y respetar todos los avisos de "PRECAUCIÓN" y "ADVERTENCIA" en este documento. No circules a velocidad excesiva. En ningún caso debes circular en carreteras con los vehículos a motor. La edad recomendada por el fabricante está 14+ años. Respeta siempre estas instrucciones de seguridad:

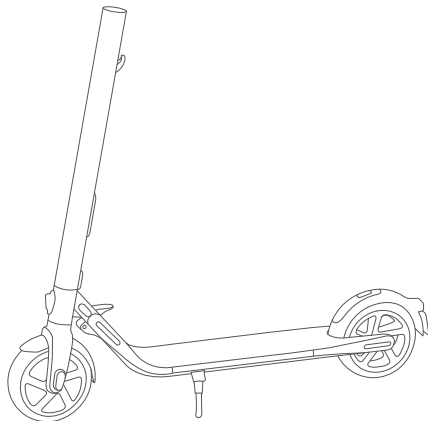
- A. Las personas que no deben usar el KickScooter incluyen:
    - i. Cualquier persona bajo la influencia del alcohol o las drogas.
    - ii. Cualquier persona que sufra una enfermedad que entrañe riesgo si realizan una actividad física extenuante.
    - iii. Cualquier persona que tenga problemas con el equilibrio o las habilidades motoras que interfieran en su capacidad para mantener el equilibrio.
    - iv. Cualquier persona cuyo peso esté fuera de los límites establecidos (ver las especificaciones).
    - v. Las mujeres embarazadas.
  - B. Los usuarios menores de 18 años solo deben usar el producto bajo supervisión adulta.
  - C. Respeta las normas y leyes locales cuando utilices este producto. No lo utilices donde lo prohíban las leyes locales.
  - D. Para usarlo con seguridad, debes poder ver claramente lo que tienes delante y debes ser fácilmente visible para los demás.
  - E. No circules en la nieve, en la lluvia ni en carreteras que estén mojadas, con barro, hielo o deslizantes por cualquier motivo. No circules sobre obstáculos (arena, grava suelta o palos). Si lo haces, podría ocasionar una pérdida de tracción o equilibrio y sufrir una caída.
11. No intentes recargar tu KickScooter si el producto, el cargador o el enchufe están mojados.
  12. Como con cualquier dispositivo electrónico, utiliza un protector contra sobretensión durante la carga para proteger tu KickScooter contra daños causados por sobretensiones y subidas de voltaje. Utiliza exclusivamente el cargador facilitado por Segway. No utilices un cargador de modelos de producto diferentes.
  13. Utiliza exclusivamente piezas y accesorios aprobados por Ninebot o Segway. No modifiques tu KickScooter. Las modificaciones de tu KickScooter podrían interferir con el funcionamiento del KickScooter, lo que podría ocasionar lesiones y/o daños graves y anular la garantía limitada.
  14. Los niños no deben jugar con el patinete ni con ninguna de sus piezas. Además, tampoco deberán realizar el mantenimiento ni limpieza del mismo. El uso de la máquina produce vibraciones por el cuerpo del conductor.
  15. El patinete no tiene estabilidad suficiente y podría provocar lesiones, sobre todo al aparcarlo en carreteras inclinadas y cuestas. No coloque nunca el patinete con la parte delantera mirando hacia abajo de la pendiente, ya que el soporte podría cerrarse y hacer que la máquina vuelque. Cuando el patinete esté sobre el soporte, compruebe su estabilidad para evitar cualquier riesgo de caída (por deslizamiento, viento o pequeños impactos). No aparque el patinete en zonas concurridas, es mejor hacerlo junto a una pared. Si fuera posible, intente aparcar siempre el patinete en terreno plano.
  16. Para disfrutar de una mejor experiencia de conducción, se recomienda realizar un mantenimiento periódico del producto.
  17. Lea el manual de usuario antes de cargar la batería.
  18. No toque el sistema de los frenos, podría provocar lesiones de seguridad.
  19. El nivel de presión acústica de emisión ponderada A es inferior a 70 dB (A). Las vibraciones mecánicas transmitidas por el KickScooter son menos de 2,5 m/s<sup>2</sup>.

## 2 Contenido del paquete

Manillar



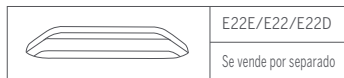
Bastidor



Materiales del usuario



Segunda batería



Accesorios

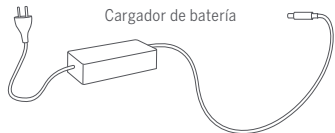
7 x tornillos de cabeza plana M5 (uno extra)



Llave hexagonal 3mm



Cargador de batería



Campana

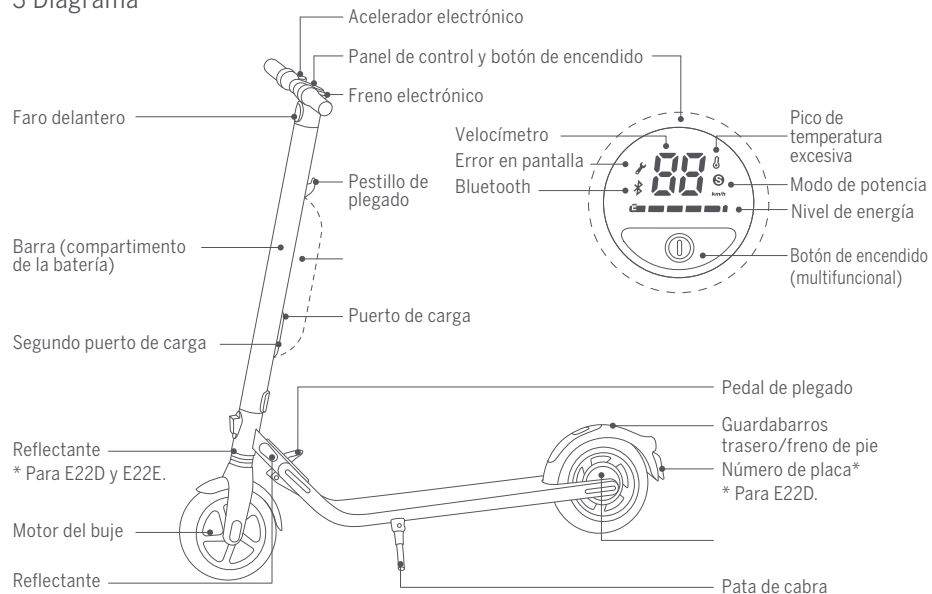


Al desembalar tu KickScooter, comprueba que el paquete incluya todos los elementos anteriores. Si falta algún componente, contacta con tu agente/distribuidor o con el centro de servicio más cercano (ver los datos de contacto en el manual de usuario). Después de comprobar que todos los componentes estén presentes y en buen estado, puedes ensamblar tu nuevo KickScooter.

Conserva la caja y los materiales de embalaje en caso de que necesites enviar tu KickScooter en el futuro.

Recuerda apagar tu KickScooter y desconectar el cable de carga antes de ensamblar, instalar accesorios o limpiar el bastidor.

## 3 Diagrama



### Panel de control y botón de encendido

Velocímetro: indica la velocidad actual. También muestra códigos de error si se detectan averías.

Nivel de energía: indica el nivel de batería restante mediante 5 barras. Cada barra equivale aproximadamente al 20 % de energía.

Modo de energía:

- Icono de "S" roja: Modo deportivo (máxima potencia/velocidad).
- Icono de "S" blanca: Modo estándar (potencia/velocidad moderada).
- Sin icono de "S": Modo de velocidad limitada (potencia/velocidad mínima).

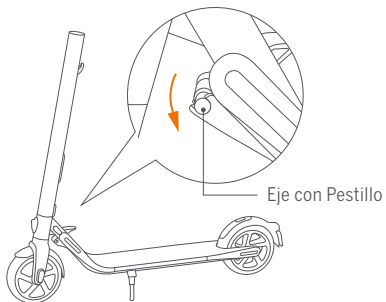
Bluetooth: un icono de Bluetooth intermitente indica que el vehículo está listo para conectarse. Un icono de Bluetooth fijo indica que el vehículo está conectado a un dispositivo móvil.

Botón de encendido: Pulsación breve para encender. Pulsación larga para apagar. Con el vehículo encendido, una pulsación para encender/apagar el faro delantero. Dos pulsaciones para cambiar el modo de energía.

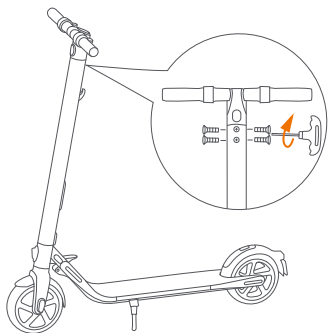
## 4 Ensamblar tu KickScooter

1. Despliega la barra y empuja hasta escuchar un clic. Levante el pedal de plegado. Después, despliega la pata de cabra para sujetar el patinete.

**Nota:** Confirme que el eje con pestillo en el mecanismo plegable esté asegurado de forma correcta.



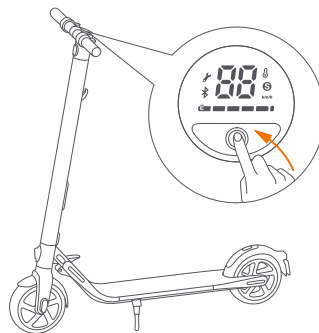
3. Aprieta los seis tornillos (dos a cada lado) con la llave hexagonal incluida.



2. Conecta con firmeza los cables en el interior del manillar y la barra. Acopla el manillar a la barra. Comprueba que esté bien orientado.



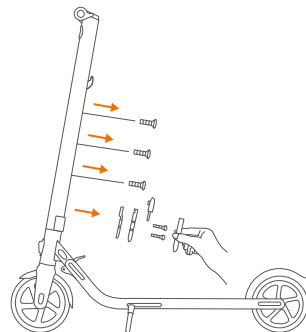
4. Comprueba que tu KickScooter se encienda y se apague.



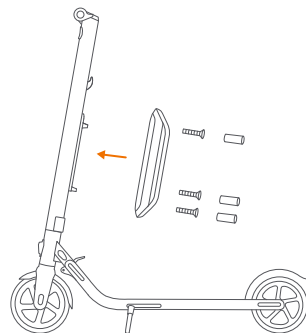
## 5 Instalar una segunda batería (opcional)

**⚠ ¡Advertencia!** utilice solo los tornillos que están incluidos en este producto.

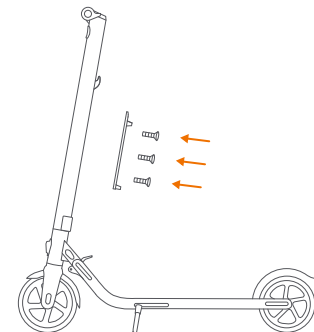
1. Retira los tres tornillos de la barra, como se indica. Después, retira la cubierta cerca del puerto de carga y remueva el tornillo M3.



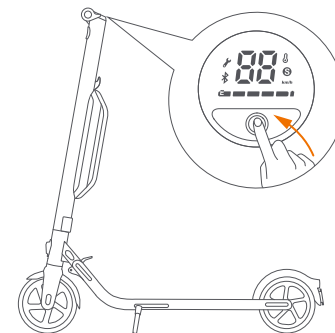
3. Instala la batería externa en la barra y fíjala con los tornillos M4 (20 mm) (2 piezas) y el tornillo M3 (1 piezas) incluidos en este producto. Después de que estén instalados correctamente, bloquea los orificios de los tornillos con el tapón de goma.



2. Instala la barra con los tornillos M4 (10 mm) (3 piezas) incluidos en este producto. Por favor, asegúrese de que está bien fijado.



4. Comprueba que tu KickScooter se encienda y se apague.



## 6 Primer uso

⚠ Existen riesgos de seguridad al aprender a manejar el KickScooter. Debes leer las instrucciones de seguridad mediante la app antes del primer uso.

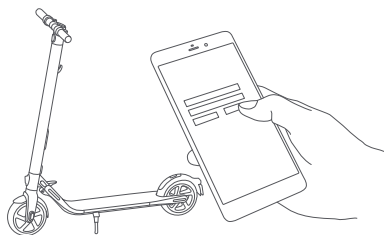


Por tu seguridad, tu nuevo KickScooter no está activado y emitirá pitidos regulares después de encenderlo.

Hasta activarlo, el KickScooter mantiene una velocidad muy baja y no puede utilizarse con todas sus funciones. Instala la app en tu dispositivo móvil (con Bluetooth 4.0 o superior), conéctalo al KickScooter por Bluetooth y sigue las instrucciones en la app para activar tu KickScooter y disfrutar de todas sus posibilidades.

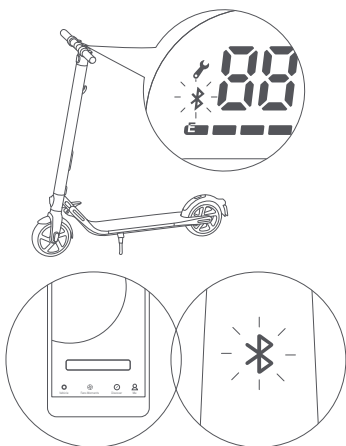
Segway-Ninebot App Escanea el código QR para descargar la app (iOS 9.0 o posterior, Android™ 4.3 o posterior).

1 Instala la app y regístrate/conéctate.



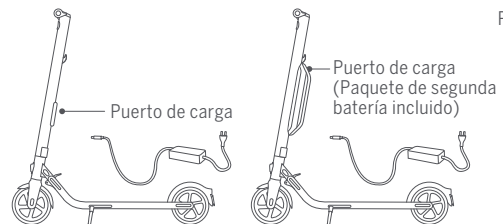
3 Haz clic en "Buscar vehículo" para conectar tu KickScooter. El KickScooter emitirá un pitido cuando la conexión se establezca con éxito. El icono de Bluetooth dejará de parpadear y permanecerá encendido.

2 Enciende el KickScooter. Un icono de Bluetooth intermitente indica que el KickScooter está en espera de conexión.



4 Sigue las instrucciones de la app para activar el KickScooter y aprender a manejarlo con seguridad. Ahora puedes empezar a usar tu KickScooter, comprobar el estado mediante la app e interactuar con otros usuarios. ¡Que te diviertas!

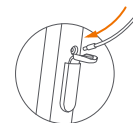
## 7 Cargar la batería



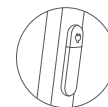
Proceso de carga consejos



Abre la tapa del puerto de carga.



Inserta la clavija de carga.



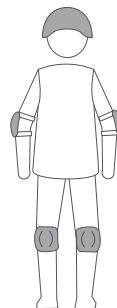
Cierra la tapa del puerto de carga cuando termines.

⚠ **ADVERTENCIA**

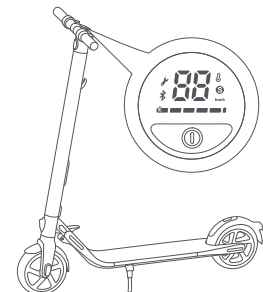
No conectes el cargador si el puerto o el cable de carga están mojados. No cargue ni use su batería si está dañada o muestra señales de estar húmeda.

Tu KickScooter estará totalmente cargado cuando el LED del cargador pase de rojo (cargando) a verde (carga de mantenimiento). Cierra la tapa del puerto de carga cuando no lo utilices.

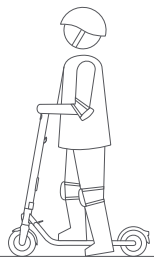
## 8 Aprender a manejar tu KickScooter



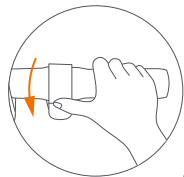
Utiliza un casco aprobado y otro equipamiento de protección para reducir la posibilidad de lesiones.



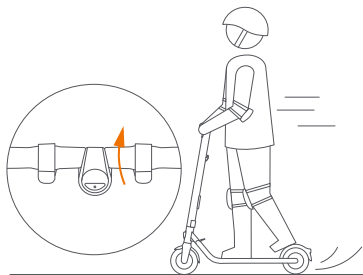
1. Enciende el patinete y comprueba el indicador del nivel de energía. Carga la batería si el nivel de energía es bajo.



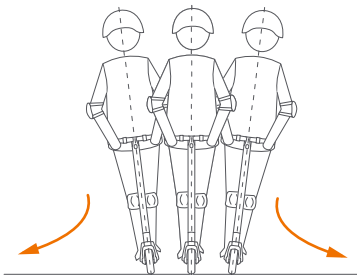
2. Coloca un pie sobre la plataforma y empuja con el otro pie para empezar a rodar.



3. Coloca ambos pies sobre la plataforma para mantenerte estable. Pulsa el acelerador con la mano derecha para acelerar cuando estés en equilibrio.  
**Ten en cuenta que, por tu seguridad, el motor no se activará hasta que el patinete alcance una velocidad de 4 km/h.**



4. Para reducir la velocidad. Apriete el freno electrónico y pise la defensa a la vez para frenar de forma repentina.



5. Para girar, inclina el cuerpo y gira ligeramente el manillar.

**⚠ ADVERTENCIA**

En caso de frenadas bruscas, corres el riesgo de sufrir lesiones graves a causa de pérdidas de tracción y caídas.  
**Mantén una velocidad moderada y presta atención a posibles riesgos.**

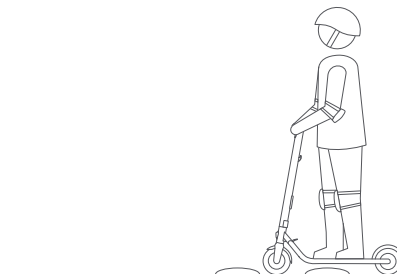
## 9 Advertencias

**⚠ ADVERTENCIA**

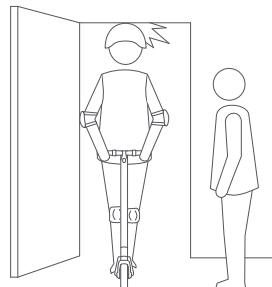
No respetar estas instrucciones puede ocasionar lesiones graves.



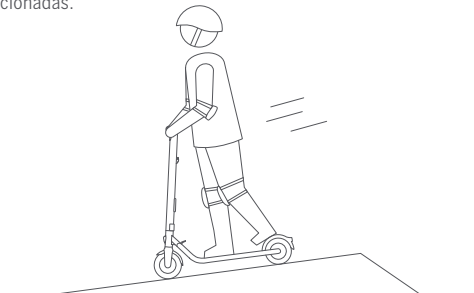
**⚠** NO utilices el patinete con lluvia.



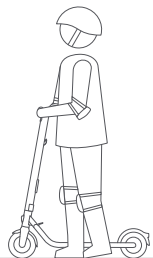
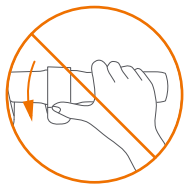
**⚠** Mantenga una velocidad de entre 5-10 km/h cuando vaya a pasar sobre obstáculos, umbrales de puertas de ascensor, caminos irregulares o cualquier otra superficie desigual. Flexione ligeramente la rodilla para ajustarse mejor a las superficies mencionadas.



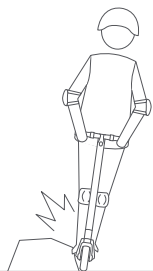
**⚠** Ten cuidado con la cabeza al pasar bajo el marco de una puerta.



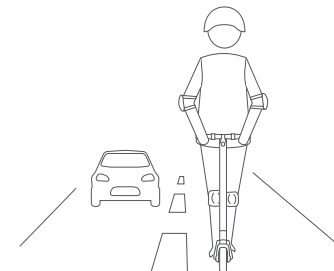
**⚠** Controla tu velocidad al descender pendientes pronunciadas. Utiliza ambos frenos simultáneamente cuando circules a alta velocidad.



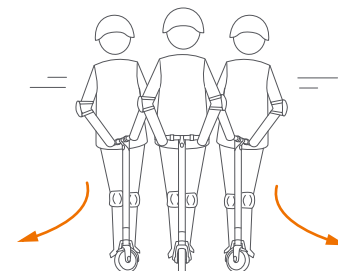
**!** NO pulses el acelerador cuando camines con el patinete.



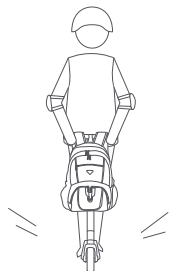
**!** Evita golpear obstáculos con el neumático o la rueda.



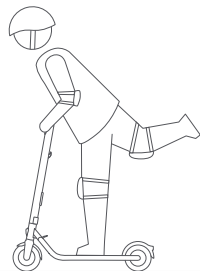
**!** NO circules por carreteras públicas, autovías ni autopistas.



**!** NO gires el manillar bruscamente cuando circules a alta velocidad.



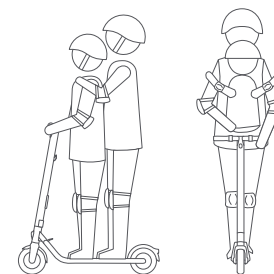
**!** NO transportes objetos pesados sobre el manillar.



**!** NO manejes el patinete con un solo pie.



**!** No conduzca por charcos ni ningún otro obstáculo líquido. En tal caso, reduzca la velocidad y rodee el obstáculo.

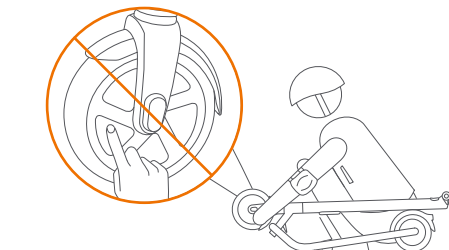


**!** El KickScooter es para un solo pasajero. No lo utilices con más de una persona ni lleves pasajeros. No transportes a niños.





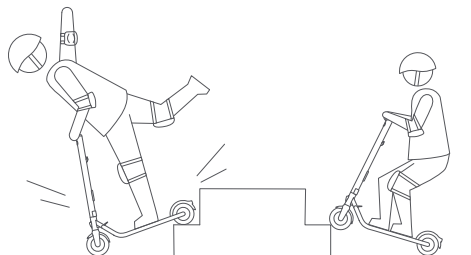
⚠ NO pises el pedal de plegado mientras circulas.



⚠ NO toques el motor del buje después de circular, pues podría estar caliente.



⚠ NO sueltes las manos del manillar mientras circulas. No conduzcas con una sola mano.

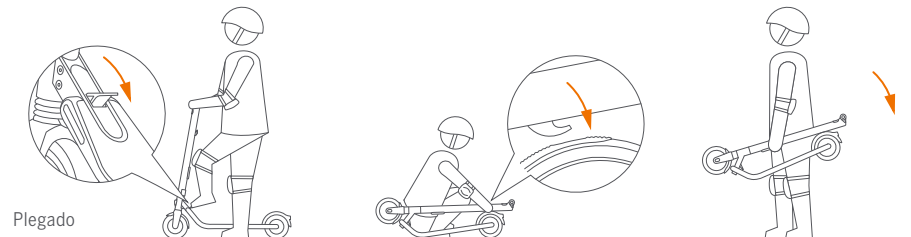


⚠ NO subas ni bajas escaleras ni circules sobre obstáculos.

#### ⚠ ADVERTENCIA

Mantén siempre las dos manos en el manillar o corres el riesgo de sufrir lesiones graves debido a pérdidas de equilibrio y caídas.

## 10 Plegado y transporte



Plegado

Pisa el pedal de plegado mientras empujas el manillar hacia delante ligeramente.

Piega el manillar hacia abajo hasta que se enganche en el guardabarros trasero.

Cuando tu KickScooter está plegado, puedes sujetarlo fácilmente por la barra para transportarlo.

## 11 Mantenimiento

### Limpeza y almacenamiento

Utiliza un paño suave húmedo para limpiar el bastidor. Puedes frotar la suciedad difícil con un cepillo de dientes y pasta de dientes antes de limpiarla con un paño suave húmedo.

### NOTA

No laves tu KickScooter con alcohol, gasolina, acetona ni otros disolventes corrosivos o volátiles. Estas sustancias podrían dañar el aspecto y la estructura interna de tu KickScooter. No laves tu KickScooter con una manguera o limpiador a presión.

### ⚠ ADVERTENCIA

Asegúrate de que el KickScooter está apagado, el cable de carga está desconectado y la tapa de goma del puerto de carga está bien cerrada antes de la limpieza; en caso contrario, podrías dañar los componentes electrónicos.

Guarda tu KickScooter en un lugar fresco y seco. No lo guardes en el exterior durante períodos de tiempo prolongados. La exposición a la luz solar y las temperaturas extremas (tanto altas como bajas) acelerará el proceso de envejecimiento de los componentes de plástico y

podría reducir la vida útil de la batería.

#### Mantenimiento de la batería por parte del usuario

No quite la batería. Extraer la batería es un proceso complicado y puede alterar el funcionamiento de la máquina: puede ponerse en contacto con un reparador autorizado en caso de que el producto siga cubierto por la garantía. Si el producto ya no está cubierto por garantía, puede ponerse en contacto con cualquier reparador especializado de su elección. Puede solicitar la lista de los reparadores autorizados al servicio de atención al cliente disponible en [www.segway.com](http://www.segway.com). Si tiene alguna pregunta, puede ponerse en contacto con el servicio de atención al cliente disponible en [www.segway.com](http://www.segway.com).

No guardes ni cargues la batería a temperaturas fuera de los límites establecidos (ver las especificaciones). No perfores la batería. Consulta las leyes y normativas locales acerca del reciclaje y/o desecho de la batería.

Una batería bien mantenida puede seguir funcionando bien después de recorrer muchos kilómetros. Carga la batería después de cada uso y evita agotar la batería por completo. Cuando se utiliza a temperatura ambiente (22 °C) el rendimiento y la autonomía de la batería están en su nivel óptimo, mientras que si se utiliza a temperaturas inferiores a 0 °C puede reducirse su rendimiento y autonomía. Normalmente, a -20 °C la autonomía puede ser la mitad que la misma batería a 22 °C. La autonomía de la batería se recuperará al aumentar la temperatura. Puedes encontrar más detalles en la app.

#### Reemplace las gomas

Un reparador profesional será el encargado de montar en la rueda los neumáticos de repuesto que se suministran con el producto. Quitar las ruedas es un proceso complicado. Un montaje incorrecto puede provocar inestabilidad y mal funcionamiento:

- Póngase en contacto con un reparador autorizado en caso de que el producto siga cubierto por la garantía del fabricante. Puede solicitar la lista de los reparadores autorizados al servicio de atención al cliente disponible en [www.segway.com](http://www.segway.com).
- Si el producto ya no está cubierto por la garantía, puede ponerse en contacto con cualquier reparador especializado de su elección.
- Si tiene alguna pregunta, puede ponerse en contacto con el servicio de atención al cliente disponible en [www.segway.com](http://www.segway.com).

#### NOTA

Normalmente, una batería completamente cargada debería conservar la carga durante 120-180 días en el modo de reposo. Una batería con poca carga debería conservar la carga durante 30-60 días en el modo de reposo. Recuerda cargar la batería después de cada uso. Agotar la batería por completo puede ocasionar daños permanentes a la misma. Los componentes en el interior de la batería registran el estado de carga-descarga de la batería; los daños causados por sobrecarga o infradescarga no están cubiertos por la garantía limitada.

#### ⚠ ADVERTENCIA

No cargue ni use su batería si está dañada o muestra señales de estar húmeda. No intente desarmar la batería. Riesgo de incendio. No existen partes útiles para el usuario.

#### ⚠ ADVERTENCIA

No monte en el dispositivo cuando la temperatura ambiente está fuera de los límites de la temperatura de funcionamiento de la máquina (ver Especificaciones) ya que una temperatura más baja o alta que la permitida en el dispositivo limitará la potencia/par máximo del mismo. Hacerlo podría causar lesiones personales o a la propiedad a causa de resbalones o de caídas.

#### Otros

El cable flexible externo del transformador no se puede reemplazar. Si el cable sufre algún daño, deberá desechar el transformador y reemplazarlo por uno nuevo. Si tiene alguna pregunta, puede ponerse en contacto con el servicio de atención al cliente disponible en [www.segway.com](http://www.segway.com).

En caso de accidente o avería: Póngase en contacto con un reparador autorizado en caso de que el producto siga cubierto por la garantía. Si no lo está, puede ponerse en contacto con cualquier reparador especializado de su elección. Puede solicitar la lista de los reparadores autorizados al servicio de atención al cliente disponible en [www.segway.com](http://www.segway.com). Si tiene alguna pregunta, puede ponerse en contacto con el servicio de atención al cliente disponible en [www.segway.com](http://www.segway.com).

Se han hecho esfuerzos para simplificar la redacción para los usuarios. Cuando haya que realizar alguna acción que parezca demasiado complicada para el usuario, se le aconseja ponerse en contacto con un reparador autorizado o especializado o con el servicio de atención al cliente.

## 12 Especificaciones

	Componente	E22D/E22E	E22
Dimensiones	Largo x Ancho x Alto	43.7 × 16.5 × 44.1 in (111 × 42 × 112 cm)	42.9 × 16.5 × 44.1 in (109 × 42 × 112 cm)
	Plegado: Largo x Ancho x Alto	44.9 × 16.5 × 14.2 in (114 × 42 × 36 cm)	44.5 × 16.5 × 14.2 in (113 × 42 × 36 cm)
Peso	Peso neto	Approx. 29.8 lbs (13.5kg)	
Usuario	Carga útil	55–220 lbs (25–100 kg)	
	Edad recomendada	14+ years	
	Altura necesaria	3'11"–6'6" (120–200 cm)	
Parámetros de la máquina	Velocidad máx.	12.4 mph (20 km/h)	
	Autonomía típica <sup>[1]</sup>	13.7 miles (22 km)	
	Pendiente máx.	15%	
	Terreno apropiado	asfalto/pavimento plano; obstáculos < 1 cm; aberturas < 3 cm	
	Temperatura de funcionamiento	14–104°F (-10–40°C)	
	Temperatura de almacenamiento	-4–122°F (-20–50°C)	
	Índice IP	IPX4	
	Duración de la carga	3.5 h	
Batería	Corriente nominal	36 V <sub>==</sub>	
	Corriente de carga máx.	42 V <sub>==</sub>	
	Temperatura de carga	32–104°F (0–40°C)	
	Capacidad nominal	184 Wh	
	Sistema de gestión de la batería	Protección contra sobrecalentamiento, cortocircuito, sobredescarga, sobrecorriente y sobrecarga	
Motor	Número de baterías <sup>[2]</sup>	1	
	Potencia nominal	300 W, 0.3 kW	
Cargador	Salida nominal	71 W, 0.071 kW	
	Tensión nominal de entrada	100–240 V -	
	Tensión nominal de salida	42 V <sub>==</sub>	
	Corriente nominal	1.7 A	
Características	luz de freno	Luz LED trasera	
	Modos de funcionamiento	Modo de velocidad limitada, modo estándar y modo deportivo	
Rueda	Llantas	Material: gomas no neumáticas. Goma sintética. Tamaño: 9 pulgadas	

[1] Autonomía típica: probado circulando a potencia máxima, con una carga de 75 kg, a una temperatura de 25 °C, a una media del 60 % de la velocidad máxima sobre pavimento.

\* Algunos de los factores que afectan el rango incluyen: velocidad, número de arranques y paradas, temperatura ambiente, etc.

[2] Todos los modelos de KickScooter admiten una segunda batería. Algunos de los parámetros cambiarán en tal caso.

	Componente	E25D	E25E	E25A
Dimensiones	Largo x Ancho x Alto	43.7 × 16.5 × 44.1 in (111 × 42 × 112 cm)		
	Plegado: Largo x Ancho x Alto	44.9 × 16.5 × 14.2 in (114 × 42 × 36 cm)		
Peso	Peso neto	31.5 lbs (14.3 kg)		
Usuario	Carga útil	55–220 lbs (25–100 kg)		
	Edad recomendada	14+ years		
	Altura necesaria	3'11"–6'6" (120–200 cm)		
Parámetros de la máquina	Velocidad máx.	12.4 mph (20 km/h)	15.5 mph (25 km/h)	17.4 mph (28 km/h)
	Autonomía típica [1]	15.5 miles (25 km)		
	Pendiente máx.	15%		
	Terreno apropiado	asfalto/pavimento plano; obstáculos < 1 cm; aberturas < 3 cm		
	Temperatura de funcionamiento	14–104°F (-10–40°C)		
	Temperatura de almacenamiento	-4–122°F (-20–50°C)		
	Índice IP	IPX4		
	Duración de la carga	4 h		
Batería	Corriente nominal	36 V <sub>DC</sub>		
	Corriente de carga máx.	42 V <sub>DC</sub>		
	Temperatura de carga	32–104°F (0–40°C)		
	Capacidad nominal	215 Wh		
	Energía nominal	5960 mAh		
	Sistema de gestión de la batería	Protección contra sobrecalentamiento, cortocircuito, sobredescarga, sobrecorriente y sobrecarga		
	Número de baterías [2]	1		
Motor	Potencia nominal	300 W, 0.3 kW		
	Salida nominal	71 W, 0.071 kW		
Cargador	Tensión nominal de entrada	100–240 V ~		
	Tensión nominal de salida	42 V <sub>DC</sub>		
	Corriente nominal	1.7 A		
Características	luz de freno	Luz LED trasera		
	Amortiguador	delantero		
	Luz de ambiente	/	Color personalizable	Color personalizable
	Modos de funcionamiento	Modo de velocidad limitada, modo estándar y modo deportivo		
Rueda	Llantas	Material: gomas no neumáticas. Goma sintética. Tamaño: 9 pulgadas		

[1] Autonomía típica: probado circulando a potencia máxima, con una carga de 75 kg, a una temperatura de 25 °C, a una media del 60 % de la velocidad máxima sobre pavimento.

\* Algunos de los factores que afectan el rango incluyen: velocidad, número de arranques y paradas, temperatura ambiente, etc.

[2] Todos los modelos de KickScooter admiten una segunda batería. Algunos de los parámetros cambiarán en tal caso.

	Componente	E45	E45D	E45E
Dimensiones	Largo x Ancho x Alto	43.7 × 16.5 × 44.1 in (111 × 42 × 112 cm)		
	Plegado: Largo x Ancho x Alto	44.9 × 16.5 × 14.2 in (114 × 42 × 36 cm)		
Peso	Peso neto	33.1 lbs (15.0 kg)		
Usuario	Carga útil	55–220 lbs (25–100 kg)		
	Edad recomendada	14+ years		
	Altura necesaria	3'11"–6'6" (120–200 cm)		
Parámetros de la máquina	Velocidad máx.	18.6 mph (30 km/h)	12.4 mph (20 km/h)	15.5 mph (25 km/h)
	Autonomía típica [1]	28.0 miles (45 km)		
	Pendiente máx.	15%		
	Terreno apropiado	asfalto/pavimento plano; obstáculos < 1 cm; aberturas < 3 cm		
	Temperatura de funcionamiento	14–104°F (-10–40°C)		
	Temperatura de almacenamiento	-4–122°F (-20–50°C)		
	Índice IP	IPX4		
	Duración de la carga	7.5 h		
Batería	Corriente nominal	36 V <sub>DC</sub>		
	Corriente de carga máx.	42 V <sub>DC</sub>		
	Temperatura de carga	32–104°F (0–40°C)		
	Capacidad nominal	368 Wh		
	Energía nominal	10.2 Ah		
	Sistema de gestión de la batería	Protección contra sobrecalentamiento, cortocircuito, sobredescarga, sobrecorriente y sobrecarga		
	Número de baterías	2		
Motor	Potencia nominal	300 W, 0.3 kW		
	Salida nominal	71 W, 0.071 kW		
Cargador	Tensión nominal de entrada	100–240 V ~		
	Tensión nominal de salida	42 V <sub>DC</sub>		
	Corriente nominal	1.7 A		
Características	luz de freno	Luz LED trasera		
	Amortiguador	delantero		
	Luz de ambiente	Color personalizable	/	Color personalizable
	Modos de funcionamiento	Modo de velocidad limitada, modo estándar y modo deportivo		
Rueda	Llantas	Material: gomas no neumáticas. Goma sintética. Tamaño: 9 pulgadas		

[1] Autonomía típica: probado circulando a potencia máxima, con una carga de 75 kg, a una temperatura de 25 °C, a una media del 60 % de la velocidad máxima sobre pavimento.

\* Algunos de los factores que afectan el rango incluyen: velocidad, número de arranques y paradas, temperatura ambiente, etc.

## 13 Homologaciones

Para el modelo: E22, E25A, E45

Este producto cumple con las normativas ANSI/CAN/UL-2272 de la CSA.

El batería cumple con la normativa UN/DOT 38.3.

### Declaración de conformidad con la Comisión Federal de Comunicaciones (FCC) para los EE. UU.

Este dispositivo cumple la parte 15 de las normas FCC. La utilización está sujeta a las dos condiciones siguientes: (1) Este dispositivo no puede causar interferencias peligrosas y (2) este dispositivo debe aceptar cualquier interferencia recibida, incluidas las interferencias que puedan causar un funcionamiento no deseado.

#### NOTA

Este equipo se ha probado y determinado que cumple los límites para un dispositivo digital de clase B, de conformidad con la parte 15 de las normas FCC. Dichos límites están diseñados para ofrecer protección razonable contra interferencias perjudiciales en una instalación residencial. Este equipo genera, utiliza y puede radiar energía en forma de radiofrecuencia y, si no se instala y utiliza de acuerdo con las instrucciones, puede causar interferencias perjudiciales para las radiocomunicaciones. No obstante, no se ofrece garantía alguna de que no se produzcan interferencias en una instalación determinada. Si el equipo produce interferencias perjudiciales para la recepción de radio o televisión, lo cual podrá determinarse apagando y encendiendo el equipo, se recomienda al usuario que intente corregir las interferencias mediante una o varias de las siguientes medidas:

- Reorientar la antena receptora o cambiarla de posición.
- Aumentar la distancia entre el equipo y el receptor.
- Conectar el equipo a un enchufe en un circuito diferente del circuito al cual está conectado el receptor.
- Solicitar ayuda al distribuidor o a un técnico especialista en radio/TV.

Este equipo cumple los límites de exposición de radiación de la FCC establecidos para un entorno no controlado.

Declaración de conformidad con Industry Canada (IC) para Canadá

Este dispositivo cumple las normas RSS exentas de licencia de Industry Canada. La utilización está sujeta a las dos condiciones siguientes: (1) Este dispositivo no puede causar interferencias nocivas y (2) este dispositivo debe aceptar cualquier interferencia recibida, incluidas las interferencias que puedan causar un funcionamiento no deseado del dispositivo.

CAN ICES-3 (B)/NMB-3(B)

Ni Segway Inc. ni Ninebot asumen responsabilidad alguna por cambios o modificaciones no aprobados expresamente por Segway Inc. o Ninebot. Dichas modificaciones pueden anular la autoridad del usuario para utilizar el equipo.

E22	FCC ID: 2ALS8-NT9529	E25A	FCC ID: 2ALS8-KS0003	E45	FCC ID: 2ALS8-KS0001
	IC: 22636-NT9529		IC: 22636-KS0003		IC: 22636-KS0001

Para el modelo: E22D, E22E, E25D, E25E, E45D, E45E

Este producto cumple con las normativas ANSI/CAN/UL-2272 de la CSA.

El batería cumple con la normativa UN/DOT 38.3.

### Declaración de conformidad de la Unión Europea

#### Información importante sobre RAEE



Información sobre la eliminación y reciclaje de RAEE Eliminación correcta de este producto. Esta marca indica que este producto no debe eliminarse con otros residuos domésticos en toda la UE.

Para evitar posibles daños al medio ambiente o a la salud humana causados por la eliminación descontrolada de residuos, reciclelo de manera responsable a fin de promover la reutilización sostenible de recursos materiales. Para devolver su dispositivo usado, utilice los sistemas de recolección y devolución o póngase en contacto con el minorista en donde se compró el producto. Se puede llevar este producto a su reciclaje seguro para el medio ambiente.

#### Información de reciclaje de baterías para la Unión Europea



Las baterías o embalajes para baterías están etiquetados de acuerdo con la Directiva europea 2006/66/CE acerca de baterías y acumuladores y residuos de baterías y acumuladores. La Directiva determina el marco para la devolución y reciclaje de las baterías y acumuladores usados que se encuentra en vigor en toda la Unión Europea. Esta etiqueta se aplica a varias baterías para indicar que la batería no debe desecharse, sino que debe recuperarse al final de su vida útil según esta Directiva.

De acuerdo con la Directiva europea 2006/66/CE, las baterías y acumuladores están etiquetados para indicar que deben recogerse por separado y reciclarse al final de su vida útil. La etiqueta de la batería también puede incluir un símbolo químico para el metal empleado en la batería (Pb para plomo, Hg para mercurio y Cd para cadmio). Los usuarios de baterías y acumuladores no deben desechar dichas baterías y acumuladores como residuos municipales no clasificados, sino que deben usar el marco de recogida disponible para los clientes para la devolución, reciclaje y tratamiento de las baterías y acumuladores. La participación de los clientes es importante para minimizar los posibles efectos de las baterías y acumuladores sobre el medio ambiente y la salud humana derivados de la posible presencia de sustancias peligrosas.

Antes de tirar cualquier equipo eléctrico o electrónico (EEE) en la basura, el usuario final del equipo que contenga baterías y / o acumuladores debe separar las baterías de los acumuladores para entregarlos por separado.

### Directiva de Restricción de Sustancias Peligrosas (RoHS)

Este producto de Ninebot (Changzhou) Tech Co., SL. así como sus componentes (cables, cuerdas y similares) cumplen con la Directiva 2011/65/UE sobre Restricciones a la Utilización de Determinadas Sustancias Peligrosas en Aparatos Eléctricos y Electrónicos (Refundición RoHS" o "RoSH 2").

### Directiva sobre Equipos de Radio



### Segway Europe B.V.

Dirección de contacto en Europa exclusivamente para cuestiones de normativa: Hogehilweg 8, 1101CC Ámsterdam (Países Bajos).

Ninebot (Changzhou) Tech Co., Ltd, declara por la presente que el equipo inalámbrico enumerado en esta sección es conforme con los requisitos esenciales y otras disposiciones relevantes de la Directiva 2014/53/EU.

Bluetooth	Bandas de frecuencia	2.4000-2.4835GHz
	Potencia de RF máxima	100mW

## 14 Marca comercial y declaración legal

Ninebot es una marca comercial registrada de Ninebot (Tianjin) Tech. Co., Ltd; Segway y Rider Design son marcas comerciales registradas de Segway Inc.; Android y Google Play son marcas comerciales de Google Inc.; App Store es una marca de servicio de Apple Inc. Los respectivos propietarios se reservan los derechos de sus marcas comerciales citadas en este manual.

El KickScooter está cubierto por las patentes relevantes. Para consultar la información sobre las patentes, visita <http://www.segway.com>.

Hemos tratado de incluir la descripción e instrucciones para todas las funciones del KickScooter incluidas al cierre de la publicación. Sin embargo, debido a la mejora constante de las características del producto y a los cambios en el diseño, es posible que su KickScooter presente ligeras diferencias respecto al que se muestra en este documento. Visite la Apple App Store (iOS) o la Google Play Store (Android) para descargar e instalar la aplicación.

Ten en cuenta que existen numerosos modelos de Segway y Ninebot con diferentes funciones y algunas de las funciones mencionadas podrían no corresponder a tu unidad. El fabricante se reserva el derecho a modificar el diseño y las funciones del producto KickScooter y la documentación sin previo aviso.

© 2020 Segway Inc. Todos los derechos reservados.

## 15 Contactos

Contacta con nosotros si tienes problemas relacionados con el uso, mantenimiento y seguridad, o con errores/averías de tu KickScooter.

### Europa, Oriente Medio y África:

#### Segway Europe B.V.

Hogehilweg 8, 1101CC Ámsterdam (Países Bajos)

Página web: [www.segway.com](http://www.segway.com)

Ten a mano el número de serie de tu KickScooter cuando te pongas en contacto con Segway.

Puedes encontrar tu número de serie en la parte inferior de tu KickScooter o en la app en Otros ajustes → Información básica.



El fabricante se reserva el derecho a realizar cambios en el producto, actualizaciones del firmware y modificaciones de este manual en cualquier momento. Visita [www.segway.com](http://www.segway.com) o revisa la app para descargar los materiales de usuario más recientes. Debes instalar la app, activar tu KickScooter y obtener las actualizaciones e instrucciones de seguridad más recientes.

[www.segway.com](http://www.segway.com)

# Ninebot KickScooter

## Instrukcja obsługi



Tłumaczenie oryginalnego powiadomienia

## Spis treści

1 Bezpieczeństwo jazdy	02
2 Zawartość opakowania	04
3 Schemat	05
4 Montaż hulajnogi	06
5 Instalacja zestawu drugiego akumulatora (opcja)	07
6 Pierwsza jazda	08
7 Ładowanie	09
8 Nauka jazdy	09
9 Ostrzeżenia	11
10 Składanie i przenoszenie	15
11 Obsługa	15
12 Charakterystyka	17
13 Atesty	20
14 Znak towarowy i oświadczenia prawne	23
15 Kontakty	23

## Dziękujemy za wybór hulajnogi Ninebot KickScooter Max (zwanej dalej hulajnogą)!

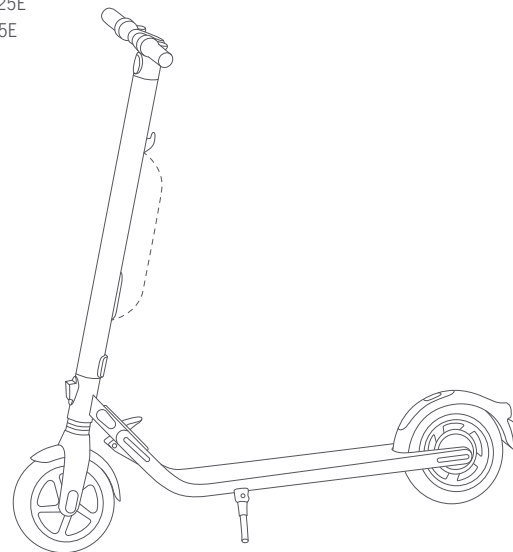
Twoja hulajnoga to produkt rekreacyjny z aplikacją mobilną, umożliwiającą łączenie się z innymi kierowcami. Ciesz się jazdą i łącz się z użytkownikami na całym świecie!

Niniejsza instrukcja ma zastosowanie do następujących modeli:

Serii E22: E22 / E22D / E22E

Serii E25: E25A / E25D / E25E

Serii E45: E45 / E45D / E45E



### ▲OSTRZEŻENIE

Zawsze korzystaj z hamulca elektrycznego razem z hamulcem nożnym w przypadku hamowania nagłego. W przeciwnym przypadku ryzykujesz upadek i/lub zderzenie przez nie uzyskanie maksymalnej siły hamowania.

\* Rysunek jest tylko poglądowy. Szczegóły znajdują się w faktycznym produkcie.

# 1 Bezpieczeństwo jazdy

1. Hulajnoga elektryczna jest pojazdem rekreacyjnym. Opanowanie umiejętności jazdy wymaga praktyki. Ani Ninebot Inc. (firma Ninebot [Beijing] Tech Co., Ltd. Oraz jej spółki zależne i stowarzyszone) ani Segway Inc. nie ponoszą odpowiedzialności za obrażenia lub szkody spowodowane przez brak doświadczenia kierowcy lub nieprzestrzeganie instrukcji zawartych w tym dokumencie.
2. Ryzyko można zmniejszyć, postępując zgodnie ze wszystkimi wskazówkami i ostrzeżeniami zawartymi w tej instrukcji, ale nie można go całkowicie wyeliminować. Pamiętaj, że za każdym razem, gdy jeździsz na hulajnodzie, ryzykujesz zranienie z powodu utraty kontroli, kolizji i upadków. Wjeżdżając do przestrzeni publicznej, zawsze przestrzegaj stosownych przepisów i zasad. Podobnie, jak w przypadku innych pojazdów, większe prędkości wymagają dłuższej drogi hamowania. Nagłe hamowanie na gładkich nawierzchniach może doprowadzić do poślizgu kół, utraty równowagi lub upadku. Bądź ostrożny i podczas jazdy zawsze zachowuj bezpieczną odległość między sobą, a innymi ludźmi lub pojazdami. Bądź czujny i zwolnij wjeżdżając na nieznaną teren.
3. Podczas jazdy zawsze nos kask. Używaj atestowanego kasku rowerowego lub deskorolkowego, dobrze dopasowanego, z paskiem pod broda i zapewniającego ochronę tyłnej części głowy.
4. Nie próbuj swojej pierwszej jazdy wykonywać w miejscach, w których możesz spotkać dzieci, pieszych, zwierzęta domowe, pojazdy, rowery lub inne przeszkody i potencjalne zagrożenia.
5. Uważaj na pieszych zawsze ustępując im pierwszeństwa. Jeśli jest to możliwe, omijaj ich po lewej stronie. Zbliżając się do pieszego z naprzeciwka, trzymaj się prawej strony i zwolnij. Unikaj zaskakiwania pieszych - gdy zbliżasz się od tyłu daj o sobie znać i zwolnij podczas mijania do prędkości chodu. W innych sytuacjach, przestrzegaj przepisów ruchu drogowego i innych obowiązujących zasad.
6. W miejscach, w których nie obowiązują przepisy, należy postępować zgodnie z wytycznymi dotyczącymi bezpieczeństwa, opisanymi w tej instrukcji obsługi. Firma Ninebot i Segway Inc. nie ponoszą odpowiedzialności za szkody w mieniu, obrażenia/śmierć ludzi, wypadki lub spory prawne, spowodowane naruszeniem instrukcji bezpieczeństwa.
7. Nie pozwalaj nikomu na samodzielną jazdę hulajnogą, o ile ta osoba nie zapoznała się z tą instrukcją obsługi i nie przeszła przez samouczek nowego kierowcy, dostępny w aplikacji. Dbałość o bezpieczeństwo nowych użytkowników należy do Ciebie. Pomagaj nowym użytkownikom do czasu, aż dobrze opanują podstawy używania hulajnog. Sprawdź, czy każdy nowy użytkownik zakłada kask i inne części ochronne.
8. Przed każdą jazdą sprawdź, czy elementy złączne nie są poluzowane, czy części składowe nie są uszkodzone, a ciśnienie w kołach nie jest za niskie. Jeśli hulajnoga wydaje nieprawidłowe dźwięki lub dźwięki alarmowe, natychmiast przerwij jazdę. Zdiagnozuj hulajnogę za pomocą aplikacji Ninebot by Segway i zwróć się do swojego sprzedawcy/przedstawiciela firmy o przeprowadzenie jego przeglądu.
9. Zachowaj czujność! Obserwuj trasę jazdy w oddali oraz teren bezpośrednio przed pojazdem – Twoje oczy są najlepszym narzędziem do bezpiecznego omijania przeszkód i miejsc o obniżonej przyczepności (w tym między innymi: mokrego gruntu, luźnego piasku, żwiru i oblodzonych powierzchni).
10. Aby zmniejszyć ryzyko obrażeń, należy przeczytać i przestrzegać wszystkich komunikatów „UWAGA” i „OSTRZEŻENIE”, znajdujących się w tym dokumencie. Nie jeźdź hulajnogą z niebezpieczną prędkością. Pod żadnym pozorem nie wolno wjeżdżać na drogi, po których poruszają się samochody. Producent zaleca, aby kierujący mieli co najmniej 14 lat. Zawsze przestrzegaj następujących

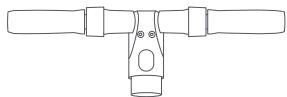
instrukcji bezpieczeństwa:

- A. Osoby, które nie powinny poruszać się na hulajnodzie:
    - i. osoby znajdujące się pod wpływem alkoholu lub narkotyków;
    - ii. osoby cierpiące na chorobę, która naraza je na ryzyko w przypadku podjęcia zwiększonego wysiłku fizycznego;
    - iii. osoby mające problemy z utrzymaniem równowagi lub z umiejętnościami motorycznymi, które mogłyby zakłócać ich zdolność do zachowania równowagi;
    - iv. każdy, kto przekracza określone wartości graniczne wzrostu lub wagi (patrz „Charakterystyka”):
      - v. kobiety w ciąży.
  - B. Użytkownicy w wieku poniżej 18 lat powinni jeździć pod nadzorem osoby dorosłej.
  - C. Podczas korzystania z urządzenia należy przestrzegać obowiązujących przepisów i zasad. Nie jeździć w miejscach niedozwolonych lokalnymi przepisami.
  - D. Aby być bezpiecznym podczas jazdy, musisz wyraźnie widzieć to, co znajduje się przed Tobą i sam musisz być wyraźnie widoczny dla innych.
  - E. Nie korzystaj z hulajnogę jeżdżąc po śniegu, w deszczu ani po drogach, które są mokre, błotniste, oblodzone lub śliskie z jakiegokolwiek powodu. Nie przejeżdżaj przez przeszkody (piasek, luźny żwir lub galezie). Może to doprowadzić do utraty równowagi lub przyczepności i grozi upadkiem.
11. Nie próbuj ładować hulajnogę, gdy ona sama, ładowarka lub gniazdko elektryczne są mokre lub zniszczone.
  12. Podobnie jak w przypadku każdego urządzenia elektronicznego podczas ładowania należy używać ogranicznika przepięcia, aby chronić hulajnogę przed uszkodzeniem w wyniku wylądowania energii i skoków napięcia. Używaj wyłącznie ładowarki dołączonej do Segway'a. Nie używaj ładowarek z innych modeli.
  13. Używaj tylko części i akcesoriów dopuszczonych przez Ninebot lub Segway. Nie modyfikuj swojej hulajnogę. Zmiany w hulajnodzie mogą zakłócać jej działanie, mogą spowodować poważne obrażenia i/lub szkody oraz grozić utratą ograniczonej gwarancji.
  14. Dzieci nie powinny bawić się hulajnogą lub jej częściami. Nie powinny też jej czyszczyć ani konserwować. Korzystanie z urządzenia powoduje przenoszenie drgań na całe ciało użytkownika.
  15. Zawsze stawiaj hulajnogę na podłodze na płaskiej i stabilnej powierzchni. Hulajnoga musi być ustawiona na podłodze w kierunku pochyłości stołu, aby zapobiec jej przewróceniu się. Nigdy nie stawiaj hulajnogę zwróconą przodem w dół zbocza, ponieważ podpora może się zamknąć i urządzenie się przewrócić. Po ustawieniu hulajnogę sprawdź jej stabilność, aby uniknąć ryzyka upadku (z powodu poślizgu, wiatru lub lekkich wstrząsów). Nie parkuj hulajnogę w zatoczonym obszarze, raczej wybierz miejsce wzdłuż ściany. Jeśli to możliwe, zawsze wybieraj miejsce parkowania na płaskim terenie.
  16. Aby mieć lepsze doświadczenia z jazdy, zaleca się regularną konserwację produktu.
  17. Przed ładowaniem akumulatora należy zapoznać się z instrukcją obsługi.
  18. Nie należy dotykać układu hamulcowego, gdyż może to spowodować zagrożenie dla bezpieczeństwa.
  19. Krzywa korekcyjna A poziomu emisji ciśnienia akustycznego jest mniejsza niż 70 dB(A). Drgania mechaniczne generowane przez hulajnogę są mniejsze niż 2,5 m/s<sup>2</sup>.

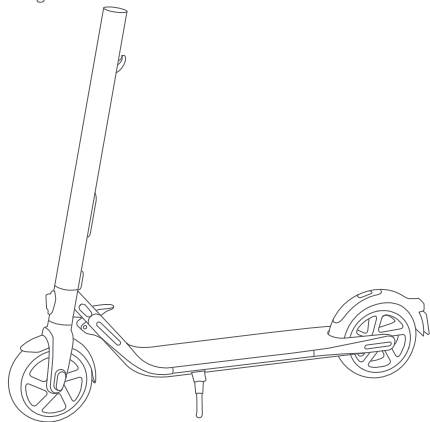


## 2 Zawartość opakowania

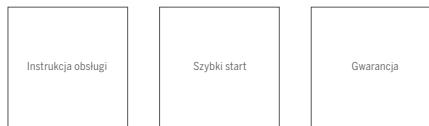
Kierownica



Rama główna



Materiały użytkownika



Drugi zestaw akumulatorów



Wyposażenie

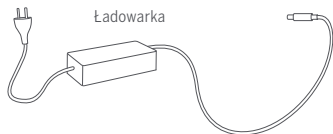
Sruba z łbem płaskim M5 × 7  
(jeden dodatkowy)



Klucz 6-kątny



Ładowarka



Dzwonek

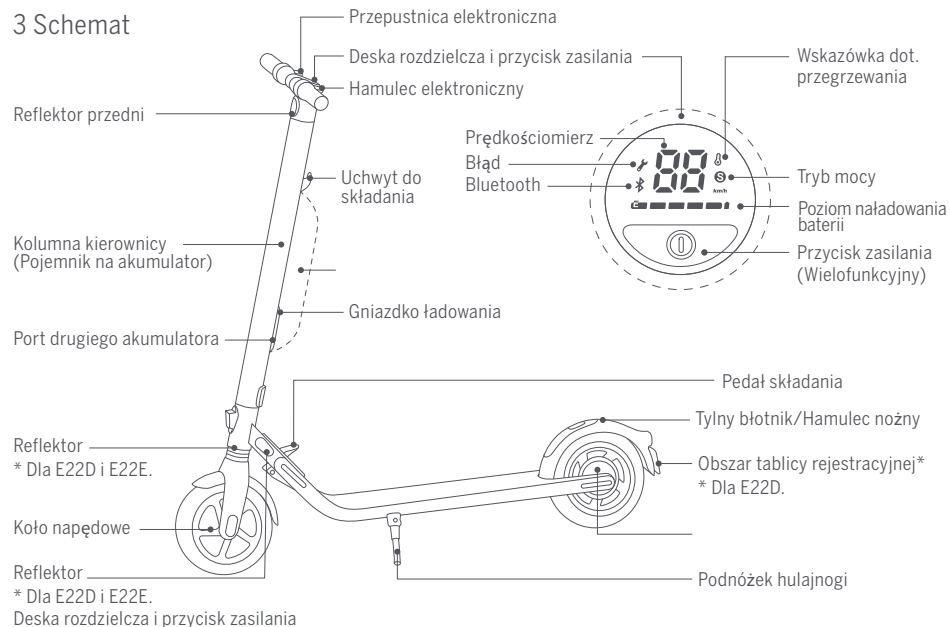


Podczas rozpakowywania hulajnogi sprawdź, czy powyższe elementy znajdują się w zestawie. W przypadku braku jakichkolwiek elementów, skontaktuj się ze sprzedawcą/przedstawicielem handlowym lub najbliższą stacją obsługi (patrz „Kontakt” w instrukcji obsługi). Po sprawdzeniu, czy wszystkie elementy są obecne i w dobrym stanie, możesz przystąpić do montażu hulajnogi.

Zachowaj opakowanie i materiały z opakowania na wypadek ewentualnej wysyłki hulajnogi w przyszłości.

Przed zmontowaniem, montażem akcesoriów lub czyszczeniem, zawsze odłączaj zasilanie hulajnogi oraz kabel zasilający.

## 3 Schemat



Prędkościomierz: wskazuje aktualną prędkość hulajnogi. Wyświetla również kody błędów.

Poziom naładowania baterii: wskazuje poziom naładowania akumulatora za pomocą 5 pasków. Każdemu paskowi odpowiada około 20% mocy.

Tryb mocy:

- Czerwona ikona „S”: tryb sportowy (maksymalna moc/prędkość).
- Biała ikona „S”: tryb standardowy (średnia moc/prędkość).
- Brak ikony „S”: tryb ograniczenia prędkości (minimalna moc/prędkość).

Bluetooth: ikona wskazuje, że hulajnoga została pomyślnie połączona z urządzeniem mobilnym.

Przycisk zasilania: naciśnij, aby wyłączyć hulajnogę; naciśnij i przytrzymaj przycisk przez 3 sekundy, aby wyłączyć hulajnogę. Gdy hulajnoga jest włączona, naciśnij przycisk, aby włączyć/wyłączyć reflektor, naciśnij dwukrotnie, aby przełączać tryby.

Wskazówka dot. przegrzewania: Zawsze włączona ikona termometru wskazuje, że temperatura akumulatora osiągnęła 50 °C.

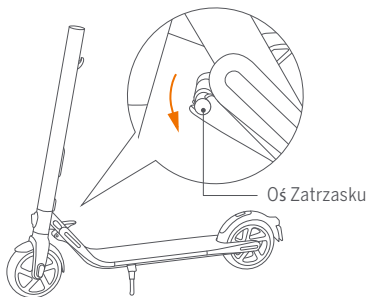
W takim przypadku pojazd nie może przyspieszać normalnie i może nie być naładowany. Nie korzystaj z niego, aż temperatura spadnie do normalnego zakresu.

Błąd: ikona klucza wskazuje, że hulajnoga wykryła błąd.

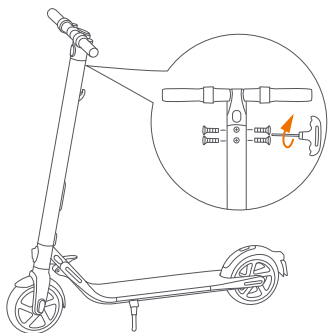
## 4 Montaż hulajnogi

1. Rozłóż kolumnę kierownicy i popchnij do przodu. Podnieś pedał składania. Następnie rozłóż podnóżek hulajnogi, aby uzyskać podparcie.

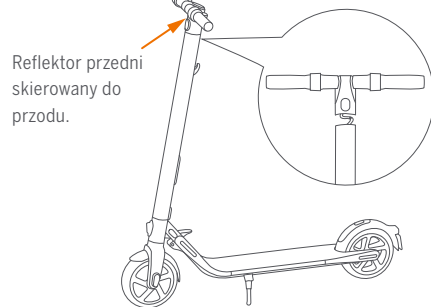
**Uwaga:** Sprawdź, czy oś zatrzasku mechanizmu składania jest prawidłowo zabezpieczona.



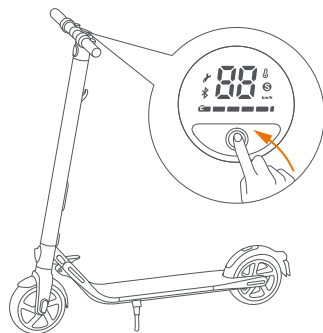
3. Za pomocą załączonego klucza 6-kątnego wkręć cztery śruby (po dwie z każdej strony).



2. Połącz przewody wewnątrz kierownicy z przewodami kolumny kierownicy. Nasuń kierownicę na kolumnę kierownicy. Pamiętaj o właściwym ustawieniu kierownicy. Reflektor przedni skierowany do przodu.

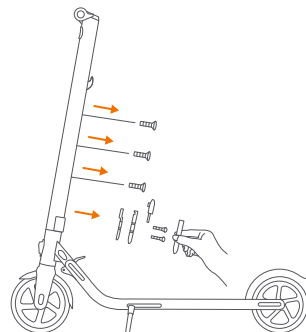


4. Sprawdź, czy zasilanie hulajnogi włącza się i wyłącza.

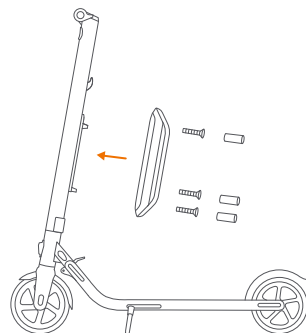


## 5 Instalacja zestawu drugiego akumulatora (opcja) **▲ Ostrzeżenie:** należy stosować wyłącznie śruby załączone do tego produktu.

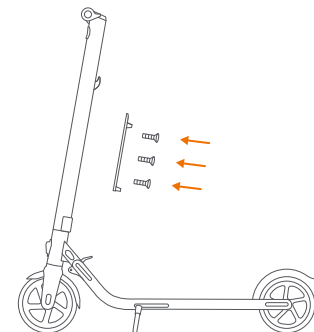
1. Usunąć trzy śruby z ramy jak pokazano na rysunku. Następnie zdjąć pokrywę przy porcie ładowania i wykręcić śrubę M3.



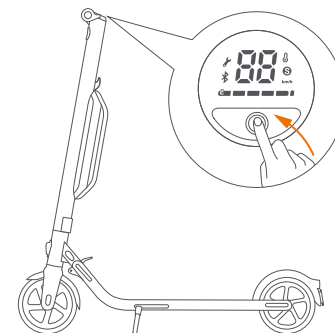
3. Zainstalować zewnętrzny akumulator na szynie i przymocować go 2 sz. Śrub M4 (20mm) i jedną śrubą M3, które to załączone są do tego produktu. Po ich prawidłowym zainstalowaniu, zatkać otwory ze śrubami gumowymi zatyczkami.



2. Zainstalować szynę śrubami M4 (10mm) (3 szt.) dołączonymi do tego produktu. Sprawdzić czy są one prawidłowo zamocowane.



4. Sprawdź, czy zasilanie hulajnogi włącza się i wyłącza.



## 6 Pierwsza jazda

⚠ Podczas nauki jazdy na hulajnodze elektrycznej istnieje zagrożenie bezpieczeństwa. Przed pierwszą jazdą musisz zapoznać się z „Instrukcją bezpieczeństwa”, dostępną w aplikacji.



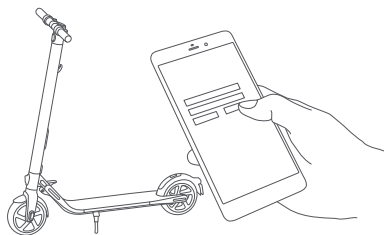
Segway-Ninebot App

Ze względów bezpieczeństwa Twoja hulajnoga nie jest jeszcze aktywowana i będzie od czasu do czasu emitowała sygnał dźwiękowy po włączeniu zasilania.

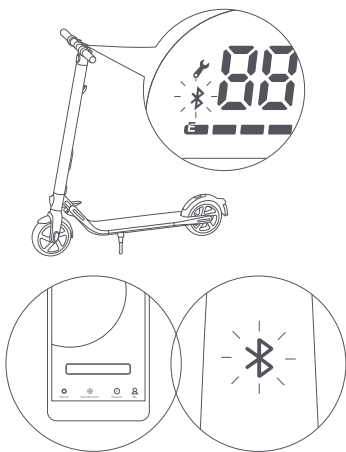
Do momentu aktywacji, hulajnoga rozwija bardzo niską prędkość jazdy i nie można jeszcze wtedy korzystać z wszystkich funkcji. Aby aktywować hulajnogę i korzystać w pełni z jej osiągnięć zainstaluj aplikację na urządzeniu mobilnym (z Bluetooth 4.0 lub nowszym), połącz się z hulajnogą poprzez Bluetooth i postępuj zgodnie z instrukcjami aplikacji.

Pobierz aplikację, skanując kod QR.

### 1 Włącz zasilanie hulajnogę.



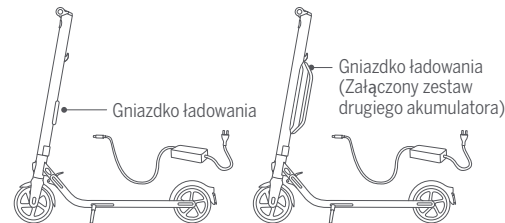
### 2 Migająca ikonka Bluetooth wskazuje, że hulajnoga oczekuje na połączenie.



### 3 Połącz się z hulajnogą klikając na opcji „Pojazd” → „Skanowanie w poszukiwaniu pojazdów” (Vehicle → Scan for device). Po nawiązaniu połączenia rozlegnie się sygnał dźwiękowy. Ikonka Bluetooth przestanie migać i pozostanie włączona.

### 4 Postępuj zgodnie z instrukcjami aplikacji, aby aktywować hulajnogę i nauczyć się bezpiecznej jazdy. Możesz teraz zacząć korzystać z hulajnogę, sprawdzając jej stan za pomocą aplikacji i wchodzić w interakcje z innymi użytkownikami.

## 7 Ładowania



Wskazówki dotyczące ładowania



### ⚠ OSTRZEŻENIE

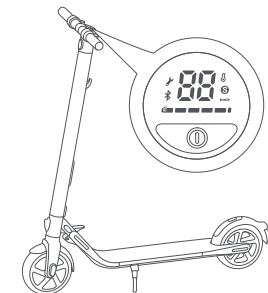
Nie podłączaj ładowarki, gdy gniazdko ładowania lub kabel ładowania są mokre. Nie korzystaj z ładowarki ani baterii, jeśli są uszkodzone lub widać na nich ślady wody.

KickScooter jest w pełni naładowana, gdy dioda LED na ładowarce zmienia kolor z czerwonego (ładowanie) na zielony (ładowanie podtrzymujące).

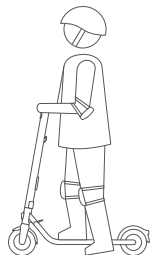
## 8 Nauka jazdy



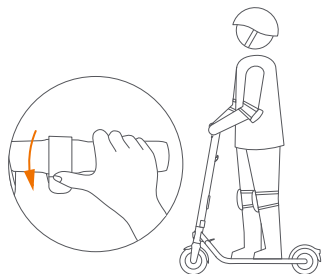
Aby do minimum ograniczyć wszelkie możliwe obrażenia, do jazdy nakładaj atestowany kask oraz wyposażenie ochronne.



1. Włącz zasilanie i sprawdź poziom naładowania na wskaźniku. Jeśli poziom naładowania akumulatora jest niski, podładuj hulajnogę.

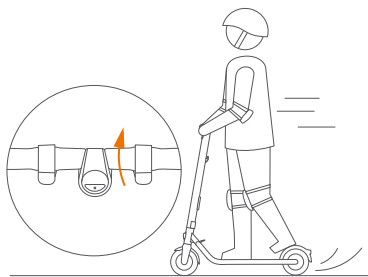


2. Aby zacząć ślizg, stań jedną nogą na podnóżku i odepchnij się drugą nogą.

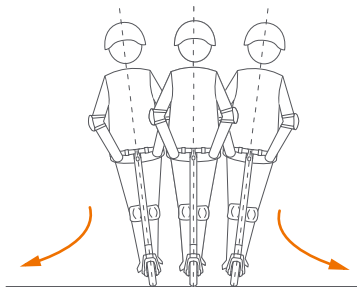


3. Połóż drugą nogę na podnóżku w taki sposób, aby obie stopy były stabilne. Po osiągnięciu równowagi przyspiesz, naciskając przepustnicę po prawej stronie.

**UWAGA:** Ze względów bezpieczeństwa silnik nie zacznie działać, dopóki hulajnoga nie osiągnie prędkości 2.5 mph (4 km/h).



4. Zmniejsz prędkość, zwalniając przepustnicę. Docisnąć hamulec elektroniczny i jednocześnie nacisnąć nogą błotnik, aby uzyskać nagłe hamowanie.



5. Aby skręcić przenieś ciężar ciała i lekko skłoń kierownicę.

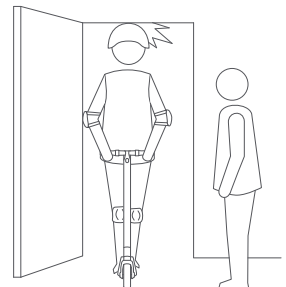
#### ⚠ OSTRZEŻENIE

Przy gwałtownym hamowaniu ryzykujesz poważne obrażenia z powodu utraty przyczepności i możliwości upadku. Utrzymuj umiarkowaną prędkość i miej na uwadze potencjalne zagrożenia.

## 9 Ostrzeżenia



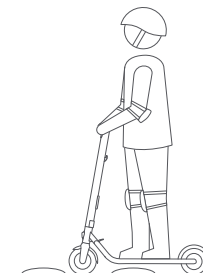
⚠ NIE UŻYWAJ hulajnogi podczas deszczu. NIE doprowadzaj do jej zmknięcia.



⚠ Przejeżdżając przez drzwi uważaj na głowę.

#### ⚠ OSTRZEŻENIE

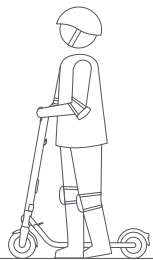
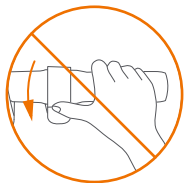
Nieprzestrzeganie tych instrukcji może prowadzić do poważnych urazów i obrażeń.



⚠ Podczas przejeżdżania przez progi spowalniające, progi wind, nierówności na drodze itp. należy zachować prędkość 5–10 km/h. Aby poprawić komfort jazdy po takich powierzchniach, lekko ugiąć kolana.



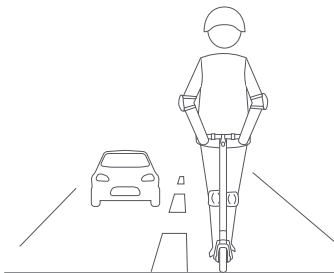
⚠ Obserwuj prędkość podczas zjazdu. Podczas jazdy z dużą prędkością używaj obu hamulców jednocześnie.



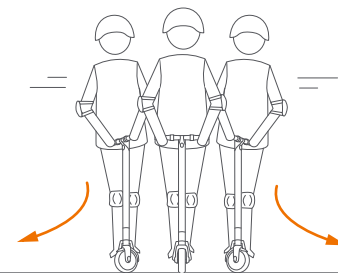
**!** NIE NACISKAJ przepustnicy prowadzac hulajnoge.



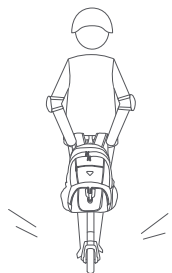
**!** Unikaj kontaktu opony/koła z przeszkodami.



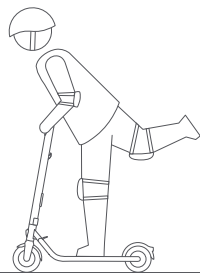
**!** NIE KORZYSTAJ z hulajnogi jeżdżąc po drogach publicznych, ekspresowych czy autostradach.



**!** NIE OBRACAJ kierownicy gwałtownie podczas jazdy z duża predkoscia.



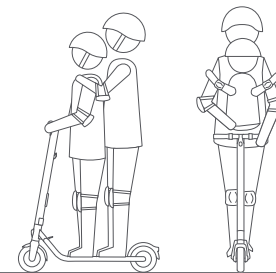
**!** NIE WÓZ ciężkich przedmiotów na kierownicy.



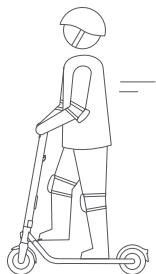
**!** NIE KORZYSTAJ z hulajnogi stojąc tylko na jednej nodze.



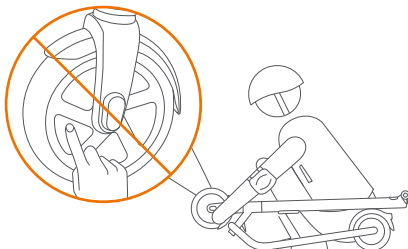
**!** Nie należy przejeżdżać przez kałuże ani inne przeszkody (wodne). W takim przypadku należy zmniejszyć predkosć i omijać przeszkody.



**!** Hulajnoga jest przeznaczona tylko dla jednego kierowcy. Nie przewoź pasażerów. Nie woź dzieci. Nie korzystaj z hulajnogi będąc w ciąży.



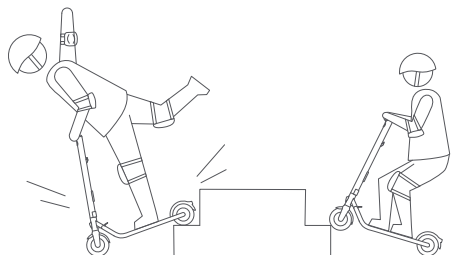
⚠ NIE naciskać nogą na pedał składania podczas jazdy.



⚠ Po skończeniu jazdy NIE DOTYKAJ palców napedowej, ponieważ może być gorąca.



⚠ Podczas jazdy NIE ZDEJMUJ rąk z kierownicy. Nie kieruj tylko jedną ręką.

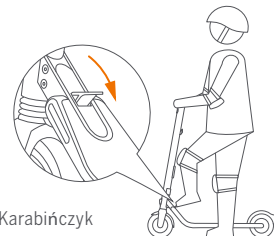


⚠ NIE WJEZDZAJ po schodach ani z nich NIE ZJEZDZAJ; nie skacz przez przeszkody.

#### ⚠ OSTRZEŻENIE

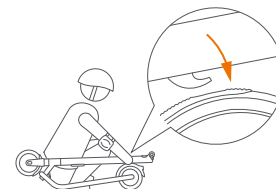
Zawsze trzymaj obie ręce na kierownicy, w innym wypadku ryzykujesz poważne obrażenia z powodu utraty równowagi i upadków.

## 10 Składanie i przenoszenie

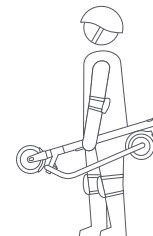


Karabińczyk

Nacisnąć na pedał składania, popychając jednocześnie kierownicę lekko do przodu.



Złożyć kierownicę aż zablokuje się na tylnym zderzaku.



Kiedy KickScooter jest już złożony, podnieść go za ramię.

## 11 Obsługa

### Czyszczenie i przechowywanie

Do czyszczenia ramy głównej używaj miękkiej, wilgotnej ściereczki. Trudno do usunięcia zabrudzenia można użyć szczoteczki i pasty do zębów, a następnie oczyścić miękką, wilgotną ściereczką.

### UWAGA

Nie myj hulajnogi alkoholem, benzyną, acetonem ani innymi zręcznymi/lotnymi rozpuszczalnikami. Substancje te mogą uszkodzić powierzchnie i konstrukcję wewnętrzną pojazdu. Nie myj hulajnogi za pomocą myjki wysokociśnieniowej lub strumieniem wody pod dużym ciśnieniem.

### ⚠ OSTRZEŻENIE

Przed czyszczeniem upewnij się, że zasilanie hulajnogi jest WYŁĄCZONE, kabel ładowania jest odłączony, a gumowa zasłepka gniazdka ładowania jest szczelnie zamknięta; w przeciwnym razie możesz narazić się na porażenie prądem lub uszkodzenie części elektronicznych.

Przechowuj pojazd w chłodnym, suchym miejscu. Nie przechowuj go na zewnątrz przez dłuższy czas. Narazenie na działanie promieni słonecznych i skrajnych temperatur (zarówno wysokich, jak i niskich) przyspieszy proces starzenia się elementów z tworzywa sztucznego i

może ograniczyć trwałość akumulatora.

#### Wymień opony

Opony dostarczane wraz z produktem powinny być montowane na kołach przez profesjonalny serwis. Demontaż kół jest skomplikowany, a nieprawidłowy montaż może prowadzić do niestabilności i nieprawidłowego działania:

- Jeśli produkt jest nadal na gwarancji producenta, można skontaktować się z autoryzowanym serwisem.
- Jeśli produkt nie ma gwarancji, można skontaktować się z dowolnym specjalistycznym serwisem.
- W razie dalszych pytań można skontaktować się z działem obsługi klienta na stronie [www.segway.com](http://www.segway.com).

#### Konserwacja akumulatora dla użytkownika

Wyjście akumulatora jest skomplikowane i może zmienić działanie urządzenia: Jeśli produkt jest nadal na gwarancji, można skontaktować się z autoryzowanym serwisem. Jeśli produkt nie ma gwarancji, można skontaktować się z dowolnym specjalistycznym serwisem. W razie dalszych pytań można skontaktować się z działem obsługi klienta dostępnym na stronie [www.segway.com](http://www.segway.com).

Nie przechowuj ani nie ładuj akumulatora w temperaturze przekraczającej podane wartości graniczne (patrz „Charakterystyka”). Nie przebijaj akumulatora. Należy zapoznać się z miejscowymi przepisami i zasadami dotyczącymi recyklingu i/lub utylizacji akumulatorów.

Dobrze utrzymany akumulator może być sprawny nawet po wielu kilometrach jazdy. Ładuj akumulator po każdej jeździe i unikaj całkowitego rozładowania. Zasięg i osiągi akumulatora są najlepsze w przypadku używania urządzenia w temperaturze pokojowej (22°C [70°F]); używanie go w temperaturze poniżej 0°C (32°F) może zmniejszyć zasięg i osiągi. Zazwyczaj, przy -20°C (-4°F) zasięg może być o połowę mniejszy od zasięgu tego samego akumulatora w temperaturze 22°C (70°F). Po wzroście temperatury zasięg akumulatora zostanie przywrócony. Więcej informacji na ten temat dostępnych jest w aplikacji.

#### UWAGA

Zazwyczaj, w pełni naładowany akumulator powinien zachować swój ładunek przez 120-180 dni. Akumulator małej mocy powinien zachować ładunek przez 30-60 dni. Pamiętaj, aby ładować akumulator po każdym użyciu. Całkowite rozładowanie akumulatora może spowodować jego trwałe uszkodzenie. Elektronika wewnątrz akumulatora rejestruje stan naładowania i rozładowania akumulatora; uszkodzenia spowodowane nadmiernym rozładowaniem lub niedostatecznym rozładowaniem nie będą objęte gwarancją.

#### ⚠ OSTRZEŻENIE

Nie próbuj demontować akumulatora, gdyż istnieje ryzyko wystąpienia pożaru. Nie dotykaj styków baterii. Nie demontuj ani nie przekłuwaj obudowy. Styki akumulatora należy trzymać z dala od metalowych przedmiotów, aby zapobiec zwarciu. Istnieje ryzyko pożaru i porażenia prądem. W akumulatorze nie ma części, które mogą być serwisowane samodzielnie przez użytkownika. Nie ładuj ani nie używaj baterii, jeśli jest uszkodzona lub widac ślady wody.

#### ⚠ OSTRZEŻENIE

Nie jeździć, gdy temperatura otoczenia jest poza temperaturą pracy pojazdu (patrz na „Charakterystykę”), ponieważ zbyt niska/wysoka temperatura ograniczy maksymalną moc/moment obrotowy. Może to spowodować obrażenia lub uszkodzenia mienia na skutek poslizgnięć lub upadków.

#### Inne

Zewnętrzny przewód tego transformatora nie może być wymieniony; jeśli przewód zostanie uszkodzony, należy wymienić transformator na nowy. W razie dalszych pytań można skontaktować się z działem obsługi klienta dostępnym na stronie [www.segway.com](http://www.segway.com).

W razie wypadku lub awarii: Jeśli produkt jest nadal na gwarancji, można skontaktować się z autoryzowanym serwisem. Jeśli nie ma gwarancji, można skontaktować się z dowolnym specjalistycznym serwisem. W razie dalszych pytań można skontaktować się z działem obsługi klienta na stronie [www.segway.com](http://www.segway.com).

Sformułowania w niniejszej instrukcji obsługi zostały uproszczone dla użytkowników. Gdy czynność wydaje się zbyt skomplikowana dla użytkownika, zaleca się kontakt z autoryzowanym lub wyspecjalizowanym serwisem lub działem obsługi klienta.

## 12 Charakterystyka

	Poz	E22D/E22E	E22
Wymiary	dł. x szer. x wys.	43.7 × 16.5 × 44.1 in (111 × 42 × 112 cm)	42.9 × 16.5 × 44.1 in (109 × 42 × 112 cm)
	Złożony: dł. x szer. x wys.	44.9 × 16.5 × 14.2 in (114 × 42 × 36 cm)	44.5 × 16.5 × 14.2 in (113 × 42 × 36 cm)
Masa	Masa netto	Okolo 29.8 lbs (13.5kg)	
Kierowca	Ładunek użyteczny	55–220 lbs (25–100 kg)	
	Zalecany wiek	14+ years	
	Wymagana wysokość	3'11"–6'6" (120–200 cm)	
Parametry urządzenia	Prędkość max.	12.4 mph (20 km/h)	
	Typowy zasięg <sup>[1]</sup>	13.7 miles (22 km)	
	Max. nachylenie	15%	
	Możliwość jazdy po	asfalcie/płaskim chodniku; przeszkody < 1 cm (0,4 in); szczylny < 3 cm (1,2 in)	
	Temperatura robocza	14–104°F (-10–40°C)	
	Temperatura przechowywania	-4–122°F (-20–50°C)	
	Klasa ochrony	IPX4	
Akumulator	Czas ładowania	Okolo 3.5 h	
	Napięcie znamionowe	36 V <sub>---</sub>	
	Max. napięcie ładowania	42 V <sub>---</sub>	
	Temperatura ładowania	32–104°F (0–40°C)	
	Pojemność znamionowa	184 Wh	
	System zarządzania baterią	Przegrzanie, zwarcie, przepięcie i przeładowanie	
	Liczba akumulatorów <sup>[2]</sup>	1	
Silnik	Moc znamionowa	300 W, 0.3 kW	
	Moc WY	71 W, 0.071 kW	
Prostownik	Napięcie WE	100–240 V <sup>-</sup>	
	Napięcie WY	42 V <sub>---</sub>	
	Prąd WY	1.7 A	
Funkcje	Światło hamowania	Lampa diodowa tylna	
	Tryby jazdy	Tryb oszczędzania energii, standardowy i sportowy	
Opona	Opony	Materiał: opony nie pneumatyczne, guma syntetyczna. Rozmiar: 9 cali.	

[1] Typowy zasięg: testowany podczas jazdy z pełną mocą, obciążeniem 75 kg, 25°C, średnio 60% prędkości max., na chodniku.

\* Niektóre czynniki, wpływające na zasięg to: prędkość, liczba uruchomień i zatrzymań urządzenia, temperatura otoczenia itp.

[2] Wszystkie modele KickScooter mogą mieć zainstalowany drugi akumulator. Jednakże niektóre parametry ulegną wtedy zmianie.

	Poz	E25D	E25E	E25A	
Wymiary	dł. x szer. x wys.	43.7 × 16.5 × 44.1 in (111 × 42 × 112 cm)			
	Złożony: dł. x szer. x wys.	44.9 × 16.5 × 14.2 in (114 × 42 × 36 cm)			
Masa	Masa netto	31.5 lbs (14.3 kg)			
Kierowca	Ładunek użyteczny	55–220 lbs (25–100 kg)			
	Zalecany wiek	14+ years			
	Wymagana wysokość	3'11"–6'6" (120–200 cm)			
Parametry urządzenia	Prędkość max.	12.4 mph (20 km/h)	15.5 mph (25 km/h)	17.4 mph (28 km/h)	
	Typowy zasięg [1]	15.5 miles (25 km)			
	Max. nachylenie	15%			
	Możliwość jazdy po	asfalcie/płaskim chodniku; przeszkody < 1 cm (0,4 in); szczeliny < 3 cm (1,2 in)			
	Temperatura robocza	14–104°F (-10–40°C)			
	Temperatura przechowywania	-4–122°F (-20–50°C)			
	Klasa ochrony	IPX4			
	Czas ładowania	4 h			
	Akumulator	Napięcie znamionowe	36 V===		
		Max. napięcie ładowania	42 V===		
Temperatura ładowania		32–104°F (0–40°C)			
Pojemność znamionowa		187 Wh			
Energia nominalna		5960 mAh			
System zarządzania baterią		Przegrzanie, zwarcie, przepięcie i przeładowanie			
Silnik	Liczba akumulatorów [2]	1			
	Moc znamionowa	300 W, 0.3 kW			
Prostownik	Moc WY	71 W, 0.071 kW			
	Napięcie WE	100–240 V-			
	Napięcie WY	42 V===			
	Prąd WY	1.7 A			
Funkcje	Światło hamowania	Lampa diodowa tylna			
	Amortyzator	przód			
	Oświetlenie otoczenia	/	dostosowywany kolor	dostosowywany kolor	
	Tryby jazdy	Tryb oszczędzania energii, standardowy i sportowy			
Opona	Opony	Materiał: opony nie pneumatyczne, guma syntetyczna. Rozmiar: 9 cali.			

[1] Typowy zasięg: testowany podczas jazdy z pełną mocą, obciążeniem 75 kg, 25°C, średnio 60% prędkości max., na chodniku.

\* Niektóre czynniki, wpływające na zasięg to: prędkość, liczba uruchomień i zatrzymań urządzenia, temperatura otoczenia itp.

[2] Wszystkie modele KickScooter mogą mieć zainstalowany drugi akumulator. Jednakże niektóre parametry ulegną wtedy zmianie.

	Poz	E45	E45D	E45E	
Wymiary	dł. x szer. x wys.	43.7 × 16.5 × 44.1 in (111 × 42 × 112 cm)			
	Złożony: dł. x szer. x wys.	44.9 × 16.5 × 14.2 in (114 × 42 × 36 cm)			
Masa	Masa netto	33.1 lbs (15.0 kg)			
Kierowca	Ładunek użyteczny	55–220 lbs (25–100 kg)			
	Zalecany wiek	14+ years			
	Wymagana wysokość	3'11"–6'6" (120–200 cm)			
Parametry urządzenia	Prędkość max.	18.6 mph (30 km/h)	12.4 mph (20 km/h)	15.5 mph (25 km/h)	
	Typowy zasięg [1]	28.0 miles (45 km)			
	Max. nachylenie	15%			
	Możliwość jazdy po	asfalcie/płaskim chodniku; przeszkody < 1 cm (0,4 in); szczeliny < 3 cm (1,2 in)			
	Temperatura robocza	14–104°F (-10–40°C)			
	Temperatura przechowywania	-4–122°F (-20–50°C)			
	Klasa ochrony	IPX4			
	Czas ładowania	7.5 h			
	Akumulator	Napięcie znamionowe	36 V===		
		Max. napięcie ładowania	42 V===		
Temperatura ładowania		32–104°F (0–40°C)			
Pojemność znamionowa		368 Wh			
Energia nominalna		10.2 Ah			
System zarządzania baterią		Przegrzanie, zwarcie, przepięcie i przeładowanie			
Silnik	Liczba akumulatorów	2			
	Moc znamionowa	300 W, 0.3 kW			
Prostownik	Moc WY	71 W, 0.071 kW			
	Napięcie WE	100–240 V-			
	Napięcie WY	42 V===			
	Prąd WY	1.7 A			
Funkcje	Światło hamowania	Lampa diodowa tylna			
	Amortyzator	przód			
	Oświetlenie otoczenia	dostosowywany kolor	/	dostosowywany kolor	
	Tryby jazdy	Tryb oszczędzania energii, standardowy i sportowy			
Opona	Opony	Materiał: opony nie pneumatyczne, guma syntetyczna. Rozmiar: 9 cali.			

[1] Typowy zasięg: testowany podczas jazdy z pełną mocą, obciążeniem 75 kg, 25°C, średnio 60% prędkości max., na chodniku.

\* Niektóre czynniki, wpływające na zasięg to: prędkość, liczba uruchomień i zatrzymań urządzenia, temperatura otoczenia itp.



## 13 Atesty

Dla modelu: E22, E25A, E45

Ten produkt posiada certyfikat ANSI / CAN / UL-2272 CSA.  
Bateria jest zgodna z UN/DOT 38.3.

### Zgodność z oświadczeniem Federalnej Komisji Łączności (FCC) dla USA

Urządzenie jest zgodne z częścią 15 przepisów FCC. Jego działanie podlega następującym warunkom: (1) urządzenie nie może powodować szkodliwych zakłóceń oraz (2) urządzenie musi przyjmować wszelkie odbierane zakłócenia, w tym zakłócenia, które mogą powodować niepożądane działanie.

#### UWAGA

To urządzenie zostało przetestowane i uznane za zgodne z ograniczeniami dla urządzeń cyfrowych klasy B, zgodnie z częścią 15 przepisów FCC. Ograniczenia te mają na celu zapewnienie ochrony przed szkodliwymi zakłóceniami w instalacjach domowych. To urządzenie generuje, wykorzystuje i może emitować energię o częstotliwości radiowej, a jeśli nie zostanie zainstalowane i nie będzie używane zgodnie z instrukcjami, może powodować szkodliwe zakłócenia w łączności radiowej. Nie ma pewności, że zakłócenia nie wystąpią w konkretnej instalacji. Jeśli urządzenie powoduje szkodliwe zakłócenia w odbiorze radiowym lub telewizyjnym, co można stwierdzić poprzez jego włączenie i wyłączenie, zachęca się użytkownika do próby usunięcia zakłóceń za pomocą jednego lub kilku z następujących środków:

- zmiana ustawienia lub przeniesienie anteny odbiorczej;
- zwiększenie odległości między urządzeniem a odbiornikiem;
- podłączenie urządzenia do gniazdka w obwodzie innym od tego, do którego podłączony jest odbiornik;
- zwrócenie się o pomoc do sprzedawcy lub doświadczonego technika radio-telewizyjnego.

Urządzenie jest zgodne z wartościami granicznymi FCC narażenia na promieniowanie, określonymi dla niekontrolowanego środowiska. Oświadczenie o zgodności Industry Canada (IC) dla Kanady.

Urządzenie jest zgodne z normami RSS zwolnienia z licencji Industry Canada. Jego działanie podlega następującym warunkom: (1) urządzenie nie może powodować zakłóceń oraz (2) urządzenie musi przyjmować wszelkie zakłócenia, w tym zakłócenia, które mogą powodować niepożądane działanie urządzenia.

CAN ICES-3 (B)/NMB-3(B)

“Urządzenie jest zgodne z normami RSS zwolnienia z licencji Industry Canada. Jego działanie podlega następującym warunkom: (1) urządzenie nie może powodować zakłóceń oraz (2) urządzenie musi przyjmować wszelkie zakłócenia, w tym zakłócenia, które mogą powodować niepożądane działanie urządzenia.”

Ani Segway Inc. ani Ninebot nie ponoszą odpowiedzialności za jakiegokolwiek zmiany lub modyfikacje niezatwierdzone wyrażnie przez Segway Inc. lub Ninebot. Wprowadzenie takich modyfikacji może unieważnić prawo użytkownika do użytkowania urządzenia.

E22	FCC ID: 2ALS8-NT9529
	IC: 22636-NT9529

E25A	FCC ID: 2ALS8-KS0003
	IC: 22636-KS0003

E45	FCC ID: 2ALS8-KS0001
	IC: 22636-KS0001

Dla modelu: E22D, E22E, E25D, E25E, E45D, E45E

Ten produkt posiada certyfikat ANSI / CAN / UL-2272 CSA.  
Bateria jest zgodna z UN/DOT 38.3.

### Oświadczenie o zgodności Unii Europejskiej Ważne informacje, dotyczące ZSEE (WEEE)



Informacje na temat utylizacji i recyklingu ZSEE (WEEE). Prawidłowe usuwanie tego wyrobu. To oznaczenie wskazuje, że tego wyrobu nie należy usuwać wraz z innymi odpadami komunalnymi na terenie całej UE.

Aby zapobiec potencjalnym szkodom dla środowiska lub zdrowia ludzi w wyniku niekontrolowanego usuwania odpadów, należy poddać je recyklingowi w sposób odpowiedzialny dla promowania zrównoważonego ponownego wykorzystania zasobów materiałowych. Aby zwrócić zużyte urządzenie, należy skorzystać z systemów zwrotu i odbioru lub skontaktować się ze sprzedawcą, u którego zakupiono wyrób. Mogą oni zabrać ten produkt do bezpiecznego dla środowiska recyklingu.

### Informacje o recyklingu akumulatorów na terenie Unii Europejskiej



Baterie lub opakowania akumulatorów są oznakowane zgodnie z dyrektywą europejską 2006/66/EC i poprawką 2013/56/EU w sprawie baterii i akumulatorów oraz zużytych baterii i akumulatorów. Dyrektywa określa warunki zwrotu i recyklingu zużytych baterii i akumulatorów w całej Unii Europejskiej. Etykieta ta jest stosowana do różnych baterii, aby wskazać, że bateria nie powinna być wyrzucana, ale raczej odzyskiwana po zakończeniu okresu użytkowania, zgodnie z niniejszą dyrektywą. Zgodnie z dyrektywą europejską 2006/66/EC i poprawką 2013/56/EU, baterie i akumulatory są oznakowane, aby wskazać, że należy je zbierać osobno i poddawać recyklingowi pod koniec okresu ich użytkowania. Etykieta na akumulatorze może również zawierać symbol chemiczny dla danego metalu w akumulatorze (Pb dla ołowiu, Hg dla rtęci i Cd dla kadmu). Użytkownicy baterii i akumulatorów nie mogą wyrzucać baterii i akumulatorów w postaci nieposortowanych odpadów komunalnych, ale korzystać z dostępnych warunków odbioru, dostępnych dla klientów warunków zwrotu, recyklingu i przetwarzania baterii i akumulatorów. Udział klientów jest ważny, aby zminimalizować potencjalny wpływ baterii i akumulatorów na środowisko i zdrowie ludzi z uwagi na potencjalną obecność substancji niebezpiecznych.

Przed umieszczeniem zużytego sprzętu elektrycznego i elektronicznego (ZSEE/WEEE) w strumieniu odpadów lub w obiektach gromadzenia odpadów, użytkownik powinien zabrać ze sobą urządzenia zawierające baterie i/lub akumulatory do oddzielnej zbiórki.

### Dyrektywa w sprawie ograniczenia substancji niebezpiecznych (RoHS)

Ten wyrób firmy Ninebot (Changzhou) Tech Co., Ltd. wraz z dołączonymi częściami (kable, przewody itp.), spełnia wymagania dyrektywy 2011/65/UE w sprawie ograniczenia stosowania niektórych niebezpiecznych substancji w sprzęcie elektrycznym i elektronicznym („RoHS w wersji przekształconej” lub „RoHS 2”).

### Dyrektywa w sprawie urządzeń radiowych



Segway Europe B.V.

Hogehilweg 8, 1101 CC Amsterdam, Holandia.

Niniejszym, Ninebot (Changzhou) Tech Co., Ltd. oświadcza, że urządzenie wymienione w tym rozdziale jest zgodne z zasadniczymi wymaganiami i innymi odpowiednimi postanowieniami dyrektywy 2014/35/UE.

Bluetooth	Pasma częstotliwości	2.4000-2.4835GHz
	Moc emisji RF	100mW

## 14 Znak towarowy i oświadczenie prawne

Ninebot jest znakami towarowymi firmy Ninebot (Tianjin) Tech Co. Ltd.; Segway oraz Rider Design są znakami towarowym firmy Segway Inc.; Android, Google Play są znakami towarowymi firmy Google Inc.; App Store, to znak usługowy Apple Inc. Właściciele zastrzegają sobie prawa do znaków handlowych, o których mowa w niniejszej instrukcji obsługi.

Hulajnoga jest objęta odpowiednimi patentami. Informacje dotyczące patentów można znaleźć na stronie <http://www.segway.com>.

Podjęliśmy próbę dołączenia opisów i instrukcji, dotyczących wszystkich funkcji hulajnogi w momencie drukowania. Jednak dzięki ciągłemu ulepszaniu produktu i zmianach w projekcie, zakupiony przedmiot może nieznacznie różnić się od wersji pokazanej w tym dokumencie. Aby pobrać i zainstalować aplikację, prosimy odwiedzić Apple App Store (iOS) lub Google Play (Android).

Należy pamiętać, że istnieje wiele modeli pojazdów Segway i Ninebot by Segway z różnymi funkcjami także niektóre z wymienionych w tej instrukcji funkcji mogą nie mieć zastosowania w danym urządzeniu. Producent zastrzega sobie prawo do zmiany konstrukcji i funkcjonalności wyrobu oraz jego dokumentacji, bez wcześniejszego powiadomienia.

© 2020 Ninebot (Beijing) Tech Co. Ltd. Wszelkie prawa zastrzeżone.

## 15 Kontakt

W przypadku problemów związanych z jazdą, obsługą i bezpieczeństwem lub błędami/usterkami w pojeździe KickScooter prosimy o kontakt.

### Europe, Middle East and Africa:

#### Segway Europe B.V.

Hogehilweg 8, 1101CC, Amsterdam, Holandia

Website: [www.segway.com](http://www.segway.com)

Przed kontaktem z Segway przygotuj numer seryjny swojego pojazdu.

Numer seryjny pojazdu znajduje się na spodniej stronie pojazdu lub w aplikacji, w opcjach „Więcej ustawień -> Informacje podstawowe” (More Settings -> Basic Information).