

Y

A

B

C

D

E

F


G

H

I

J

技术要求  
 1.黑白印刷;  
 2.折叠后尺寸为: 210x145mm;  
 3.所有尺寸公差均为±0.5mm。

						105g双铜纸 (黑白印刷 76P)			中山市芬凯 电器有限公司			
											GLEM 烟机说明书-V1 GGI-UA0752J 银灰(230V-50Hz)	
标记	处数	分区	更改文件号	签字	日期				阶段标记	重量	比例	YA0752D-0000-007
设计				审核				共 张 第 页	1.05.06.3166			
校对				批准								
工艺												
标准化				日期								
投影 												

 **GLEM**

Io Cucino  
con

 **GLEM**

- Thanks very much for choosing our product, please carefully read the following important information regarding installation safety and maintenance. And Keep this information booklet accessible for further consultations.

## ***INSTRUCTION MANUAL***

### ***BUILT-IN HOOD***

Dear Customer,

If you follow the recommendations contained in this Instruction Manual, our appliance will give you constant high performance and will remain efficient for many years to come.

## **CONTENTS**

---

### **RECOMMENDATIONS AND SUGGESTIONS**

### **CHARACTERISTICS**

### **INSTALLATION & USE**

### **MAINTENANCE**

### **TROUBLE SHOOTING**

### **WARRANTY CARD**

## **RECOMMENDATIONS AND SUGGESTIONS**

---

### **INSTALLATION**

\* The manufacturer will not be held liable for any damages resulting from incorrect or improper installation.

\* Please read this instruction manual before installing and using this rangehood. Please keep this instruction manual in a safe place for future reference.

\* Only a qualified and trained service technician can undertake the work of installation and servicing.

\* Check that the main voltage corresponds to the one indicated on the rating plate fixed inside the hood.

\* Do not connect the hood to exhaust ducts carrying combustion fumes (boilers, fireplaces, etc.)

\* If the hood is used in conjunction with non-electrical appliances (e. g. gas burning appliances), a sufficient degree of ventilation must be guaranteed in the room in order to prevent the backflow of exhaust gas. The kitchen must have an opening directly with the open air in order to guarantee the entry of clean air.

\* The minimum distance is 750mm from the cooker hood to a gas hob, and

is 650mm to an electric hob. If the installation instructions for gas hobs specify a greater distance, this must be taken into account.

**NOTICE:** Two or more people are required to install or move this appliance. Failure to do so can cause physical injuries.

### **USE**

- \* The rangehood has been designed only for domestic use to eliminate kitchen fumes.
- \* Never use the hood for purposes other than what it has been designed for.
- \* Never leave high naked flames under the hood when it is in operation.
- \* Adjust the flame intensity to direct it onto the bottom of the pan only; making sure that it does not engulf the pan sides.
- \* Deep fat fryer must be continuously monitored during use: overheated oil can burst into flame.
- \* The hood should not be used by children or person not instructed in its correct use.

### **MAINTENANCE**

- \* Proper maintenance of the rangehood will assure proper performance of the unit.
- \* Disconnect the hood from the main supply before carrying out any maintenance work.
- \* Clean and/or replace aluminum grease filters and activated charcoal filters after specified period of time.
- \* Clean the hood using a damp cloth and a neutral liquid detergent.
- \* **DISPOSAL:** Do not dispose this product as unsorted municipal waste. Collection of such waste separately for special treatment is necessary.

### **WARNING!!**

In certain circumstances electrical appliances may be a danger hazard.

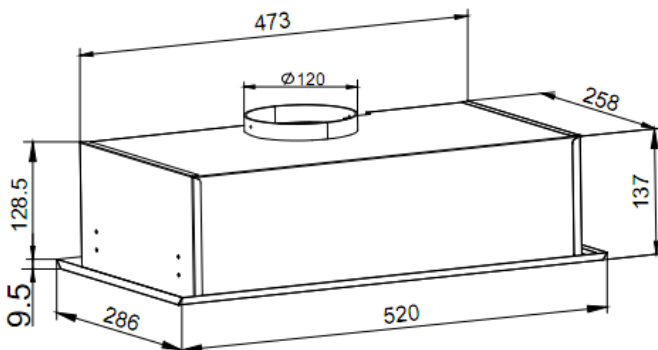
- \* Do not check the status of the filters while the rangehood is operating.
- \* Do not touch the light bulbs after appliance use.
- \* Do not disconnect the appliance with wet hands.
- \* Avoid free flame, as it is damaging for the filters and a fire hazard.

- \* Constantly check food frying. Overheated oil may become a fire hazard.
- \* Disconnect the electrical plug prior to any maintenance.
- \* Children don't recognize the risks of electrical appliances. Therefore use or keep the appliance only under supervision of adults and out of the reach from children.
- \* Don't use this product outdoors.
- \* This appliance is not intended for use by persons (including children) with reduced physical, sensory or mental capabilities, or lack of experience and knowledge, unless they have been given supervision or instruction, concerning use of the appliance by a person responsible for their safety. Children should be supervised to ensure that they do not play with the appliance.
- \* There should be adequate ventilation of the room where the range hood is used at the same time as appliances burning gas or other fuels.
- \* There is a fire risk if cleaning is not carried out in accordance with instructions.
- \* Do not flambé under the rangehood.
- \* The exhaust air must not be discharged into a flue which is used for exhausting fumes from appliances burning gas or other fuels.

## **CHARACTERISTICS**

---

### **DIMENSIONS**



# INSTALLATION & USE

Note 1 : On stainless steel hoods, carefully remove the plastic protective film from all exterior surfaces of the hood prior to final installation.

Note 2: At least two people will be required to mount the hood.

## **DESCRIPTION / CONNECTIONS**

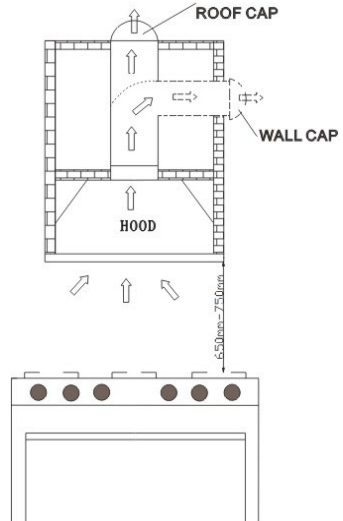
The hood may be installed in the Ducting or the Recalculating version.

### **Ducting version**

The hood draws cooking fumes saturated with fumes and odour through the grease filters and expels it to the outside through an outlet pipe.

**Caution:** To reduce the risk of fire, use of metal ductwork is preferred.

Do not use flammable material to convey exhaust air.



1. Decide where the ductwork will run between the hood and the outside.
2. A straight, short duct run will allow the hood to perform most efficiently.
3. Long duct runs, elbows, and transitions will reduce the performance of the hood. Use as few of them as possible. Larger ducting may be required for best performance with longer duct runs.
4. It is recommended that  $\phi 120\text{mm}$  round duct is to be used.
5. The air must not be discharged into a flue that is used for exhausting fumes from appliances burning gas or other fuels. Regulations concerning the discharge of air have to be followed. Check with the local authority and building code for exhaust ducting requirements.
6. Install a roof/wall cap. Connect round ductwork to cap and work back towards hood location.

### **Recirculation version**

The hood draws cooking fumes saturated with fumes and odor through the grease filters and charcoal filters and returns clean air into the room. For constant efficiency, the charcoal filters must be replaced periodically.

**Decide from the outset on the type of installation (recirculation or ducting). For greater efficiency, we recommend you install the hood in the ducting version.**

### **Electrical Connection**

\* Electrical wiring must be done by a qualified person(s) in accordance with all applicable codes and standards. **Turn off electrical power at service entrance before wiring.**

\* If the supply cord is damaged, it must be replaced by the manufacturer, its service agent or similarly qualified persons in order to avoid a hazard.

\* Do not use the plug and an extension cord other than the ones initially supplied with the hood.

### **INSTALLATION**

Before beginning installation, to better handle the hood, we advise removing the face plate.

The range hood is designed to operated with  $\phi$ 120mm exhaust Ducting.

### **DUCTING & RECIRCULATIING VERSION INSTALLATION:**

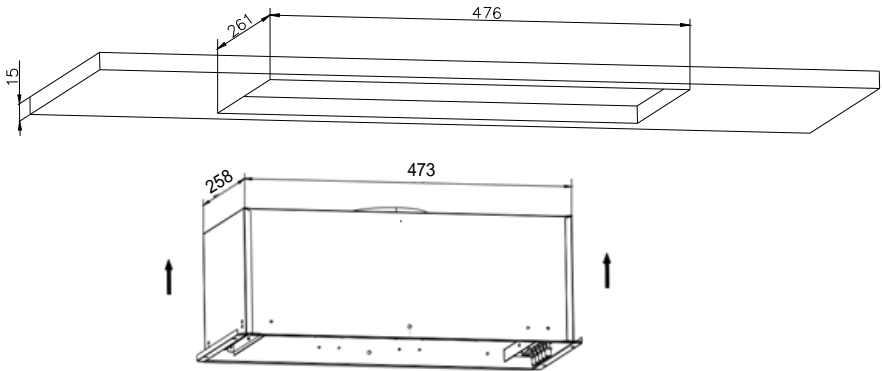
Before fixing, the outlet exhaust duct for air evacuation to the outside must be installed. Use an outlet exhaust duct with: - minimum indispensable length; -Minimum possible bends (maximum angle of bend: 90°); -certified material (according to local, building and fire regulations); and as smooth as possible inside. It is also advisable to avoid any drastic changes in duct cross-section (recommended diameter: 120mm).

For recirculation version, please consider some outlets for clean air returns into the room.

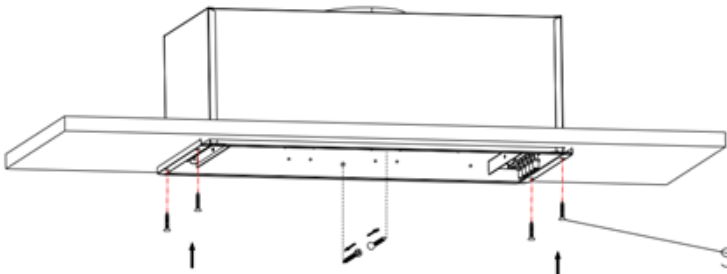


## **Fitting under wall unit**

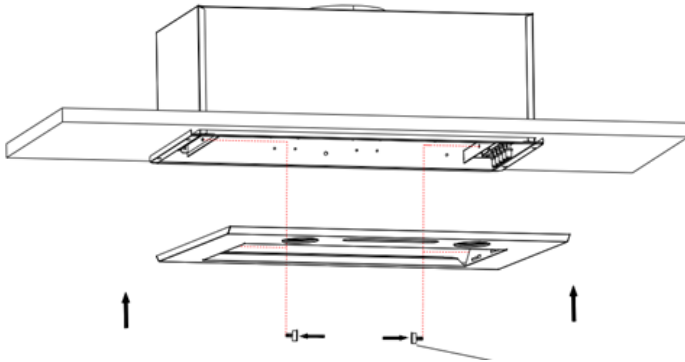
1. Before fixing the hood to the wall unit, drill a hole of 135mm diameter for  $\phi 120$ mm exhaust Ducting in the wall unit.
2. In any case, check the position of the power outlet and consider where the power cable will run, since a hole might have to be made in the wall unit to accommodate it.
3. Unscrew the 2 visible screws located on hood of both inner size of filter frame and remove the face plate. The 6 mounting holes around the unit are then accessible.



4. Lift the range hood and fit through the opening of the cabinet. Secure unit by using 6 long mounting screws.



5. Fit the face plate on the hood by screwing 2 screws.



6. Rotate the spot LED lights clockwise into the lamp hole.

7. Make the electrical connection.

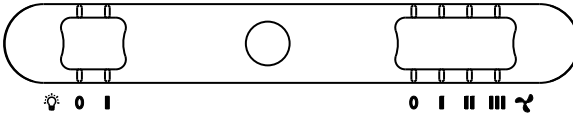
**Installation is now complete.**

**Notice:**

- Exhaust air must not be discharged into a flue which is used for exhausting fumes from appliance burning gas or other fuels.
- If the instructions for installation for the gas hob specify a greater distance than 750mm, this has to be taken into account.
- The regulations concerning the discharge of exhaust air have to be followed. Check with the local authority for building codes for exhaust ducting requirements

# **CONTROLS**

## **OPERATION OF CONTROLS**



This hood may be operated using the slide switch on the face plate.

The light switch turns the lamps on and off.

The fan switch turns the fan on to three speed settings:

0 - OFF

1 - LOW SPEED

2 - MEDIUM SPEED

3 - HIGH SPEED

## **MAINTENANCE**

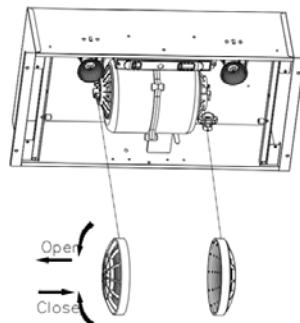
### **GREASE FILTER**

\* The grease filters should be cleaned frequently (every two months of operation, or more frequently for heavy use). Use a warm detergent solution.

\* Grease filters are washable.

### **CHARCOAL FILTER**

This filter is not washable, cannot be regenerated, and should be replaced approximately every 3 months of operation, or more frequently in the case of heavy usage.



1. To install the charcoal filter, lock it until the stop click is heard.
2. Install the face plate after charcoal filter is installed.
3. To remove the charcoal filters, remove the charcoal filter by turning anti-clockwise.

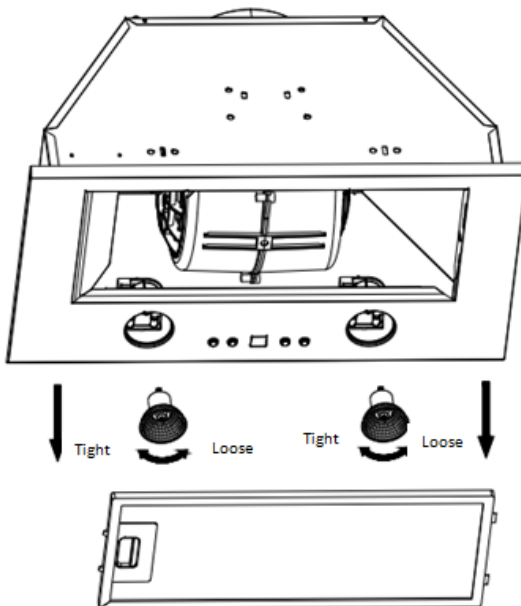
## **LAMPS**

This range hood may require two GU10 LED SPOT (AC 230V, 4W Max each)

**WARNING:** Always switch off the electrical supply before carrying out any operation on the appliance.

To change LED spot:

1. Remove the aluminum filter.
2. Loosen the LED spot anti-clockwise, and replace with LED of same kind.



**CAUTION:**

1. THE SURFACE, THE LIGHT COVER MAY BE HOT. TAKE CARE WHEN REPLACING LED LAMPS.
2. THE LED LAMPS MAY BE HOT. TAKE CARE WHEN REPLACING LED LAMPS.

**We recommend only using lamps of the same specification as the ones being replaced.**

**HOOD CLEANING**

Stainless steel is one of the easiest materials to keep clean. Occasional care will help preserve its fine appearance.

Cleaning tips:

- \* Hot water with soap or detergent is all that is usually needed.
- \* Follow all cleaning by rinsing with clear water. Wipe dry with a clean, soft cloth to avoid water marks.
- \* For discolorations or deposits that persist, use a non-scratching household cleanser or stainless steel polishing powder with a little water and a soft cloth.
- \* For stubborn cases use a plastic scouring pad or soft bristle brush together with cleanser and water. Rub lightly in direction of polishing lines or "grain" of the stainless finish. Avoid using too much pressure that may damage the surface.
- \* Do not allow deposits to remain for long periods of time.
- \* Do not use ordinary steel wool or steel brushes. Small bits of steel may adhere to the surface causing rust.
- \* Do not allow salt solutions, disinfectants, bleaches, or cleaning compounds to remain in contact with stainless steel for extended periods. Many of these compounds contain chemicals that may be harmful. Rinse with water after exposure and wipe dry with a clean cloth.
- \* Painted surfaces should be cleaned with warm water and mild detergent only.

## TROUBLE SHOOTING

The range hood may not work or work improperly. Before calling after-sales service, switch off the appliance, unplug the power supply and refer to this guide to determine the problem.

If malfunction persist, contact our After Sales Service and specify the nature of the problem, appliance model no and serial number (on the rating plate inside the hood)

<b>Status</b>	<b>Reasons</b>	<b>Solutions</b>
No response of the lamps and the motor	<ol style="list-style-type: none"> <li>1. The plug is off from the power socket.</li> <li>2. The power cord is damaged.</li> </ol>	<ol style="list-style-type: none"> <li>1. Ensure that the plug is put into the power socket properly.</li> <li>2. Replace the power cord if the power cord is damaged.</li> </ol>
	The fuse on the PCB board is damaged.	Replace the fuse on the PCB board.
	The switch is damaged.	Repair or replace the switch.
The lamp doesn't work	The lamp is damaged.	Replace the damaged lamp.
The hood body gives out strong vibrations and a loud noise	<ol style="list-style-type: none"> <li>1. The hood has not been installed properly according to the installation process described in the instruction manual.</li> <li>2. Check if the joint connection of each part is damaged.</li> </ol>	Ensure the hood has been installed properly according to the instruction manual.

The air exhaust performance is bad	Check if the distance between the hood and the cooker top is too big.	The ideal distance is 65-75cm.
	Ensure there is adequate ventilation.	Open the door and windows properly. Improve the environment.
	The duct is damaged.  Grease Filters or charcoal filter clogged  Exhaust air outlet clogged	Repair or replace the damaged duct.  Replace or clean the filters  Clear the air exhaust outlet

- Ringraziandola per aver scelto il nostro prodotto, la invitiamo a leggere attentamente le seguenti informazioni attinenti la sicurezza nel corso dell'installazione e la manutenzione. Tenere questo manuale a portata di mano per futura consultazione.

## ***MANUALE DI ISTRUZIONI***

### ***CAPPA DA INCASSO***



Gentile cliente,

seguendo le raccomandazioni contenute in questo Manuale di Istruzioni, il nostro dispositivo continuerà a fornire prestazioni elevate e manterrà la propria efficienza per molti anni a venire.

## **INDICE**

---

### **RACCOMANDAZIONI E SUGGERIMENTI**

#### **CARATTERISTICHE**

#### **INSTALLAZIONE E USO**

#### **MANUTENZIONE**

#### **RISOLUZIONE DEI PROBLEMI**

#### **CERTIFICATO DI GARANZIA**

### **RACCOMANDAZIONI E SUGGERIMENTI**

---

#### **INSTALLAZIONE**

\* Il produttore non verrà ritenuto responsabile per danni derivanti da un'installazione scorretta o impropria.

\* Leggere questo manuale di istruzioni prima di procedere all'installazione e all'utilizzo della cappa da cucina. Conservare il manuale in un luogo sicuro per poterlo consultare in futuro.

\* L'installazione e manutenzione della cappa può essere eseguita solo da un tecnico qualificato e opportunamente preparato.

\* Verificare che la tensione della rete elettrica corrisponda a quella indicata sulla targhetta riportata all'interno della cappa.

\* Non collegare la cappa a condotti di scarico che trasportano fumi di combustione (boiler, camini ecc).

\* Se la cappa viene utilizzata con strumentazioni non elettriche (ad es. apparecchi a combustione a gas), è necessario garantire un livello sufficiente di ventilazione al fine di evitare il riflusso dei gas di scarico. La cucina deve essere dotata di una apertura diretta con l'aria esterna per assicurare l'entrata di aria pulita.

\* La distanza minima della cappa da un piano cottura a gas è di 750mm e di

650mm da un piano cottura elettrico. Nel caso in cui le istruzioni per l'installazione del piano cottura a gas indichino una distanza maggiore, sarà necessario tenerlo in considerazione.

**NOTA:** l'installazione o lo spostamento di questa apparecchiatura richiedono due o più persone. In caso contrario, potrebbero derivarne lesioni fisiche.

## **UTILIZZO**

- \* Questa cappa è stata progettata esclusivamente per uso domestico con l'obiettivo di eliminare i fumi di scarico provenienti dalla cucina.
- \* Non utilizzare mai la cappa per fini diversi da quelli per cui è stata progettata.
- \* Non lasciare mai fiamme libere elevate sotto la cappa quando è in uso.
- \* Regolare l'intensità della fiamma in modo che sia diretta solo sul fondo della pentola; assicurarsi che essa non fuoriesca dai lati della pentola.
- \* Le friggitorici devono essere costantemente monitorate durante l'uso: l'olio surriscaldato può incendiarsi.
- \* La cappa non deve essere utilizzata da bambini o persone che non abbiano ricevuto istruzioni sul suo corretto uso.

## **MANUTENZIONE**

- \* Effettuando una corretta manutenzione della cappa da cucina, l'unità garantisce prestazioni adeguate.
- \* Disconnettere la cappa dall'alimentazione prima di svolgere qualsiasi intervento di manutenzione.
- \* Pulire e/o sostituire i filtri antigrasso in alluminio e i filtri a carbone attivo dopo un determinato periodo di tempo.
- \* Pulire la cappa con un panno umido e con un detergente liquido neutro.
- \* **SMALTIMENTO:** non smaltire il prodotto come rifiuto urbano generico. È necessario raccoglierlo separatamente e sottoporlo a un trattamento speciale.

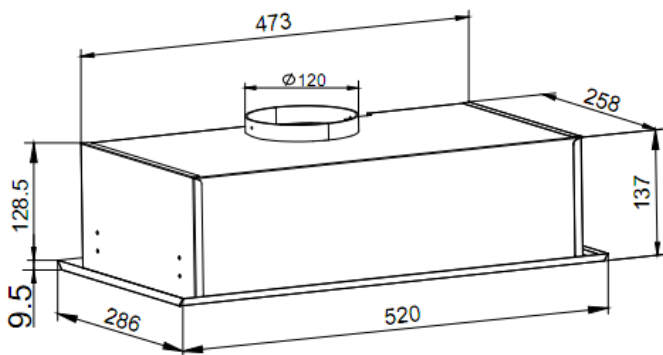
## **ATTENZIONE!!**

In alcune circostanze, le apparecchiature elettriche possono costituire un pericolo.

- \* Non controllare lo stato dei filtri mentre la cappa da cucina è in uso.
- \* Non toccare le lampadine successivamente all'utilizzo dell'apparecchiatura.
- \* Non disconnettere l'apparecchiatura con le mani bagnate.
- \* Evitare l'accensione di fiamme libere poiché possono danneggiare i filtri e costituire un rischio di incendio.
- \* Mantenere sotto costante controllo la frittura di cibo. L'olio surriscaldato può costituire un rischio di incendio.
- \* Staccare la spina dalla corrente prima di qualsiasi intervento di manutenzione.
- \* I bambini non sono consapevoli dei rischi connessi alle apparecchiature elettriche. Utilizzare pertanto il prodotto esclusivamente sotto la supervisione di un adulto e tenerlo al di fuori della portata dei bambini.
- \* Non utilizzare il prodotto all'aria aperta.
- \* L'apparecchiatura non è destinata a persone (compresi i bambini) con ridotte capacità fisiche, sensoriali o mentali, o prive di esperienza e conoscenze, salvo il caso in cui siano state supervisionate o istruite riguardo all'uso dell'apparecchiatura da una persona responsabile della loro sicurezza. I bambini devono essere supervisionati per assicurarsi che non giochino con l'apparecchiatura.
- \* Quando la cappa da cucina viene utilizzata dovrebbe essere garantita una adeguata ventilazione del locale allo stesso modo in cui viene richiesta per le apparecchiature brucianti gas o altri combustibili.
- \* Se la pulizia non viene effettuata secondo le istruzioni c'è rischio di incendio.
- \* Non produrre fiamme sotto la cappa.
- \* L'aria di scarico non deve essere scaricata in una canna fumaria utilizzata per i gas di scarico degli apparecchi che bruciano gas o altri combustibili.

# CARATTERISTICHE

## DIMENSIONI



## INSTALLAZIONE & UTILIZZO

Nota 1 : sulle cappe in acciaio inossidabile, rimuovere con cura la pellicola protettiva di plastica da tutte le superfici esterne della cappa stessa prima dell'installazione finale.

Nota 2: per il montaggio della cappa occorrono almeno due persone.

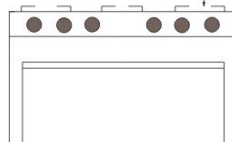
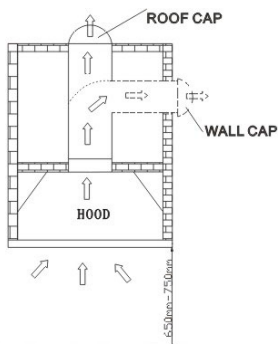
## DESCRIZIONE / CONNESSIONI

La cappa può essere installata nella versione Canalizzabile o a Ricircolo.

### Versione di scarico

La cappa aspira i vapori di cottura saturi di fumi e odori attraverso i filtri antigrasso e li espelle all'esterno attraverso un tubo in uscita.

**Attenzione** per ridurre il rischio di incendio, è preferibile l'uso di condutture metalliche. Non utilizzare materiali infiammabili per convogliare l'aria di scarico



1. Decidere dove posizionare il tubo di scarico per collegare la cappa all'esterno.
2. Un condotto dritto e breve consentirà alla cappa di funzionare al massimo della propria efficienza.
3. I condotti lunghi con curve e raccordi di transizione riducono le prestazioni ottimali della cappa. Utilizzarne il meno possibile. Se si utilizzano condotti lunghi, potrebbero essere necessari tubi di diametro maggiore.
4. Si consiglia di utilizzare un condotto rotondo di  $\phi 120\text{mm}$ .
5. L'aria non deve essere scaricata in una canna fumaria utilizzata per fumi di scarico emessi da apparecchi di cottura a gas o altri combustibili. È necessario attenersi alle norme relative alla scarico dell'aria. Per le condotte di scarico verificare i requisiti previsti dalle autorità locali e dal codice di costruzione.
6. Installare un rivestimento a soffitto/parete. Collegare il tubo circolare al rivestimento e procedere a ritroso verso la cappa.

### **Versione di ricircolo**

La cappa aspira i vapori di cottura saturi di fumi e odori attraverso i filtri antigrasso e quelli a carbone e immette nuovamente aria pulita nel locale.

Per mantenere un'efficienza costante, è necessario sostituire periodicamente i filtri a carbone.

**Decidere sin dall'inizio il tipo di installazione desiderata (ricircolo o scarico). Per una maggiore efficienza, si consiglia di installare la cappa nella versione di scarico.**

### **Collegamento elettrico**

\* I collegamenti elettrici devono essere effettuati da una persona(e) qualificata(e) in conformità con i codici e gli standard applicabili. **Staccare la corrente elettrica dalla centralina prima di procedere al cablaggio.**

\* Se il cavo dell'alimentazione è danneggiato, deve essere sostituito dal

produttore, da un addetto o da professionisti con lo stesso livello di qualificazione in modo da evitare pericoli.

\* Non utilizzare altre prese o cavi di prolunga se non quelli forniti in dotazione con la cappa.

### **INSTALLAZIONE**

Prima di procedere all'installazione, si consiglia di rimuovere la piastra frontale per poter meglio maneggiare la cappa.

La cappa è progettata per funzionare con un sistema di scarico di  $\phi 120\text{mm}$ .

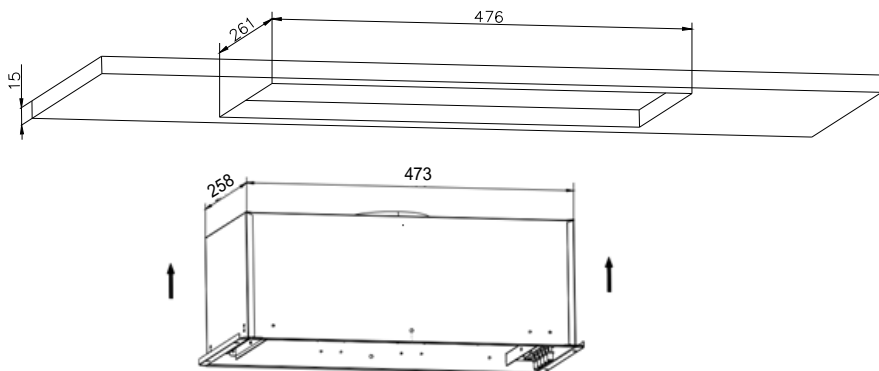
### **INSTALLAZIONE VERSIONE A RICIRCOLO & CANALIZZAZIONE:**

Prima del fissaggio, è necessario installare il tubo di scarico in uscita per l'evacuazione dell'aria all'esterno. Utilizzare un tubo di scarico in uscita con:  
-lunghezza minima possibile; -minor numero possibile di curve (angolo di piegatura massimo:  $90^\circ$ ); -materiale certificato (in conformità a normative locali, edili e antincendio); e con pareti interne il più lisce possibili. È inoltre consigliabile di evitare modifiche drastiche alla sezione trasversale del condotto (diametro raccomandato: 120mm).

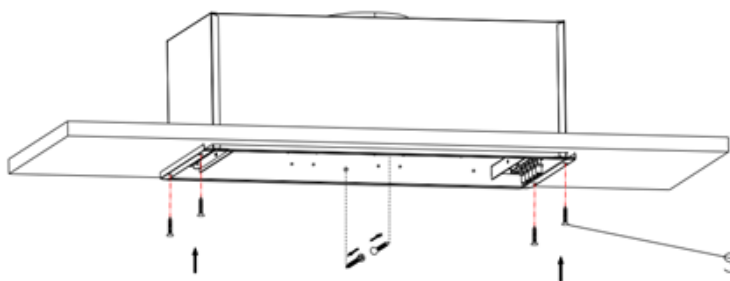
Per la versione a ricircolo, si prega di prendere in considerazione alcune uscite per il ritorno dell'aria pulita nella stanza.

### **Montaggio sotto pensile**

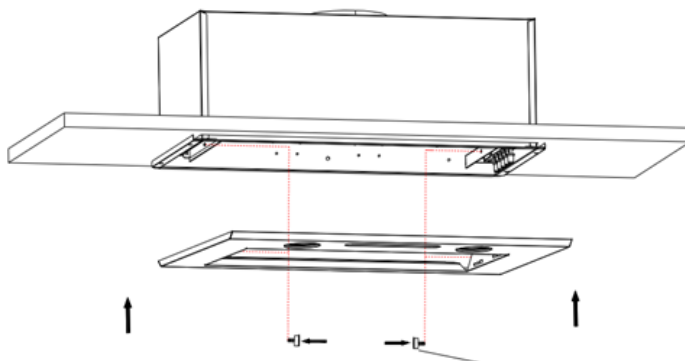
1. Prima di fissare la cappa al pensile, praticare un foro di 135 mm di diametro per la canalizzazione di scarico di  $\phi 120\text{mm}$ .
2. In ogni caso, controllare la posizione della presa di corrente e considerare dove il cavo di alimentazione verrà applicato, poiché potrebbe essere necessario creare un foro nel pensile per adattarlo.
3. Svitare le 2 viti visibili situate sulla cappa lungo entrambe le parti interne del telaio del filtro e rimuovere la piastra anteriore. I 6 fori di montaggio intorno all'unità sono quindi accessibili.



4. Sollevare la cappa aspirante e inserirla attraverso l'apertura del mobile. Fissare l'unità utilizzando 6 viti di montaggio lunghe.



5. Montare il frontalino sulla cappa avvitandolo con 2 viti.



6. Ruotare le lampade a luce LED in senso orario nel foro della lampada.
7. Effettuare il collegamento elettrico.

**L'installazione è ora completa.**

**Avvertenza:**

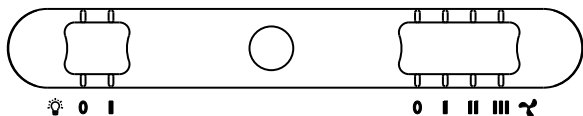
-L'aria di scarico non deve essere convogliata in una canna fumaria già utilizzata per fumi di scarico emessi da altri apparecchi che brucino gas o altri combustibili;

- Nel caso in cui le istruzioni per l'installazione del piano cottura a gas indichino una distanza maggiore di 750mm, sarà necessario tenerlo in considerazione;

- Sarà necessario attenersi alle norme relative alla scarico dell'aria. Verificare con l'autorità locale per i codici di costruzione, i requisiti delle condotte di scarico.

**COMANDI**

**FUNZIONAMENTO DEI COMANDI**



Questa cappa può essere azionata utilizzando l'interruttore a scorrimento sul frontalino.

L'interruttore delle luci accende e spegne le luci.

L'interruttore della ventola regola la ventola in base a tre impostazioni di velocità:

0 - OFF

1 - VELOCITÀ BASSA

2 - VELOCITÀ MEDIA

3 - VELOCITÀ ALTA



## MANUTENZIONE

### FILTRO ANTIGRASSO

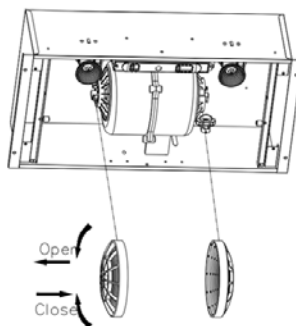
\* I filtri antigrasso devono essere puliti di frequente (dopo ogni due mesi di funzionamento o con maggiore frequenza se usati intensivamente). Impiegare una soluzione detergente calda.

\* I filtri antigrasso sono lavabili.

### FILTRO A CARBONE

Questo filtro non è lavabile, non può essere rigenerato e dovrebbe essere sostituito circa ogni 3 mesi di funzionamento o più frequentemente in caso di uso intenso.

1. Per installare il filtro carbone, bloccarlo finché non si sente il clic di arresto.
2. Installare il frontalino dopo aver installato il filtro al carbone.
3. Per rimuovere i filtri a carbone attivo, rimuovere il filtro medesimo ruotandolo in senso antiorario.



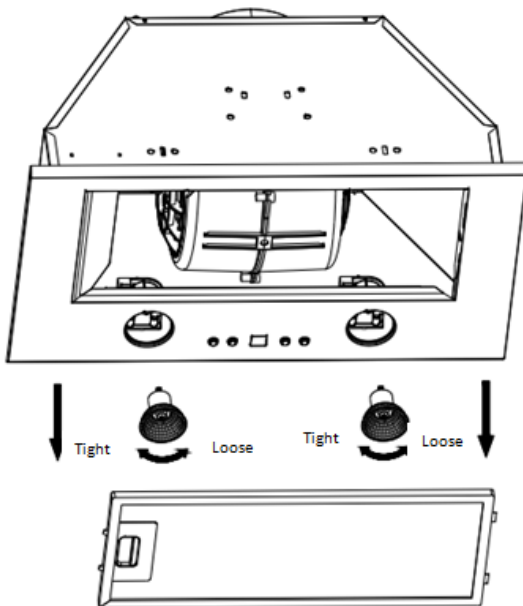
### LAMPADE

La cappa potrebbe richiedere due lampade LED GU10 SPOT (AC 230V, 4W Max ciascuna)

**AVVERTENZA:** spegnere sempre l'alimentazione elettrica prima di eseguire qualsiasi operazione sull'apparecchio.

Per cambiare le lampadine LED:

1. Rimuovere il filtro di alluminio.
2. Allentare la lampada LED in senso antiorario e sostituirla con lampada LED dello stesso tipo.



**ATTENZIONE:**

1. LA SUPERFICIE DELL'INVOLUCRO DELLA LUCE POTREBBE ESSERE CALDA. FARE ATTENZIONE QUANDO SI SOSTITUISCONO LE LAMPADINE LED.
2. LE LAMPADINE LED POTREBBERO ESSERE CALDE. FARE ATTENZIONE DURANTE LA LORO SOSTITUZIONE.

**Si consiglia di utilizzare solo lampadine con le stesse caratteristiche di quelle da sostituire.**

## **PULIZIA DELLA CAPP**

L'acciaio inossidabile è uno dei materiali più facili da pulire. La frequente cura contribuirà a preservarne un fine aspetto.

Consigli per la pulizia:

- \* Acqua calda con sapone o detersivo è tutto ciò che solitamente necessita.
- \* Eseguire tutte le operazioni di pulizia risciacquando con acqua pulita. Asciugare con un panno morbido e pulito per evitare segni d'acqua.
- \* Per macchie o depositi persistenti, utilizzare un detergente antigraffio per la casa o una polvere per lucidatura dell'acciaio inossidabile con un po' d'acqua e un panno morbido.
- \* Per i casi più ostinati utilizzare una paglietta di plastica o uno spazzolino a setole morbide insieme con acqua. Strofinare leggermente in direzione delle linee di lucidatura o "granulosità" della finitura inossidabile. Evitare di usare troppa pressione che potrebbe danneggiare la superficie.
- \* Non lasciare che i depositi rimangano per lunghi periodi di tempo.
- \* Non usare normale lana d'acciaio o spazzole d'acciaio. Piccoli pezzi di acciaio possono aderire alla superficie causando ruggine.
- \* Evitare che soluzioni saline, disinfettanti, candeggine o detersivi rimangano a contatto con l'acciaio inossidabile per periodi prolungati. Molti di questi composti contengono sostanze chimiche che possono essere dannose. Risciacquare con acqua dopo l'esposizione e asciugare con un panno pulito.
- \* Le superfici verniciate devono essere pulite solo con acqua tiepida e detergente delicato.

## **RISOLUZIONE DEI PROBLEMI**

---

La cappa potrebbe non funzionare o funzionare in modo improprio. Prima di chiamare l'assistenza post-vendita, spegnere l'apparecchio, scollegare l'alimentazione e fare riferimento a questa guida per determinare il problema.

Se il malfunzionamento persiste, contattare il nostro Servizio Post-Vendita e specificare la natura del problema, il modello dell'apparecchio e il numero di serie (sulla targhetta dei dati all'interno della cappa).

<b>Tipologia</b>	<b>Motivi</b>	<b>Soluzione</b>
Nessuna reazione delle lampade e del motore	1. La spina è staccata dalla presa di corrente.	1. Assicurarsi che la spina sia inserita correttamente nella presa di corrente.
	2. Il cavo di alimentazione è danneggiato.	2. Sostituire il cavo di alimentazione se è danneggiato.
	Il fusibile sulla scheda PCB è danneggiato.	Sostituire il fusibile sulla scheda PCB.
	L'interruttore è danneggiato	Riparare o sostituire l'interruttore.
La lampada non funziona	La lampada è danneggiata.	Sostituire la lampada danneggiata.
Il corpo della cappa emette forti vibrazioni e un forte rumore	1. La cappa non è stata installata correttamente secondo il processo di installazione descritto nel manuale di istruzioni. 2. Controllare se le giunzioni di ogni singola parte siano danneggiate.	Assicurarsi che la cappa sia stata installata correttamente secondo il manuale di istruzioni.

Cattive prestazioni di scarico dell'aria	Controllare se la distanza tra la cappa e il piano di cottura sia troppo elevata.	La distanza ideale è 65-75 cm.
	Assicurarsi che ci sia adeguata ventilazione.	Aprire correttamente la porta e le finestre. Migliora l'ambiente.
	Il condotto è danneggiato.	Riparare o sostituire il condotto danneggiato.
	Filtri grassi o filtro a carbone intasati	Sostituisci o pulisci i filtri
	Uscita dell'aria di scarico intasata	Pulire l'uscita di scarico dell'aria

# CERTIFICATO DI GARANZIA CONVENZIONALE

Il presente Certificato di Garanzia Convenzionale annulla e sostituisce eventuali altri certificati garanzia

**Il testo di questo Certificato di Garanzia contiene le condizioni della Garanzia Convenzionale riconosciuta al Consumatore; dette condizioni non pregiudicano e sono rispettose dei diritti riconosciuti al Consumatore dal Decreto Legislativo 2 febbraio 2002, n.24 emesso in attuazione della Direttiva 1999/44/CE del Parlamento Europeo, nonché dal Decreto Legislativo 6 settembre 2005 n.206**

## **Durata e condizioni di validità**

Per tutti i difetti di conformità esistenti al momento della consegna dell'apparecchio ed **imputabili al produttore**, il marchio garantisce i suoi prodotti, alle condizioni e nei termini di cui alla presente garanzia ed in base alle previsioni normative sopra richiamate, per un periodo di 24 mesi decorrenti dalla data di consegna del bene risultante e certificata da un documento fiscale legalmente riconosciuto.

**Il consumatore può denunciare il difetto di conformità del prodotto che si manifesta entro il termine di 2 (due) anni dalla consegna e decade dalla garanzia se non denuncia il difetto entro 2 (due) mesi dalla sua scoperta.**

Perché la garanzia sia operativa è necessario che questo certificato di garanzia sia conservato unitamente al documento di consegna fiscalmente valido (documento di trasporto, fattura, scontrino fiscale, altro) che riporti il nominativo del venditore, la data di consegna, gli estremi identificativi del prodotto ed il prezzo di cessione; in caso di intervento, entrambi i documenti dovranno essere mostrati al Centro Assistenza Tecnica Autorizzato.

Il presente Certificato di Garanzia Convenzionale è valido solo per prodotti acquistati e installati nel territorio Italiano, nella Repubblica di San Marino e nella Città del Vaticano.

Gli acquirenti dei nostri prodotti residenti in altre Nazioni, per la garanzia e l'assistenza, dovranno rivolgersi alla nostra filiale e/o distributore del luogo che presterà la garanzia secondo le condizioni in vigore nelle singole nazioni.

## **Affinché la presente Garanzia Convenzionale abbia piena validità è necessario che:**

- l'apparecchiatura sia utilizzata per scopi domestici e comunque non nell'ambito di attività imprenditoriali o professionali;
- tutte le operazioni di installazione e collegamento dell'apparecchiatura alle reti di distribuzione dell'energia elettrica e del gas siano effettuate da tecnico specializzato e seguendo scrupolosamente le indicazioni riportate nel presente libretto di installazione, uso e manutenzione inserito all'interno dell'apparecchiatura.
- tutte le operazioni di utilizzo dell'elettrodomestico, così come la manutenzione periodica, avvengano secondo le prescrizioni e indicazioni riportate nel presente libretto installazione, uso e manutenzione.
- qualunque intervento di riparazione sia eseguito da personale dei Centri di Assistenza Tecnica Autorizzati dal Produttore e che i ricambi utilizzati siano esclusivamente quelli originali; la stessa cosa vale per gli accessori ed i materiali di consumo, il cui utilizzo può infatti incidere sulle prestazioni del prodotto.

La difformità non è imputabile al produttore qualora venisse accertato dal Centro di Assistenza Tecnica Autorizzato che a causarla sono intervenute condizioni esterne al funzionamento del prodotto quali, a puro titolo esemplificativo e non esaustivo:

- portata insufficiente degli impianti elettrici e gas.
- non conformità degli impianti elettrici e gas.
- errata installazione operata da tecnici non specializzati.
- errata manutenzione operata da tecnici non autorizzati dal produttore.
- negligenza, incapacità d'uso e cattiva manutenzione da parte del consumatore rispetto a quanto riportato e raccomandato nel libretto di istruzioni del prodotto, che costituisce parte integrante del contratto di vendita.

Lo stesso vale per i danni causati all'apparecchiatura da cause di forza maggiore (fulmini, inondazioni, incendi, terremoti, sommosse, etc.) o da atti di vandalismo, ovvero da circostanze che non è possibile ricondurre a vizi di fabbricazione.

Non sono, inoltre, coperti da garanzia: gli interventi effettuati per ripristinare problemi causati da incuria, rottura accidentale, manomissione e/o danneggiamento nel trasporto quando effettuato a cura del consumatore o a cura di terzi, interventi eseguiti da personale non autorizzato, interventi per dimostrazioni di funzionamento, controlli e manutenzioni periodiche e tutto ciò che all'atto della vendita era stato portato a conoscenza del consumatore e/o che quest'ultimo non poteva ragionevolmente ignorare.

## Oggetto della Garanzia

Qualora nel periodo di durata della garanzia sia accertato e riconosciuto un difetto di conformità del bene imputabile ad azione od omissione del produttore, il consumatore potrà richiedere di riparare il prodotto o di sostituirlo senza spese in entrambi i casi.

Qualora il rimedio prescelto sia oggettivamente impossibile o, a giudizio del produttore, appaia eccessivamente oneroso rispetto all'altro, quest'ultimo valuterà dapprima l'opportunità di riparare il bene, se possibile, qualora il costo delle riparazioni non risultasse sproporzionato rispetto al valore del prodotto. Qualora il costo della riparazione risultasse sproporzionato, il produttore provvederà a sostituire il bene.

**Resta inteso che, salvo prova contraria, si presume che i difetti di conformità che si manifestino entro sei mesi dalla consegna del bene esistessero già a tale data a meno che tale ipotesi sia incompatibile con la natura del bene o con la natura del difetto di conformità.**

**Per il successivo periodo di diciotto mesi di vigenza della garanzia (dal 7° al 24° mese), sarà invece onere del consumatore che intenda fruire dei rimedi accordati dalla garanzia stessa, provare l'esistenza del difetto di conformità del bene sin dal momento della consegna**

**Pertanto, nel caso in cui il consumatore non fosse in grado di fornire detta prova, non potranno essere applicate le condizioni di garanzia previste e il tecnico del Centro Assistenza Autorizzato si limiterà comunque a chiedere al consumatore il pagamento di un diritto di chiamata.**

**Di questa possibile eventualità di richiesta di pagamento del diritto di chiamata, il Consumatore ne sarà preventivamente informato quando contatterà il Centro Assistenza Tecnica.**

Gli eventuali interventi di riparazione o eventuale sostituzione del prodotto, non estendono la durata della garanzia originaria che decorre sempre dalla data di acquisto del primo bene acquistato.

## Cosa non copre la Garanzia

Non sono coperti da garanzia tutti i componenti che dovessero manifestare un difetto di conformità a causa di:

- usura, negligenza, trascuratezza d'uso e cattiva manutenzione da parte del consumatore a causa del mancato rispetto di quanto riportato e raccomandato nei libretti installazione uso e manutenzione del prodotto.
- danni da trasporto, ovvero di circostanze che, comunque, non possono farsi risalire ad azione od omissione del produttore.
- errata installazione e/o allacciamento agli impianti di alimentazione, nonché regolazioni previste dal libretto installazione uso e manutenzione in quanto le operazioni di installazione e/o allacciamento agli impianti di alimentazione sono a carico dell'installatore abilitato.

Non sono inoltre coperti da garanzia, se non quando si dimostri che si tratti di vizio di fabbricazione, le parti mobili ed asportabili, le manopole, le maniglie, le lampade, le parti in vetro e smaltate, le parti in gomma, gli eventuali accessori, i materiali di consumo e comunque tutti i componenti esterni al prodotto sui quali il consumatore può intervenire durante l'utilizzo ovvero per effettuale la corretta manutenzione del prodotto.

La presente garanzia non copre inoltre tutti gli interventi richiesti per controlli e manutenzioni periodiche come pure quelli per le dimostrazioni di funzionamento.

**Pertanto, nel caso in cui, su richiesta del Consumatore, sia effettuato un intervento tecnico da parte del personale dei Centri di Assistenza Tecnica Autorizzati in relazione a quanto sopra indicato, i costi dell'intervento e delle eventuali parti di ricambio saranno a totale carico del Consumatore.**

## Limitazioni della responsabilità del Produttore

Il marchio declina ogni responsabilità per eventuali danni che possano derivare, in modo diretto o indiretto, a persone, cose ed animali per la mancata osservanza di tutte le prescrizioni indicate nell'apposito libretto istruzioni d'uso e concernenti specialmente le avvertenze in tema di installazione, uso e manutenzione dell'elettrodomestico.

## GARANZIA – Informazioni supplementari

### ● Quando la garanzia e' valida?

La garanzia è valida nel momento in cui il cliente è in possesso della documentazione che attesta la data di acquisto, l'identificazione specifica e la tipologia del prodotto. L'utente è quindi tenuto a presentare al tecnico il documento fiscalmente valido (fattura, scontrino fiscale, documento di trasporto) che permetta di certificare la data di acquisto, la ragione sociale del rivenditore, il modello ed il prezzo di vendita del modello stesso. Terminato il periodo di validità della GARANZIA, gli interventi saranno da considerare a PAGAMENTO.

### ● Quali sono le competenze del rivenditore?

Mostrare le caratteristiche del prodotto al cliente, fornendogli spiegazioni esaurienti inerenti il suo funzionamento, in linea con quanto indicato nei cataloghi commerciali.

Quando previsto dal contratto di compravendita, installare il prodotto secondo le procedure indicate sui libretti d'uso e manutenzione. L'installazione non è a carico del produttore.

Consegnare al consumatore copia originale del documento fiscale, che attesti la data d'acquisto, la ragione sociale del rivenditore, il modello ed il costo del prodotto.

### ● Quali sono le competenze del Centro Assistenza Tecnica Autorizzato (CAT)?

Il tecnico ha il compito di ripristinare le funzionalità e conformità del prodotto, secondo quanto indicato dalle condizioni di garanzia.

Il tecnico è il solo che ha la giusta competenza per stabilire il corretto funzionamento, o meno del prodotto e nel caso in cui esso risulti irreparabile dovrà preventivamente confrontarsi con il Produttore che gli fornirà le istruzioni su come procedere.

Il tecnico deve compilare il rapporto di assistenza (foglio di lavoro) in ogni sua parte, indicando precisamente le proprie considerazioni circa l'esito della verifica e il consumatore dovrà firmare tale rapporto di assistenza.

## Prestazioni a pagamento per prodotti in garanzia

### ● Quali sono gli interventi su apparecchi in garanzia non coperti dalla medesima?

Sono a pagamento tutti gli interventi per i quali non è possibile applicare le norme di garanzia ovvero:

- Interventi atti a illustrare il funzionamento del prodotto.
- Interventi legati all'installazione del prodotto e/o alla correzione di errate o incomplete installazioni e/o manutenzione operata da personale non autorizzato.
- Interventi per trasformazione gas da Metano a GPL (sostituzione ugelli, pulizia ugelli e regolazioni fuochi).
- Interventi per richiedere la verifica delle temperature esterne al prodotto.
- Interventi per sostituzione lampade o spie luminose.
- Interventi per reinserire tasti o manopole fuoriusciti per cause non dipendenti dalla casa costruttrice.
- Interventi per sostituire particolari soggetti a usura (manopole; ghiera manopole; griglie appoggia pentole; spartifiamma; coperchietti; altro).
- Interventi per danni che non influiscono sul funzionamento del prodotto.
- Interventi per danni estetici derivanti da cause esterne.
- Interventi per danni ad elementi decorativi, compresi graffi, salti di smalto e possibili differenze di colorazione.
- Interventi per problematiche causate da corpi estranei (rottture varie).
- Interventi per regolazioni varie (es.: regolazione coperchio, regolazione porta forno, regolazione portina grill, regolazione porta stipetto o porta del vano portabombola, ecc.).
- Interventi per riagganciare la porta del forno.
- Interventi per verifiche elettriche.
- Interventi eseguiti per un'errata installazione (tubo gas non stretto sufficientemente o spina mal collegata).
- Interventi derivanti dalla mancata osservanza di tutte le prescrizioni e modalità d'uso indicate nell'apposito libretto di istruzioni.
- Interventi durante i quali non viene riscontrato il difetto indicato dal cliente.
- Interventi per danni causati all'apparecchiatura da agenti atmosferici (ossidazioni) e da forza maggiore (fulmini, inondazioni, terremoti, incendi e altro) o da atti di vandalismo.
- Interventi per un uso improprio e/o non domestico del prodotto (utilizzo in bar, ristorante, mensa, agriturismo o altro).



- Interventi necessari perché non è stata effettuata la manutenzione consigliata sull'apparecchio (ad esempio una corretta pulizia).
- Interventi per danni causati dall'utilizzo di prodotti per la pulizia contenenti acidi, polveri abrasive, componenti aggressivi, ecc.
- Interventi per sbloccare o sostituire rubinetti gas a causa di ossidazioni derivanti da una cattiva pulizia e all'utilizzo di prodotti particolarmente dannosi non rimossi.

**Per i casi sopra citati: sono da considerare a pagamento anche le spese di trasporto, qualora fosse necessario provvedere al ritiro dell'elettrodomestico per interventi di laboratorio.**

### **Scadenza della Garanzia**

Una volta scaduto il periodo di garanzia, i costi per eventuali interventi di riparazione saranno a carico del Consumatore.

La invitiamo a rivolgersi con fiducia alla nostra organizzazione di Centri Assistenza Tecnica Autorizzati dai quali potrà ottenere Servizi di qualità e ricambi originali.

## **SERVIZIO ASSISTENZA CLIENTI**

### **CERTIFICATO DI GARANZIA CONVENZIONALE: cosa fare?**

Il Suo prodotto è garantito, alle condizioni e nei termini riportati sul certificato garanzia sopra indicato ed in base alle previsioni del decreto legislativo 24/02, nonché del decreto legislativo 6 settembre 2005, n. 206, per un periodo di 24 mesi decorrenti dalla data di consegna del bene.

Così come riportato nei testi dei Decreti Legislativi citati, conservi il libretto installazione uso e manutenzione del prodotto e il presente certificato di garanzia convenzionale che dovrà essere mostrato al Servizio Assistenza Tecnica Autorizzato, in caso di necessità, unitamente ad un documento fiscalmente valido rilasciato dal rivenditore al momento dell'acquisto (bolla di consegna, fattura, scontrino fiscale, altro) sul quale siano indicati il nominativo del rivenditore, la data di consegna, gli estremi identificativi del prodotto ed il prezzo di cessione.

Resta pure inteso che, salvo prova contraria, poiché si presume che i difetti di conformità che si manifestano entro sei mesi dalla consegna del bene esistessero già a tale data, a meno che tale ipotesi sia incompatibile con la natura del bene o con la natura del difetto di conformità, il Servizio di Assistenza Tecnica Autorizzato, verificato il diritto all'intervento, lo effettuerà senza addebitare nessun costo al Consumatore. Per contro, nel successivo periodo di diciotto mesi di vigenza della garanzia, sarà invece onere del consumatore che intenda fruire dei rimedi accordati dalla garanzia stessa provare l'esistenza del difetto di conformità del bene sin dal momento della consegna; nel caso in cui il consumatore non fosse in grado di fornire detta prova, non potranno essere applicate le condizioni di garanzia previste e pertanto il Servizio di Assistenza Tecnica Autorizzato effettuerà l'intervento addebitando al consumatore tutti i costi relativi.

### **ANOMALIE E MALFUNZIONAMENTI: a chi rivolgersi ?**

Per qualsiasi necessità il Centro Assistenza Autorizzato è a Sua completa disposizione per fornirLe i chiarimenti necessari qualora il Suo prodotto presenti anomalie o mal funzionamenti.

Prima di rivolgersi al Servizio Assistenza Autorizzato, consigliamo vivamente di effettuare i controlli indicati nel presente libretto installazione uso e manutenzione.

### **MODELLO DEL PRODOTTO: Dove si trova?**

Gentile Consumatore, è indispensabile che comunichi al Centro Assistenza Tecnica Autorizzato il modello del prodotto ed il numero di matricola che troverà direttamente sul prodotto (targhetta adesiva di colore argento) oppure sull'adesivo posto sul retro del libretto istruzioni dell'apparecchio.

Lei potrà contribuire ad evitare trasferite inutili del tecnico, risparmiando oltretutto i relativi costi.

**cod.012H54**

- Nous vous remercions d'avoir choisi notre produit, veuillez lire attentivement les informations suivantes concernant la sûreté des installations et leur entretien et conserver le manuel informatif à portée de main pour d'éventuelles consultations ultérieures.

## ***MANUEL D'UTILISATION***

### ***HOTTE INTÉGRÉE***

Cher Client,

Si vous suivez les instructions contenues dans le présent manuel d'utilisation, notre produit vous permettra de jouir de hautes performances constantes pendant de nombreuses années.

## **SOMMAIRE**

---

### **RECOMMANDATIONS ET SUGGESTIONS**

### **CARACTÉRISTIQUES**

### **INSTALLATION & UTILISATION**

### **CONSEILS D'ENTRETIEN**

### **DÉPANNAGE**

**Delete this text (not in French section)**

### **RECOMMANDATIONS ET SUGGESTIONS**

---

#### **INSTALLATION**

\* Le fabricant ne sera pas tenu responsable pour tout dommage résultant de l'utilisation non appropriée du produit.

\* Veuillez lire le présent manuel d'utilisation avant d'installer et d'utiliser la hotte et veuillez garder le manuel d'utilisation en sécurité pour une éventuelle consultation ultérieure.

\* Seul un technicien autorisé et expérimenté peut entreprendre les travaux d'installation et d'entretien.

\* Vérifier que la tension principale correspond à celle indiquée sur la plaque signalétique fixée à l'intérieur de la hotte.

\* Ne pas raccorder la hotte à des conduits d'échappement qui transportent des fumées de combustion (chaudières, cheminées, etc.)

\* Si la hotte est utilisée conjointement à des appareils non électriques (par ex. installation au gaz), un niveau suffisant de ventilation doit être garanti dans la pièce de façon à empêcher le reflux des gaz d'échappement. La cuisine doit disposer d'une ouverture directe sur l'extérieur afin de garantir l'entrée d'air pur.

\* La distance minimum entre la hotte aspirante et une table de cuisson au

gaz est de 750 mm, et 650 mm table de cuisson cuisinière électrique. Si les instructions d'installation d'une table de cuisson au gaz spécifient une distance plus élevée, cela doit être pris en compte.

**REMARQUE :** Deux personnes ou plus sont nécessaires pour installer ou déplacer cet appareil. Dans le cas contraire, un risque de blessure existe.

### **UTILISATION**

- \* La hotte de cuisine a été exclusivement conçue pour un usage domestique afin d'éliminer les vapeurs de cuisson.
- \* Ne jamais utiliser la hotte à des fins autres que celles pour lesquelles elle a été conçue.
- \* Ne jamais laisser de grandes flammes nues sous la hotte qui fonctionne.
- \* Ajuster l'intensité de la flamme pour la diriger uniquement sur le fond de la casserole ; en s'assurant que la flamme ne dépasse pas sur les côtés.
- \* La friteuse doit être constamment sous surveillance lors de son utilisation, car l'huile surchauffée peut s'enflammer.
- \* La hotte ne doit pas être utilisée par des enfants ou toute personne qui n'est pas informée de son utilisation correcte.

### **ENTRETIEN**

- \* Un entretien correct de la hotte assure une bonne performance de l'appareil.
- \* Débrancher la hotte de l'alimentation principale avant d'effectuer tout travail d'entretien.
- \* Nettoyer et/ou remplacer les filtres à graisses en aluminium et les filtres au charbon actif après la période de temps donnée.
- \* Nettoyer la hotte en utilisant un chiffon humide et un détergent liquide neutre.
- \* **ÉLIMINATION :** Ne pas jeter ce produit avec les déchets ménagers. Le tri de ces ordures est nécessaire pour un traitement adapté.

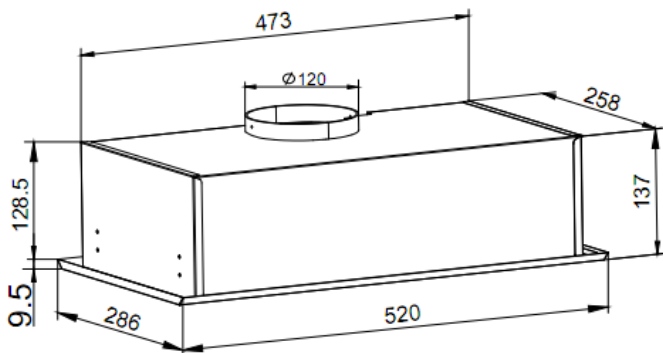
### **ATTENTION!!**

Dans certaines circonstances, les appareils électriques peuvent être une source de danger.

- \* Ne pas vérifier l'état des filtres lorsque la hotte fonctionne.
- \* Ne pas toucher l'ampoule après utilisation de l'appareil.
- \* Ne pas débrancher l'appareil avec les mains mouillées.
- \* Éviter les flammes nues, car elles peuvent endommager les filtres et déclencher un incendie.
- \* Surveiller constamment la friture, car l'huile surchauffée peut s'enflammer.
- \* Débrancher la prise électrique avant tout travail d'entretien.
- \* Les enfants ne sont pas conscients des risques que comportent les appareils électriques. C'est pourquoi il faut uniquement utiliser l'appareil sous la surveillance d'un adulte et le conserver hors de la portée des enfants.
- \* Ne pas utiliser ce produit à l'extérieur.
- \* Cet appareil n'a pas été conçu pour être utilisé par des personnes (y compris des enfants) présentant un handicap physique, sensoriel ou mental, ou un manque d'expérience et de connaissance, à moins qu'elles n'aient été informées de la manière d'utiliser l'appareil et qu'elles soient surveillées par une personne responsable de leur sécurité. Il faut surveiller les enfants afin de s'assurer qu'ils ne jouent pas avec l'appareil.
- \* Il doit y avoir une ventilation adéquate dans la pièce où la hotte est utilisée en même temps que des appareils qui brûlent du gaz ou d'autres combustibles.
- \* Le non-respect des instructions de nettoyage peut engendrer un risque d'incendie.
- \* Ne pas flamber sous la hotte aspirante.
- \* L'air évacué ne doit pas l'être dans un conduit utilisé pour les fumées provenant d'appareils brûlant du gaz ou d'autres combustibles.

# CARACTÉRISTIQUES

## DIMENSIONS



## INSTALLATION ET UTILISATION

Remarque 1 : Sur les hottes en inox, retirer avec précaution le film de protection en plastique de toutes les surfaces extérieures de la hotte avant l'installation finale.

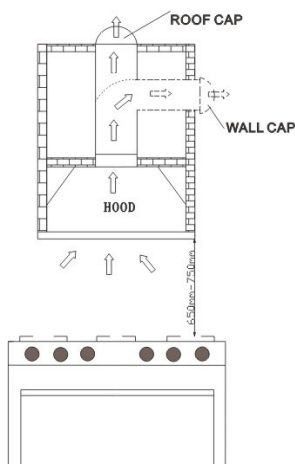
Remarque 2: Au moins deux personnes sont nécessaires pour monter la hotte.

### DESCRIPTION / CONNEXIONS

La hotte peut être installée dans sa version évacuation ou recyclage.

#### Version évacuation

La hotte aspire les vapeurs de cuisson chargées de fumées et d'odeurs à travers les filtres à graisses et les expulse à l'extérieur via le tuyau de sortie.



**Attention:** Pour réduire le risque d'incendie, l'utilisation de conduits en métal est conseillée.

Ne pas utiliser de matériaux inflammables pour évacuer l'air.

1. Choisir où le conduit va passer entre la hotte et l'extérieur.
2. Un conduit droit et court assurera un meilleur fonctionnement de la hotte.
3. Un conduit long, des coudes et autres transitions réduisent les performances de la hotte. Il faut en utiliser le moins possible. Des conduits plus larges peuvent être nécessaires pour améliorer les performances des longs tuyaux.
4. Il est recommandé d'utiliser un conduit rond de Ø120mm.
5. L'air ne doit pas être libéré dans un conduit qui est utilisé pour évacuer les fumées des appareils qui brûlent du gaz ou d'autres combustibles. Les réglementations en vigueur concernant l'évacuation de l'air doivent être respectées. Consulter les autorités locales et les codes du bâtiment pour les exigences en matière de conduits d'évacuation.
6. Installer un capuchon de toit ou de mur. Raccorder le conduit rond au capuchon et remonter jusqu'à l'emplacement de la hotte.

### **Version recyclage**

La hotte aspire les vapeurs de cuisson saturées de fumées et d'odeurs à travers les filtres à graisses et le filtre à charbon actif et réinjecte de l'air pur dans la pièce. Pour une efficacité constante, le filtre à charbon actif doit être remplacé régulièrement.

**Il faut choisir dès le début le type d'installation (recyclage ou évacuation). Pour une plus grande efficacité, nous vous recommandons d'installer la hotte dans sa version évacuation.**

### **Raccordement électrique**

\* Le câblage électrique doit être effectué par une personne qualifiée, conformément aux normes et standards en vigueur. **Mettre le système**

## **hors tension au compteur électrique avant d'effectuer le câblage.**

\* Si le câble d'alimentation est endommagé, il doit être remplacé par le fabricant, un agent de service ou une autre personne tout aussi compétente afin d'éviter tout risque d'accident.

\* Ne pas utiliser une prise ou une rallonge autre que celles fournies initialement avec la hotte.

## **INSTALLATION**

Avant de commencer l'installation, pour mieux gérer la hotte, nous vous conseillons d'enlever le panneau frontal.

La hotte a été conçue pour être utilisée avec un conduit d'évacuation de Ø120mm.

## **INSTALLATION VERSION RECYCLAGE & ÉVACUATION:**

Avant de la fixer, la conduite d'évacuation de l'air vers l'extérieur doit être installée. Utiliser une conduite d'évacuation avec : - la longueur minimum indispensable ; - le moins de coudes possible (angle maximum du coude: 90°) ; - le matériel certifié (selon les normes locales, de construction et d'incendie) ; et aussi lisse que possible à l'intérieur. Il est également recommandé d'éviter les changements drastiques dans la section transversale (diamètre recommandé: 120mm).

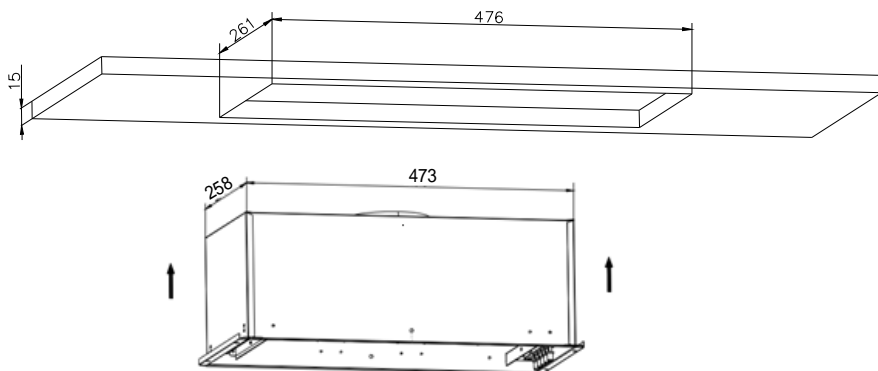
En version recyclage, veillez à conserver des sorties d'air dans le meuble, pour la réintroduction de l'air purifié dans la pièce.

## **Installation sous le meuble**

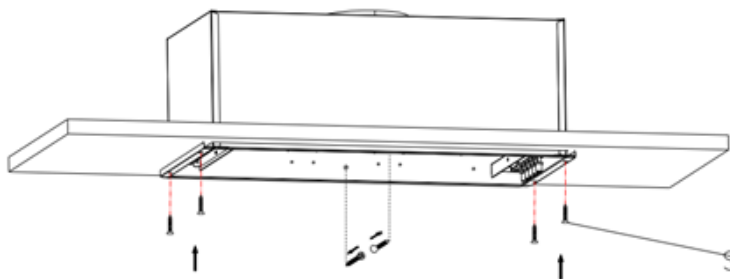
1. Dans le cadre d'une installation en évacuation, avant de fixer la hotte au meuble, percer un trou de 135 mm de diamètre pour la conduite d'évacuation de Ø120mm dans le meuble.
2. Dans tous les cas, vérifier la position de la prise de courant et prévoir où le câble passera, puisqu'il faudra peut-être faire un trou dans l'unité murale pour l'accueillir.
3. Dévisser les 2 vis visibles situées sur les côtés intérieurs du cadre de filtre de la hotte et enlever le panneau frontal. Les 6 trous de montage



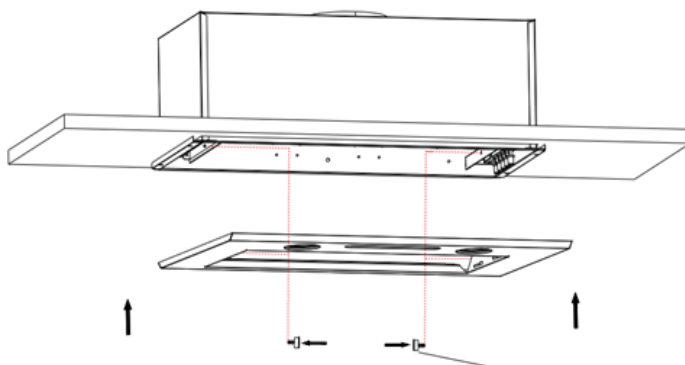
autour de l'unité sont alors accessibles.



4. Soulever la hotte et la placer dans l'ouverture du caisson. Sécuriser l'unité en utilisant 6 longues vis de montage.



5. Placer le panneau frontal sur la hotte en vissant 2 vis.



6. Visser les lampes LED dans les trous prévus à cet effet dans le sens des aiguilles d'une montre.
7. Effectuer le raccordement électrique.

**L'installation est à présent terminée.**

**Remarque:**

-L'air évacué ne doit pas être aspiré dans un conduit qui est utilisé pour les émanations provenant d'appareils qui brûlent du gaz ou d'autres combustibles.

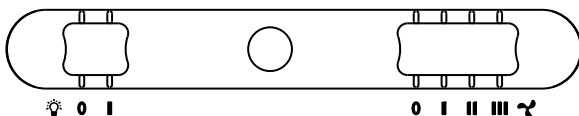
-Si les instructions de montage pour la table de cuisson au gaz spécifient une distance supérieure à 750 mm, il faut le prendre en compte.

-Les réglementations concernant l'évacuation de l'air vicié doivent être respectées.

Vérifier auprès des autorités locales les codes de construction pour les équipements d'évacuations.

## **COMMANDES**

**Delete this text**



Cette hotte est commandée en utilisant le curseur sur le panneau frontal.

L'interrupteur «éclairage» permet d'allumer et d'éteindre la lumière.

L'interrupteur «ventilation» permet de régler le ventilateur sur les 3 vitesses:

0 - OFF

1 - VITESSE LENTE

2 - VITESSE MOYENNE

3 - VITESSE ÉLEVÉE

## ENTRETIEN

### FILTRE À GRAISSES

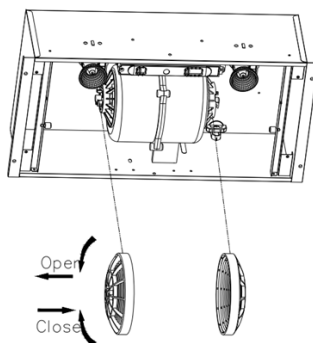
\* Le filtre à graisse doit être nettoyé régulièrement (tous les deux mois d'utilisation, voire plus en cas d'usage intensif). Utiliser une solution chaude à base de détergent.

\* Le filtre à graisse est lavable au lave-vaisselle. Le lavage au lave-vaisselle peut engendrer une coloration du filtre qui n'altère en rien son efficacité.

### FILTRE À CHARBON

Ce filtre n'est pas lavable, ne peut pas être régénéré et doit être remplacé environ tous les 3 mois d'utilisation, ou plus souvent en cas d'utilisation intensive.

1. Pour installer le filtre à charbon, tourner jusqu'à entendre le clic final.
2. Installer le panneau frontal après avoir installé le filtre à charbon.
3. Pour retirer le filtre à charbon, retirer tout d'abord le panneau frontal, puis le filtre à charbon en tournant dans le sens contraire des aiguilles d'une montre.



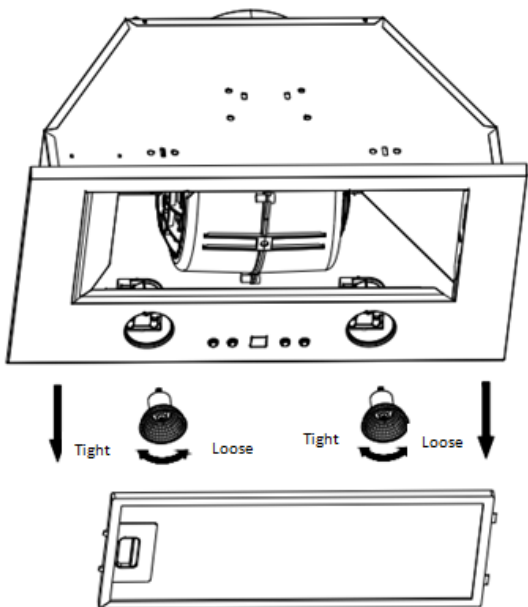
### LAMPES

Cette hotte est équipée de deux SPOTS LED GU10 (AC 230V, 4W max. chacun)

**AVERTISSEMENT:** Toujours couper l'alimentation électrique avant d'effectuer une quelconque opération sur l'appareil.

Pour changer un spot LED:

1. Enlever le filtre en aluminium.
2. Dévisser le spot LED dans le sens inverse des aiguilles d'une montre, et remplacer avec le même type de LED.



**ATTENTION :**

1. LA SURFACE ET LE CACHE DE LA LAMPE PEUVENT ÊTRE CHAUDS. FAIRE ATTENTION EN REMPLAÇANT LES LAMPES LED.
2. LES LAMPES LED PEUVENT ÊTRE CHAUDES. ATTENTION EN REMPLAÇANT LES LAMPES LED.

**Nous conseillons d'utiliser uniquement des lampes avec les mêmes caractéristiques que celles remplacées.**

---

## **CONSEILS D'ENTRETIEN**

- \* De l'eau chaude avec un peu de savon ou détergent suffisent généralement.
- \* Conclure chaque nettoyage en rinçant à l'eau claire. Essuyer avec un chiffon doux et propre pour éviter les traces d'eau.
- \* En cas de décoloration ou de dépôts persistants, utiliser un nettoyant ménager qui n'attaque pas avec un peu d'eau et un chiffon doux.
- \* Pour les dépôts tenaces, utiliser un tampon de récurage en plastique ou une brosse douce avec du nettoyant et de l'eau. Frotter légèrement . Éviter d'exercer une pression trop grande qui risque d'endommager la surface.
- \* Ne pas laisser les dépôts longtemps sur la surface.
- \* Ne pas utiliser de paille de fer ou une brosse en acier ordinaire. Des petits morceaux d'acier pourraient adhérer à la surface et engendrer de la rouille.
- \* Ne pas permettre aux solutions salines, désinfectants, javel ou agents de nettoyage de rester en contact avec la surface pour une longue période. De nombreux produits cités ci-dessus contiennent des produits chimiques qui peuvent endommager la surface. Rincer à l'eau après l'exposition et sécher avec un chiffon propre.
- \* Les surfaces peintes doivent être nettoyées avec de l'eau chaude et du détergent doux uniquement.

## **DÉPANNAGE**

La hotte peut ne pas fonctionner ou fonctionner incorrectement. Avant d'appeler le service après-vente, éteindre l'appareil, débrancher l'alimentation électrique et se référer au présent guide pour déterminer le problème.

Si le dysfonctionnement persiste, contacter notre service après-vente et préciser la nature du problème, le modèle de l'appareil et son numéro de série (sur la plaque signalétique à l'intérieur de la hotte)

<b>États</b>	<b>Raisons</b>	<b>Solutions</b>
Pas de réponse des lampes et du moteur	<ol style="list-style-type: none"> <li>1. La fiche n'est pas dans la prise de courant.</li> <li>2. Le cordon d'alimentation est endommagé.</li> </ol>	<ol style="list-style-type: none"> <li>1. S'assurer que la fiche est enfoncée correctement dans la prise de courant.</li> <li>2. Remplacer le cordon d'alimentation s'il est endommagé.</li> </ol>
	Un fusible est endommagé.	Remplacer le fusible sur le circuit imprimé.
	L'interrupteur est endommagé.	Réparer ou remplacer l'interrupteur.
La lampe ne fonctionne pas	<p>La lampe est endommagée.</p> <ol style="list-style-type: none"> <li>1. La hotte n'a pas été</li> </ol>	Remplacer la lampe endommagée.
Le corps de la hotte vibre et est très bruyant	<ol style="list-style-type: none"> <li>1. installée conformément au processus d'installation décrit dans le manuel d'instruction.</li> <li>2. Vérifier si le joint de raccordement de chaque partie n'est pas endommagé.</li> </ol>	S'assurer que la hotte a été installée conformément au manuel d'instruction.

L'extraction d'air n'est pas	Vérifier si la distance entre la hotte et le haut de la table de cuisson n'est pas trop grande.	La distance idéale est de 65-75cm.
	S'assurer que la ventilation est adéquate.	Ouvrir la porte et les fenêtres correctement. Améliorer l'environnement.
	Le conduit est endommagé.  Filtre à graisse ou filtre à charbon obstrués.  Sortie de l'extraction d'air obouchée.	Réparer ou remplacer le conduit endommagé.  Remplacer ou nettoyer les filtres.  Nettoyer la sortie de l'extraction d'air.

- Obrigado por ter escolhido o nosso produto, leia com atenção as importantes informações apresentadas em seguida relativas à segurança da instalação e à manutenção. E mantenha este manual de informação acessível para futura consulta.

## ***MANUAL DE INSTRUÇÕES***

### ***EXAUSTOR EMBUTIDO***



Caro cliente,

Se seguir as recomendações apresentadas neste Manual de Instruções, o nosso equipamento vai proporcionar-lhe um alto rendimento e vai permanecer eficiente durante vários anos.

## **CONTEÚDOS**

---

### **RECOMENDAÇÕES E SUGESTÕES**

#### **CARACTERÍSTICAS**

#### **INSTALAÇÃO E UTILIZAÇÃO**

#### **MANUTENÇÃO**

#### **RESOLUÇÃO DE PROBLEMAS**

#### **CARTÃO DE GARANTIA**

### **RECOMENDAÇÕES E SUGESTÕES**

---

#### **INSTALAÇÃO**

\*O fabricante não deverá ser considerado responsável por danos resultantes de uma instalação incorreta ou inadequada.

\* Leia este manual de instruções antes de instalar e utilizar este exaustor. Guarde este manual de instruções num local seguro para referência futura.

\* Apenas técnicos qualificados e com formação poderão realizar os trabalhos de instalação e manutenção.

\* Verifique que a tensão principal corresponde à indicada na placa de classificação fixa no interior do exaustor.

\* Não ligue o exaustor a condutas de exaustão que transportem fumos de combustão (caldeiras, lareiras, etc.)

\* Se o exaustor for utilizado juntamente com equipamentos não elétricos (ex: equipamentos a gás), deverá ser garantido um grau de ventilação suficiente nessa divisão para evitar o retorno dos gases de exaustão. A cozinha deverá possuir uma abertura diretamente para o ar livre para garantir a entrada de ar limpo.

\* A distância mínima é de 750mm do exaustor a uma boca de gás, e 650mm a um fogão elétrico. Se as instruções de instalação para fogões a gás

especificarem uma distância superior, estas devem ser levadas em consideração.

**NOTA:** Este equipamento deverá ser instalado por duas ou mais pessoas. O incumprimento desta instrução poderá causar ferimentos físicos.

### **UTILIZAÇÃO**

- \* O exaustor foi desenhado apenas para utilização doméstica para eliminar fumos de cozinha.
- \* Nunca utilize o exaustor para propósitos diferentes daqueles para os quais foi desenhado.
- \* Nunca deixe chamas livres altas por baixo do exaustor quando este estiver em funcionamento.
- \* Ajuste a intensidade da chama para que esta fique direcionada apenas para o fundo da panela, garantindo que não toca nas partes laterais da panela.
- \* As fritadeiras profundas deverão ser controladas continuamente durante a utilização: óleo sobreaquecido poderá dar origem a chamas.
- \* O exaustor não deverá ser utilizado por crianças ou pessoas que não possuam instrução para a sua utilização correta.

### **MANUTENÇÃO**

- \* Uma manutenção adequada do exaustor vai garantir o desempenho ideal da unidade.
- \* Desligue o exaustor da alimentação principal antes de realizar qualquer operação de manutenção.
- \* Limpe e/ou substitua os filtros de gordura em alumínio e os filtros de carvão ativado após o período de tempo especificado.
- \* Limpe o exaustor com um pano húmido e um detergente líquido neutro.
- \* **ELIMINAÇÃO:** Não elimine este produto juntamente com o lixo doméstico. É necessário realizar uma recolha deste tipo de detritos separadamente para que sejam alvo de um tratamento especial.

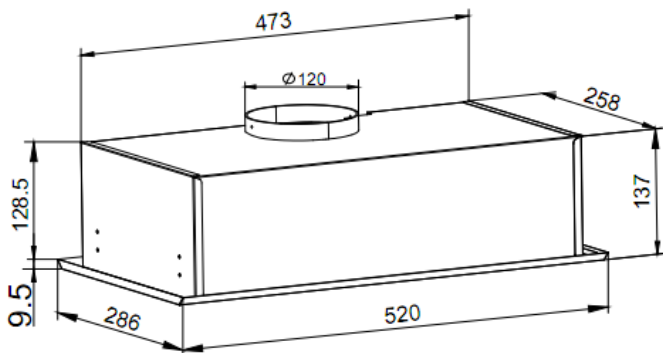
## **AVISO!!**

Em determinadas circunstâncias, os equipamentos elétricos poderão constituir um perigo.

- \* Não verifique o estado dos filtros quando o exaustor se encontrar em funcionamento.
- \* Não toque nas lâmpadas após a utilização do equipamento.
- \* Não desligue o equipamento com as mãos molhadas.
- \* Evite chamas livres, uma vez que poderá danificar os filtros e constituir um perigo de incêndio.
- \* Verifique constantemente as fritadeiras. Óleo sobreaquecido poderá constituir um perigo de incêndio.
- \* Desligue a tomada elétrica antes de qualquer operação de manutenção.
- \* As crianças não reconhecem os riscos dos equipamentos elétricos. Por este motivo, utilize ou mantenha o equipamento sempre sobre vigilância de adultos e fora do alcance de crianças.
- \* Não utilize este produto no exterior.
- \* Este equipamento não se destina a ser utilizado por pessoas (incluindo crianças) com capacidades físicas, sensoriais ou mentais reduzidas, ou com falta de experiência e de conhecimento, a não ser que tenham sido supervisionados ou recebido instruções relativamente à utilização do equipamento por uma pessoa responsável pela sua segurança. As crianças devem ser supervisionadas para garantir que não brincam com o equipamento.
- \* Deverá ser prevista uma ventilação adequada na divisão quando o exaustor for utilizado em simultâneo com equipamentos a gás ou outros combustíveis.
- \* Existe o risco de incêndio se a limpeza não for realizada de acordo com as instruções.
- \* Não faça flambados sob o exaustor.
- \* O ar de escape não deve ser descarregado para uma conduta que seja usada para fumos de escape de aparelho a gás ou outros combustíveis de combustão.

# CARACTERÍSTICAS

## DIMENSÕES



## INSTALAÇÃO E UTILIZAÇÃO

Nota 1: Em exaustores de aço inoxidável, remova cuidadosamente a película de proteção em plástico de todas as superfícies exteriores do exaustor antes da instalação final.

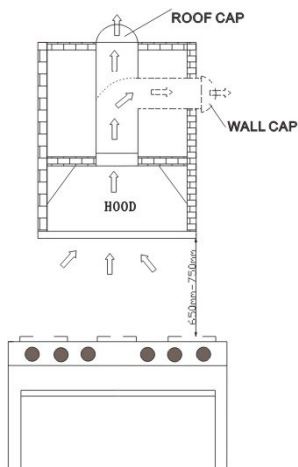
Nota 2: São necessárias pelo menos duas pessoas na montagem do exaustor.

### DESCRIÇÃO/LIGAÇÕES

O exaustor pode ser instalado na versão Extração ou Recirculação.

### Versão de extração

O exaustor extrai os fumos saturados com fumos e odor através dos filtros de gordura e expel-o para o exterior através de um tubo de saída.



**Cuidado:** Para reduzir o risco de incêndio, é preferível usar canalização metálica.

Não use material inflamável para transportar o ar de escape.

1. Decida onde a canalização vai funcionar entre o exaustor e o exterior.
2. Uma conduta reta e curta vai permitir que o exaustor realize as suas funções de forma mais eficaz.
3. Longas condutas, curvas e transições vão reduzir o desempenho do exaustor. Utilize-os o mínimo possível. Poderá ser necessária uma canalização mais larga para um melhor desempenho com condutas mais compridas.
4. É recomendável usar uma conduta redonda de  $\phi 150\text{mm}$ .
5. O ar não deverá ser descarregado para um cano que seja utilizado para fumos de exaustão de equipamentos a gás ou outros combustíveis. Deverá seguir as regulamentações relativas à descarga de ar. Verifique, junto da sua autoridade local e do código de construção, os requisitos para a canalização de exaustão.
6. Instale uma proteção de telhado/parede. Ligue a canalização redonda à proteção e trabalhe para trás na direção do exaustor.

### **Versão de Recirculação**

O exaustor extrai os fumos saturados com fumos e odor através dos filtros de gordura e filtros de carvão e devolve ar limpo à divisão. Para uma eficácia constante, os filtros de carvão devem ser substituídos periodicamente.

**Decida desde o início o tipo de instalação desejada (recirculação ou extração). Para uma maior eficácia, recomendamos a instalação do exaustor na versão de extração.**

### **Ligação elétrica**

\* A ligação elétrica deverá ser efetuada por uma pessoa qualificada de acordo com todos os códigos e normas aplicáveis. **Desligue a energia elétrica na entrada de serviço antes de efetuar as ligações.**

\* Se o cabo de alimentação estiver danificado deverá ser substituído pelo

fabricante, pelo seu agente de serviço ou pessoas com qualificações semelhantes, para evitar perigo.

\* Não utilize o tampão e um cabo de extensão diferente dos fornecidos inicialmente com o exaustor.

### **INSTALAÇÃO**

Antes de iniciar a instalação, para um melhor manuseamento do exaustor recomendamos a remoção da placa de face.

O exaustor destina-se a funcionar com uma conduta de escape de  $\phi 120\text{mm}$ .

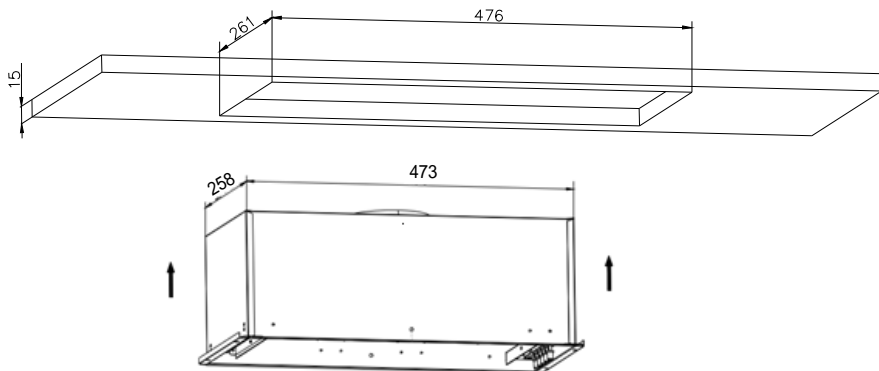
### **INSTALAÇÃO DA VERSÃO DE RECIRCULAÇÃO E COM CONDUTA:**

Antes de fixar, deve ser instalada a conduta de saída do exaustor para a evacuação de ar para o exterior. Utilize uma conduta de saída de exaustão com: - comprimento mínimo indispensável; -Curvaturas mínimas possíveis (ângulo de curvatura máximo:  $90^\circ$ ); -material certificado (de acordo com as regulamentações locais, de construção e de incêndio); e da forma mais suave possível no interior. É aconselhável que evite qualquer substituição drástica na secção transversal da conduta (diâmetro recomendado: 120mm).

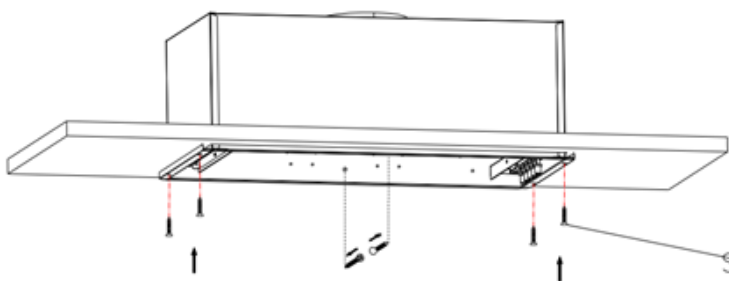
Para a versão de recirculação, preveja algumas saídas para que o ar limpo regresse à divisão

### **Instalação por baixo de uma unidade de parede**

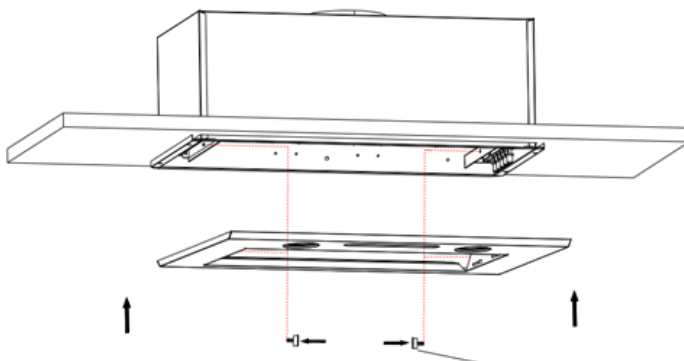
1. Antes de fixar o exaustor à unidade de parede, realize um orifício com 135mm de diâmetro para a conduta de escape de  $\phi 120\text{mm}$ , na unidade de parede.
2. Em todo o caso, verifique a posição da tomada de alimentação e avalie o percurso do cabo de alimentação, uma vez que poderá ter de ser feito um orifício na unidade de parede para o acomodar.
3. Desaparafuse os 2 parafusos visíveis situados no exaustor de ambos os tamanhos interiores da estrutura do filtro e remova a placa de face. Ficam então acessíveis os 6 orifício de montagem em torno da unidade.



4. Eleve o exaustor e encaixe pela abertura do armário. Imobilize a unidade usando 6 parafusos de montagem longos.



5. Encaixe a placa de face no exaustor aparafusando os 2 parafusos.



6. Enrosque os dois focos LED para o orifício da lâmpada.
7. Efetue a ligação elétrica.

**A instalação está, assim, concluída.**

**Advertência:**

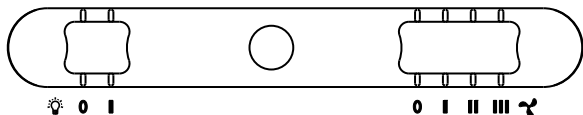
-O ar de exaustão não deve ser descarregado para um cano que seja utilizado para a exaustão de fumos de equipamentos a gás ou outros combustíveis.

-Se as instruções de instalação de um fogão a gás especificarem uma distância superior a 750mm, esta instrução deverá ser levada em consideração.

-As regulamentações relativas à descarga do ar de exaustão deverão ser seguidas. Verifique junto da autoridade local os códigos de construção para requisitos de condutas de escape

## **CONTROLOS**

### **FUNCIONAMENTO DOS CONTROLOS**



Este exaustor poderá ser operado usando um botão deslizante na placa de face.

O interruptor acende as luzes on e off.

O interruptor da ventoinha pode ser ligado para três configurações de velocidade:

0 - DESLIGADO

1 - BAIXA VELOCIDADE

2 - MÉDIA VELOCIDADE

3 - ALTA VELOCIDADE



## MANUTENÇÃO

### **FILTRO DE GORDURA**

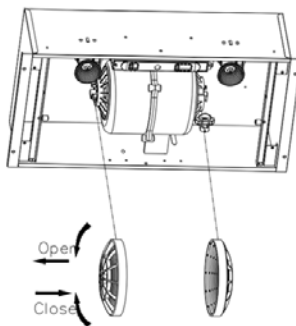
\* Os filtros de gordura devem ser limpos com frequência (a cada dois meses de funcionamento ou com maior frequência em caso de utilização severa). Utilize uma solução de detergente morna.

\* Os filtros de gordura podem ser lavados.

### **FILTRO DE CARVÃO**

Este filtro não é lavável, não pode ser recuperado, e deve ser substituído a aproximadamente cada 3 meses de operação ou mais frequentemente em utilizações intensivas.

1. Para instalar o filtro de carvão, bloqueie-o até ouvir o clique de paragem.
2. Instale a placa de face após o filtro de carvão ter sido instalado.
3. Para remover os filtros de carvão, retire primeiro a placa de face e, em seguida, remova o filtro de carvão rodando-o no sentido contrário ao dos ponteiros do relógio.

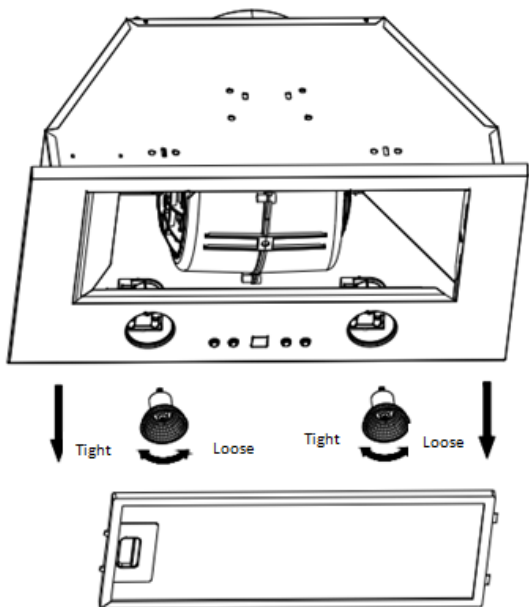


### **LÂMPADAS**

Este exaustor necessita de dois FOCOS LED GU10 (CA 230V, 4W máx. cada)  
**CUIDADO:** Desligue sempre a alimentação elétrica antes de realizar qualquer operação no aparelho.

Para substituir o foco LED:

1. Remova o filtro de alumínio.
2. Desenrosque o foco LED rodando-o no sentido contrário ao dos ponteiros do relógio e substitua por um LED do mesmo tipo.



**CUIDADO:**

1. A SUPERFÍCIE DA TAMPA DE ILUMINAÇÃO PODE ESTAR QUENTE. PROCEDA COM CUIDADO AO SUBSTITUIR AS LÂMPADAS LED.
2. AS LÂMPADAS LED PODEM ESTAR QUENTES. PROCEDA COM CUIDADO AO SUBSTITUIR AS LÂMPADAS LED.

**É recomendável usar exclusivamente lâmpadas com a mesma especificação daquelas que estão a ser substituídas.**

## **LIMPEZA DO EXAUSTOR**

O aço inoxidável é um dos materiais mais fáceis de manter limpo. Cuidados ocasionais irão preservar o seu aspeto elegante.

Dicas de limpeza:

- \* Água quente com sabão ou detergente é tudo o que normalmente é necessário.
- \* Termine todas as limpezas enxaguando com água da torneira. Seque com um pano limpo e macio para evitar marcas de água.
- \* Para descolorações ou depósitos persistentes, utilize um removedor doméstico antirriscos ou um pó de polimento de aço inoxidável, com um pouco de água e um pano macio.
- \* Para casos persistentes, utilize um esfregão de plástico ou uma escova de cerdas macias juntamente com o removedor e a água. Esfregue levemente na direção das linhas de polimento ou “grão” do acabamento inoxidável. Evite exercer demasiada pressão que possa danificar a superfície.
- \* Não permita que permaneçam depósitos durante longos períodos de tempo.
- \* Não use escovas de palha-de-aço ou arame normais. Pequenos pedaços de aço podem aderir à superfície, provocando ferrugem.
- \* Não permita que soluções salinas, desinfetantes, lixívia ou componentes de limpeza permaneçam em contacto com o aço inoxidável durante períodos prolongados. Muitos destes compostos contêm produtos químicos que podem ser prejudiciais. Enxague com água após a exposição e seque com um pano limpo.
- \* As superfícies pintadas devem ser limpas apenas com água quente e detergente neutro.

## **RESOLUÇÃO DE PROBLEMAS**

---

O exaustor pode não trabalhar ou trabalhar incorretamente. Antes de efetuar uma chamada para o serviço pós-venda, desligue o aparelho, remova a ficha da tomada de corrente e consulte este guia, para determinar o problema.

Se a avaria persistir, contacte o nosso Serviço Pós-Venda e especifique a natureza do problema, o nº do modelo do aparelho e o número de série (constante da placa de identificação no interior do exaustor)

<b>Estado</b>	<b>Motivos</b>	<b>Soluções</b>
Nenhuma resposta das lâmpadas e do motor	1. A ficha está desligada da tomada de corrente.	1. Certifique-se de que a ficha é bem inserida na tomada de corrente.
	2. O cabo de alimentação está danificado.	2. Substitua o cabo de alimentação se o mesmo estiver danificado.
	O fusível na placa PCB está danificado.	Substitua o fusível na placa PCB.
	O botão está danificado.	Repare ou substitua o botão.
A lâmpada não funciona	A lâmpada está danificada.	Substitua a lâmpada danificada.
O corpo do exaustor produz vibrações e ruído fortes	1. O exaustor não foi corretamente instalado, de acordo com o processo de instalação descrito no manual de instruções. 2. Verifique se a ligação da junta de cada peça está danificada.	Certifique-se de que o exaustor foi corretamente instalado de acordo com o manual de instruções.

O desempenho de escape do ar é frasco	Verifique se a distância entre o exaustor e a bancada de cozinha é demasiado grande.	A distância ideal é de 65-75cm.
	Assegure que existe uma ventilação adequada.	Abra adequadamente porta e janelas. Melhore o ambiente.
	A conduta está danificada.  Filtros de massa ou filtro de carvão entupidos  Saída do ar de escape entupida	Repare ou substitua a conduta danificada.  Substitua ou limpe os filtros  Desobstrua a saída de escape do ar

## **CONDIÇÕES GERAIS DE GARANTIA**

Os produtos abrangidos pela garantia e adquiridos por um consumidor gozam de uma garantia de 2 anos contra defeitos de fabrico, a contar da data da sua aquisição.

Entende-se como consumidor aquele a quem sejam fornecidos bens, prestados serviços ou transmitidos quaisquer direitos, destinados a uso não profissional.

A presente garantia não prejudica qualquer legítimo direito do consumidor e está em conformidade com todas as exigências legais, designadamente com o Decreto-Lei nº 67/2003 e o Decreto-Lei nº 84/2008.

Os serviços em garantia serão fornecidos unicamente mediante a apresentação da factura de venda originais, juntamente com o produto defeituoso ainda dentro do prazo de garantia, através dos serviços autorizados da Rede de Assistência Técnica ou directamente na GlemGas Portugal.

A GlemGas Portugal poderá recusar o serviço de garantia se estes documentos não forem apresentados ou se estiverem incompletos, ilegíveis ou alterados. Esta garantia também não produzirá efeitos se o modelo ou número de série no produto (caso exista) tiver sido alterado, apagado, removido ou tornado ilegível.

Esta garantia não cobre as seguintes situações, tendo o cliente de suportar os custos de reparação, mesmo para defeitos que ocorram dentro do período da garantia acima referido:

1. Qualquer defeito que ocorra devido ao uso incorrecto ou inadequado do produto (tal como mencionado no Manual de Instruções/Utilização);
2. O uso não doméstico do produto;
3. Qualquer defeito que ocorra devido a reparação, modificação, limpeza ou qualquer intervenção executada por terceiros, em relação à marca e aos respectivos serviços de assistência técnica autorizada;
4. Qualquer defeito ou dano que ocorra devido ao transporte, queda e/ou choque;
5. Qualquer defeito ou dano que ocorra devido a incêndio, terramoto, inundação, raio, outras catástrofes naturais, poluição ambiental e fontes de voltagem irregular;
6. Qualquer defeito que ocorra devido a armazenamento descuidado ou impróprio (tal como manter o produto sob condições de elevada temperatura e humidade, próximo de repelentes de insectos tais como naftalina ou produtos nocivos ou que afectem o seu funcionamento), manutenção imprópria ou falta de limpeza;
7. Qualquer defeito que ocorra devido à exaustão de baterias;
8. Qualquer defeito que ocorra devido à entrada de areia, poeiras ou líquidos no interior do produto;
9. Terem decorrido mais de 10 anos sobre a colocação do produto em circulação no mercado por parte da GlemGas Portugal.

Os produtos com extensão de garantia gratuita para além dos 2 anos iniciais, serão reparados contemplando exclusivamente de forma gratuita, a intervenção técnica ou eventuais peças necessárias à sua colocação na forma de estado conforme.

Os produtos consumíveis ou de desgaste mais rápido (podem não ter, ou) não têm de todo uma duração de 2 anos, ainda que em condições correctas de utilização, sendo a sua substituição a cargo do utilizador ou proprietário do produto.

Estão incluídos nestes consumíveis:

### **Com exclusão de garantia:**

Lâmpadas, fusíveis, lâmpadas piloto, plásticos riscados ou partidos, vidros riscados ou partidos.

**Com garantia de 6 meses:** Todos os componentes de desgaste ou embelezamento, que são intervencionados por acção de terceiros dentro e fora da função de funcionamento, como por exemplo em manutenções de limpeza (tais como queimadores, grelhas, filtros de chaminé, borrachas, etc).

- شكرًا جزيلاً على اختيار منتجنا، ويرجى قراءة المعلومات المهمة التالية بخصوص سلامة التركيب والصيانة. ويرجى الاحتفاظ بكتيب المعلومات المائل في مكان يسهل الوصول إليه للرجوع إليه عند الحاجة.

كتيب الإرشادات  
لجهاز الطهي طراز

عملينا العزيز ،

إذا اتبعت التوصيات الواردة في دليل التعليمات المائل، سيتمك جهازنا أعلى أداء ثابت وسيظل فعالاً لسنوات عديدة.

## المحتويات

التوصيات والاقتراحات

السمات

التركيب والاستخدام

الصيانة

إصلاح الأعطال

بطاقة الضمان

## التوصيات والاقتراحات

### التركيب

\* لن يتحمل المصنع المسؤولية عن أية أضرار مترتبة على التركيب الخاطئ أو غير المناسب.  
\* يرجى قراءة دليل التعليمات المائل قبل تركيب واستخدام مدخنة الموقد. ويرجى الاحتفاظ بدليل التعليمات في مكان آمن كمرجع في المستقبل.

\* يمكن أن يتولى تنفيذ أعمال التركيب والصيانة فني مؤهل ومدرب فقط.

\* تأكد أن الجهد الرئيسي يتوافق مع ذلك الموضح على بطاقة البيانات المثبتة داخل المدخنة.

\* يحظر توصيل المدخنة بأنابيب العادم التي تحمل أبخرة الاحتراق (الغلايات، الأفران، وخلافه)

\* إن تم استخدام المدخنة بالاقتران مع أجهزة غير كهربية (مثل، أجهزة التسخين التي تعمل بالغاز)، يجب ضمان توفير درجة كافية من التهوية في الغرفة لمنع ارتداد غاز العادم. ويجب توفير فتحة بالمطبخ تتصل مباشرة بالهواء الخارجي لضمان دخول الهواء النقي.

يجب ألا تقل المسافة من غطاء جهاز الطهي إلى الموقد الغازي عن 750 مم، وألا تقل من الغطاء إلى الموقد الكهربائي عن 650 مم. أما إذا حددت تعليمات تركيب الموقد الغازي مسافة أكبر من ذلك، يجب أخذ هذا الأمر في الاعتبار.

**ملحوظة:** يلزم وجود شخصين أو أكثر لتركيب أو نقل هذا الجهاز. وقد يتسبب الإخفاق في القيام بذلك إلى إصابات جسدية.



## الاستخدام

- \* تم تصميم مدخنة الموقد فقط للاستخدام الداخلي للتخلص من أدخنة المطبخ.
- \* يحظر استخدام المدخنة لأغراض خلاف الغرض من تصميمها.
- \* يحظر ترك اللهب العالي المكشوف أسفل المدخنة عندما تكون في وضع التشغيل.
- \* قم بضبط كثافة اللهب كي يتجه لأسفل المقلاة فقط، وتأكد من عدم خروجه من جوانب المقلاة.
- \* يجب مراقبة المقلاة العميقة طوال الوقت أثناء الاستخدام: قد يتساقط الزيت الساخن على اللهب.
- \* يحظر استخدام المدخنة بواسطة الأطفال أو الأشخاص الذين لم يتم توجيههم بشأن استخدامها الصحيح.

## الصيانة

- \* ستضمن الصيانة المناسبة لمدخنة الموقد الأداء المناسب للوحدة.
- \* قم بفصل المدخنة من مصدر الطاقة الرئيسي قبل إجراء أية أعمال صيانة.
- \* قم بتنظيف و / أو استبدال مرشحات الدهون المصنوعة من الألمونيوم وقم بتفعيل مرشحات الفحم بعد فترة زمنية محددة.
- \* قم بتنظيف المدخنة باستخدام قطعة قماش رطبة ومطهر سائل محايد.
- \* التخلص: يحظر التخلص من هذا المنتج ضمن مخلفات البلدية غير المصنفة. يجب تجميع هذه المخلفات بصورة مستقلة لإجراء معالجة خاصة.

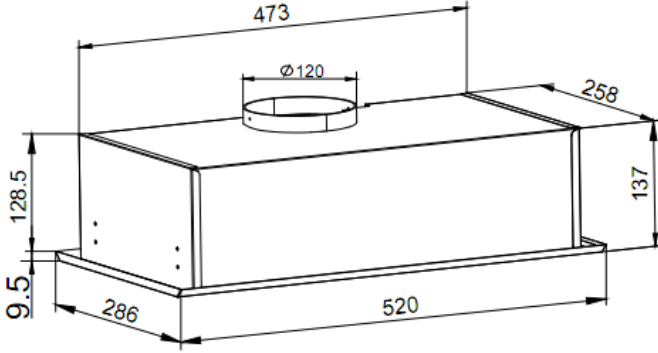
## تحذير!!

- في ظروف معينة، قد تتسبب الأجهزة الكهربائية في مخاطر.
- \* يحظر فحص حالة المرشحات عند تشغيل مدخنة الموقد.
- \* يحظر لمس بصيالات المصباح بعد استخدام الجهاز.
- \* يحظر فك الجهاز بأيدي مبللة.
- \* تجنب اللهب المكشوف، حيث إنه يتلف المرشحات ويتسبب في خطر الحريق.
- \* يجب فحص مقلاة الطعام باستمرار. قد يتسبب الزيت الساخن في خطر الحريق.
- \* قم بفصل مقياس الكهرباء قبل إجراء أية صيانة.
- \* لا يدرك الأطفال مخاطر الأجهزة الكهربائية. وبالتالي يجب استخدام الجهاز أو التعامل معه تحت إشراف البالغين فقط ويوضع بعيداً عن متناول الأطفال.
- \* يحظر استخدام هذا المنتج في الهواء الطلق.
- \* لا يستهدف هذا الجهاز استخدام بواسطة الأشخاص (بما في ذلك الأطفال) الذين يعانون من مشكلات بدنية أو حركية أو عقلية، أو يفتقرون للخبرة والمعرفة، إلا إذا خضعوا للإشراف أو توجيه بشأن استخدام الجهاز بواسطة شخص مسئول عن سلامتهم. ويجب الإشراف على الأطفال لضمان عدم لعبهم بالجهاز.
- يجب أن تتوفر تهوية كافية في الغرفة التي يستخدم فيها غطاء جهاز الطهي في نفس الوقت الذي تستخدم فيه أجهزة تعمل بالغاز أو بأي وقود آخر.
- \* هناك خطر حريق، إن لم يتم إجراء التنظيف طبقاً للتعليمات.

- \* لا تشعل نارا أو تترك لها تحت غطاء جهاز الطهي.
- \* ممنوع تصريف هواء العادم في مدخنة مستخدمة لتصريف الأدخنة والأبخرة المنطلقة من أجهزة تعمل بالغاز أو بأي وقود آخر.

## السمات

### الأبعاد



### التركيب والاستخدام

- ملاحظة 1: إذا كان الغطاء من الفولاذ الذي لا يصدأ، أخرج الرقاقة البلاستيكية الواقية من الأسطح الخارجية للغطاء بعناية قبل التركيب النهائي له.
- ملاحظة 2: يلزم قيام شخصين على الأقل بتركيب الغطاء.

#### الوصف / التوصيلات

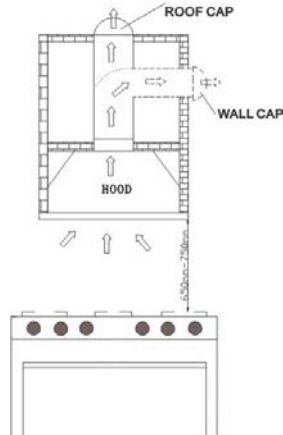
يجب تركيب المدخنة في وضع توصيلات الأنابيب أو التدوير.

#### وضع توصيلات الأنابيب

تسحب المدخنة أبخرة الطبخ المشبعة بالأبخرة والروائح، من خلال مرشحات الدهون وتطردها إلى الخارج عبر أنبوب المنفذ.

**تحذير:** لتقليل خطر الحريق، يفضل استخدام شبكة أنابيب معدنية. لا تستخدم مادة قابلة للاشتعال في تصريف هواء العادم.

1. حدد مكان تشغيل شبكة الأنابيب بين المدخنة والخارج.



2. سيسمح الأنبوب القصير والمستقيم للمدخنة بأداء مهامها بفعالية.
3. ستقلل الأنابيب الطويلة ذات المرافق والانحناءات من أداء المدخنة. لذلك يرجى استخدام أقصر أنابيب قدر الإمكان. وقد نحتاج لتوصيلات أطول لتحقيق أداء أفضل مع الأنابيب الأطول.
4. نوصي باستخدام أنبوب دائري قطر 120 مم.
5. يحظر صرف الهواء نحو المداخل التي تستخدم لأبخرة العادم من الأجهزة التي تعمل بالغاز أو أنواع الوقود الأخرى، ويجب إتباع اللوائح المتعلقة بصرف الهواء. وراجع السلطات المحلية وقوانين المباني للتعرف على اشتراطات توصيلات العادم.
6. قم بتركيب غطاء للسقف / الجدار. وقم بتوصيل أنابيب معدنية دائرية بالغطاء وصله بموضع المدخنة.

### وضعية التدوير

- تسحب المدخنة أبخرة الطبخ المنتشعبة بالأبخرة والروائح من مرشحات الدهون ومرشحات الفحم وتعيد الهواء النقي إلى الغرفة. وللمحافظة على الفعالية، يجب استبدال مرشحات الفحم بشكل دوري.
- حدد من البداية وضع التركيب (تدوير أو توصيلات أنابيب). وللحصول على أعلى فعالية، نوصي بتركيب المدخنة في وضع توصيلات الأنابيب.

### التوصيلات الكهربائية

- \* يجب توصيل الأسلاك الكهربائية بواسطة شخص مؤهل / أشخاص مؤهلين طبقاً لجميع القواعد والمعايير السارية. وقم بإيقاف مصدر الكهرباء في مدخل الخدمة قبل التوصيل.
- \* إذا تلف سلك الإمداد، يجب استبداله بواسطة المصنع، أو وكيل الخدمة أو شخص مؤهل لتجنب المخاطر.
- \* يحظر استخدام مقبس وسلك تمديد خلاف الأنواع الموردة في البداية مع المدخنة.

### التركيب

قبل البدء في التركيب، ومن أجل التعامل الصحيح مع الغطاء، ننصح بفك اللوحة الخارجية للجهاز.

غطاء جهاز الطهي مصمّم ليعمل مع أنابيب تصريف العادم بقطر 120 مم.

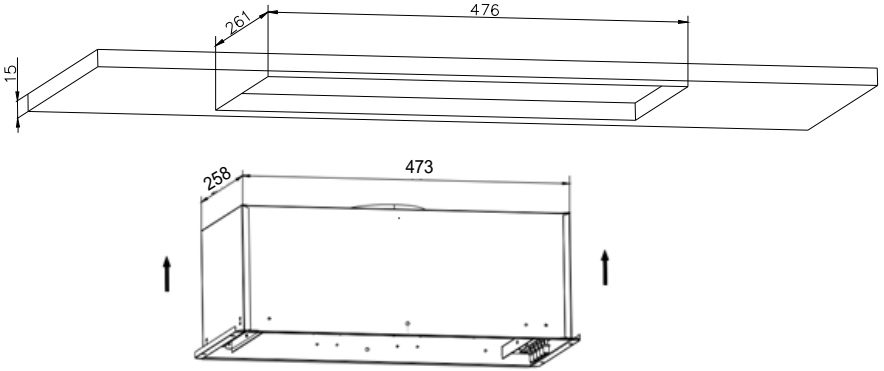
### تركيب الأنابيب وتجديد الهواء:

- قبل البدء في التركيب، للتعامل بشكل أفضل مع المدخنة، نقترح إزالة المرشح. وقبل التنشيط، يجب تركيب أنبوب عادم المخرج لسحب الهواء إلى الخارج. واستخدم أنبوب عادم المخرج ذي:
- أقل طول ممكن، - أقل انحناءات ممكنة (أقصى زاوية انحناء: 90°)، - مادة معتمدة (طبقاً للوائح المحلية، والخاصة بالمباني والحريق)، وأن يكون ناعماً من الداخل قدر الإمكان. كما يوصى كذلك بتجنب أية تغييرات جذرية في المقطع العرضي لأنبوب (القطر المقترح: 120 مم).

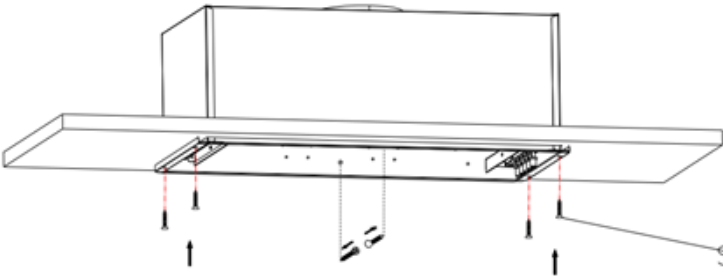
لكي يتم تجديد الهواء، يُرجى تدبير بعض المخارج أو المنافذ لدخول هواء نظيف في الغرفة.

## التثبيت أسفل وحدة الجدار

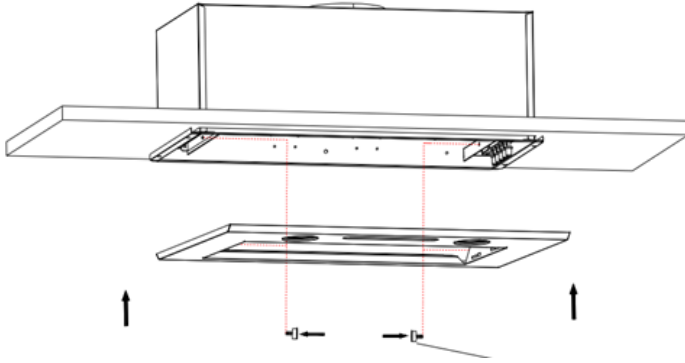
1. قبل تثبيت الغطاء بالوحدة، أحفر بالمتقاب ثقباً بقطر 135 مم لأنابيب التصريف قطر 120 مم بالوحدة الجدارية.
2. تأكد في كل الحالات من مخرج كابل الكهرباء والمسار الذي سيمر خلاله، إذ يتعين فتح ثقب بالوحدة الجدارية لاستيعاب هذا الكابل.
3. فك لولبياً عدد 2 مسمار ملولب موجودين بالغطاء لإحكام تثبيت إطار المرشح الداخلي، وفك اللوحة الخارجية. وعندئذ يسهل وصولك إلى عدد 6 ثقوب تركيب تحيط بالوحدة.



5. ارفع غطاء جهاز الطهي وثبته داخل الإطار أو المساحة المخصصة له بخزينة الجهاز. ثم أحكم تثبيت الوحدة بواسطة عدد 6 مسامير تثبيت ملولبة طويلة.



6. تُثَبَّت اللوحة الخارجية على الغطاء وذلك بربط عدد 2 مسمار ملولب لولبيا



7. لَفِّ لمبات البيان والتنبيه الموضعية في اتجاه عقارب الساعة في الفتحات المخصصة لها.

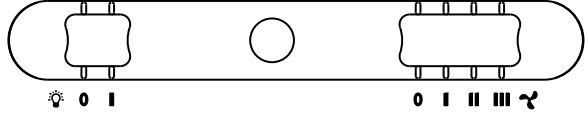
8. قَم بِتوصيل التوصيلات الكهربائية

تم استكمال التركيب الآن.

#### ملحوظة:

- يحظر صرف الهواء العادم في الأنبوب المستخدم لصرف الأبخرة من الأجهزة التي تعمل بالغاز أو أي نوع وقود آخر.
- إذا حددت التعليمات الخاصة بتركيب موقد الغاز مسافة أكبر من 750 مم، يجب وضع ذلك في الاعتبار.
- يجب إتباع اللوائح الخاصة بصرف هواء العادم.
- راجع السلطة المحلية المسؤولة عن قوانين البناء بشأن شروط ومتطلبات أنابيب تصريف العادم.

## أدوات التحكم تشغيل أدوات التحكم



يتم تشغيل هذا الغطاء من مفتاح منزلق بلوحة الواجهة.  
يعمل مفتاح المصباح على إضاءة المصابيح وإطفائها.  
يعمل مفتاح المروحة على تشغيل المروحة على ثلاث سرعات:

0 - إيقاف

1 - سرعة بطيئة

2 - سرعة متوسطة

3 - سرعة عالية

## الصيانة

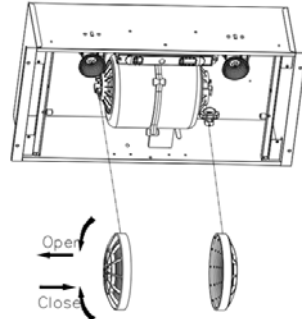
### مرشح الدهون

\* يجب تنظيف مرشحات الدهون بصورة دورية (كل شهرين من التشغيل أو بشكل متكرر عند الاستخدام المكثف). واستخدم محلول مطهر دافئ.  
\* ومرشحات الدهون قابلة للغسيل.

### مرشح الفحم النباتي

هذا المرشح غير قابل للغسل ولا يمكن تنشيطه، ويجب تغييره تقريبا بعد 3 أشهر من التشغيل، أو على فترات أقل في حالة الاستخدام المكثف.

1. لتركيب مرشح الفحم النباتي، اضغط عليه حتى تسمع تكة ثباته في موضعه.
2. ركب لوحة الواجهة عقب تركيب مرشح الفحم النباتي.
3. لفك مرشح الفحم النباتي، انزع لوحة الواجهة أولاً ثم فك المرشح بلفه لولبيا في عكس اتجاه دوران عقارب الساعة.

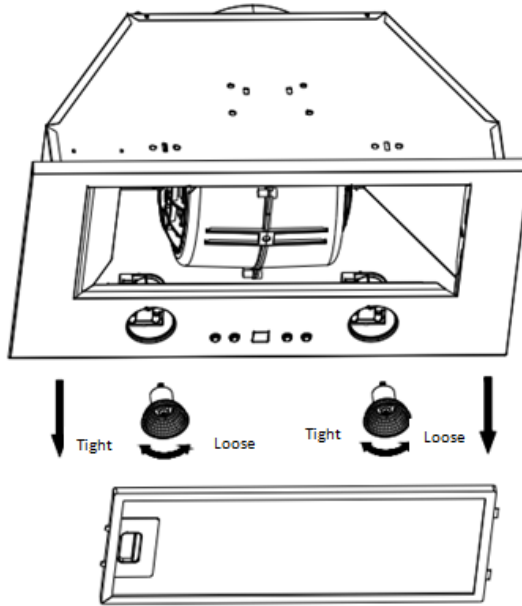


## المصابيح

قد يتطلب هذا الغطاء عدد 2 لمبة بيان موضعية طراز (GU10) وأقصى قدرة لكل منهما 230 فولت، 4 وات تيار متردد.  
**تحذير:** افصل دائما التيار الكهربائي عن الجهاز قبل البدء في أية عمليات صيانة له.

لتغيير لمبة البيان الموضعية، قم بما يلي:

1. فك المرشح الألومنيوم.
2. لف لمبة البيان الموضعية عكس عقارب الساعة واستبدالها بلمبة بيان من نفس نوعها.



## تحذير:

1. قد يكون السطح وسائر الأضواء ساخنين، لذلك عليك توخي الحذر عند تغيير اللمبات.

2. قد تكون لمبات البيان ساخنة، لذلك عليك توخي الحذر عند تغييرها.

نوصي باستخدام لمبات بيان بنفس مواصفات تلك التي يتم استبدالها.

## تنظيف الغطاء

الفولاذ غير القابل للصدأ أحد المواد التي يسهل الحفاظ عليها نظيفة. غير أن تنظيفها دوريا من وقت إلى آخر سوف يساعد على بقاء منظرها جيدا.

### إرشادات التنظيف:

- ✓ كل ما تحتاجه عادة هو الماء الساخن والصابون أو منظف صناعي.
- ✓ أتم كل التنظيف بالشفط بماء نظيف ثم التجفيف جيدا بقطعة قماش ناعمة ونظيفة وذلك لتجنب ترك أية علامات بلل.
- ✓ في حالة بهتان اللون أو وجود رواسب مستديمة، استخدم منظفاً منزلياً غير حاك أو خادش أو مسحوق مخصّص لتنظيف الفولاذ الذي لا يصدأ مع قليل من الماء وقطعة قماش ناعمة.
- ✓ في حالة الاتساخات الملتصقة بشدة، استخدم إسفنجة تنظيف وجليّ بلاستيكية أو فرشاة ذات شعر ناعم مع منظف صناعي وماء. حك برقة في اتجاه خطوط التلميع والجليّ أو "التجزيعات" المميزة لسطح الفولاذ غير القابل للصدأ. تجنب استخدام ضغط كبير لأن ذلك قد يتلف الأسطح.
- ✓ لا تسمح ببقاء رواسب على الأسطح لفترات طويلة من الزمن.
- ✓ لا تستخدم ليفات سلكية عادية أو الفرشات الفولاذية، إذ أن بعض فتات الفولاذ قد تلتصق بالأسطح وتسبب صدأها.
- ✓ لا تسمح بملامسة أي محاليل ملحية، أو مواد مطهرة أو مبيضات أو مركبات تنظيف، للفولاذ غير القابل للصدأ لفترات طويلة. فالكثير من تلك المركبات يحتوي على كيماويات قد تكون ضارة.
- ✓ اشطف الأسطح بالماء بعد تعرضها لتلك المركبات ثم جففها بقطعة قماش نظيفة.
- ✓ يجب تنظيف الأسطح المطلية بماء دافئ ومنظف صناعي معتدل فقط.

## إصلاح الأعطال

غطاء جهاز الطهي قد لا يعمل أو قد يعمل بشكل خاطئ. ولكن قبل استدعاء فنيي خدمة ما بعد البيع، قم أولاً بفصل الجهاز وفصل الكهرباء عنه ونزع كابل الكهرباء من المقبس، ثم ارجع إلى هذا الكتيب لتحديد المشكلة أو سببها.

إذا استمر العطل، اتصل بخدمة ما بعد البيع لدينا وحدّد لهم طبيعة المشكلة وطراز الجهاز ورقمه المتسلسل (الموجود بلوحة المعايرة داخل الغطاء).



الحلول	الأسباب	الحالة
1- تأكد من دخول القابس في مقبس الكهرباء بشكل صحيح. 2- قم باستبدال كبل الكهرباء إذا وجدته تالفا.	1- القابيس مفصول عن مقبس الكهرباء. 2- كبل الكهرباء تالف.	اللمبات والمحرك الكهربائي لا تستجيب.
استبدل مصهر لوحة الدائرة المطبوعة.	تلف مصهر لوحة الدائرة المطبوعة	
أصلح المفتاح أو استبدله.	مفتاح التشغيل تالف.	
استبدل اللمبة التالفة.	اللمبة تالفة.	اللمبة لا تعمل
تأكد أن الغطاء تم تركيبه بطريقة صحيحة طبقا للمبين بدليل المستخدم.	1- لم يتم تركيب الغطاء بطريقة صحيحة طبقا لعملية تركيبه المبينة بدليل المستخدم. 2- افحص وصلات الأجزاء فقد يكون أحدها أو بعضها تالفا.	جسم الغطاء يهتز ويصدر ضجيجا عاليا.
المسافة المثالية هي: 65- 75 مم.	افحص المسافة بين الغطاء وقمة جهاز الطهي فقد تكون أكبر مما ينبغي.	
افتح الباب والنوافذ جيدا وحسن من البيئة المحيطة.	تأكد من وجود تهوية كافية.	أداء هواء العادم سيئ
- أصلح أو استبدل المجرى التالف. - نظّف أو استبدل المرشحات التالفة. - نظّف مخرج الهواء العادم وأزل أي اتساخات أو انسدادات منه.	- تلف مجرى هواء العادم. - مرشحات الدهون أو مرشح الفحم النباتي مسدودة. - مخرج هواء العادم مسدود.	





技术参数贴纸粘贴处

