

▶ KWK884520M
KWE884520M
KWK884520B

EN	User Manual Wine Cellar	2
FR	Manuel Utilisateur Cave à vin	14
DE	Bedienungsanleitung Weinkeller	26
IT	Manuale dell'utente Cantina per vini	38

USER MANUAL



AEG

CONTENTS

1. SAFETY INFORMATION.....	3
2. SAFETY INSTRUCTIONS	5
3. PRODUCT DESCRIPTION	6
4. CONTROL PANEL	7
5. USE.....	8
6. INSTALLATION	11
7. CARE AND MAINTENANCE.....	11
8. TROUBLE SHOOTING GUIDE	12
9. ENVIRONMENTAL CONCERNS.....	13

FOR PERFECT RESULTS

Thank you for choosing this AEG product. We have created it to give you impeccable performance for many years, with innovative technologies that help make life simpler – features you might not find on ordinary appliances. Please spend a few minutes reading to get the very best from it.

Visit our website for:



Get usage advice, brochures, trouble shooter, service information:
www.aeg.com



Register your product for better service:
www.registeraeg.com



Buy Accessories, Consumables and Original spare parts for your appliance:
www.aeg.com/shop

CUSTOMER CARE AND SERVICE

We recommend the use of original spare parts.

When contacting Service, ensure that you have the following data available.

The information can be found on the rating plate. Model, PNC, Serial Number.



Warning / Caution-Safety information.



General information and tips.



Environmental information.

Subject to change without notice.

1. SAFETY INFORMATION

Before the installation and use of the appliance, carefully read the supplied instructions. The manufacturer is not responsible if an incorrect installation and use causes injuries and damages. Always keep the instructions with the appliance for future reference.

1.1 Children and vulnerable people safety

- This appliance can be used by children aged from 8 years and above and persons with reduced physical, sensory or mental capabilities or lack of experience and knowledge if they have been given supervision or instruction concerning use of the appliance in a safe way and understand the hazards involved.
- Do not let children play with the appliance.
- Keep all packaging away from children.
- Cleaning and user maintenance shall not be made by children without supervision.

1.2 General Safety

- This appliance is intended to be used in household and similar applications such as:
 - Farm houses; staff kitchen areas in shops, offices and other working environments
 - By clients in hotels, motels, bed and breakfast and other residential type environments
- Use this appliance for storage of wine only.
- Keep ventilation openings, in the appliance enclosure or in the built-in structure, clear of obstruction.
- Do not use mechanical devices or other means to accelerate the defrosting process, other than those recommended by the manufacturer.
- Do not damage the refrigerant circuit.
- Do not use electrical appliances inside the food storage compartments of the appliance, unless they are of the type recommended by the manufacturer.

- Do not use water spray and steam to clean the appliance.
- Clean the appliance with a moist soft cloth. Only use neutral detergents. Do not use abrasive products, abrasive cleaning pads, solvents or metal objects.
- Do not store explosive substances such as aerosol cans with a flammable propellant in this appliance.
- If the supply cord is damaged, it must be replaced by the manufacturer, its service agent or similarly qualified persons in order to avoid a hazard.

2. SAFETY INSTRUCTIONS

2.1 Installation



WARNING! Only a qualified person must install this appliance

- Remove all the packaging.
- Do not install or use a damaged appliance.
- Obey the installation instruction supplied with the appliance.
- Always be careful when you move the appliance because it is heavy. Always wear safety gloves.
- Make sure the air can circulate around the appliance.
- Wait at least 4 hours before connecting the appliance to the power supply. This is to allow the oil to flow back in the compressor.
- Do not install the appliance close to radiators or cookers, oven or hobs. The rear of the appliance must stand against the wall.
- Do not install the appliance where there is direct sunlight.
- Do not install this appliance in areas that are too humid or too colds, such as the construction appendices, garages or wine cellars.
- When you move the appliance, lift it by the front edge to avoid scratching the floor.

2.2 Electrical connection



WARNING! Risk of fire and electrical shock.

- The appliance must be earthed.
- All electrical connections should be made by a qualified electrician.
- Make sure that the electrical information on the rating plate agrees with the power supply.
- If not contact an electrician.
- Always use a correctly installed shock-proof socket.
- Do not use multi-plug adapters and extension cables.

- Make sure not to cause damage to the electrical components (e.g. mains plug, mains cable, compressor). Contact the Service or an electrician to change the electrical components.
- The mains cable must stay below the level of the mains plug.
- Connect the mains plug to the mains socket only at the end of the installation. Make sure that there is access to the mains plug after the installation.
- Do not pull the mains cable to disconnect the appliance. Always pull the mains plug.

2.3 Use



WARNING! Risk of fire and electrical shock or fire.

- Do not change the specification of this appliance.
- Do not put electrical appliances (e.g. ice cream makers) in the appliance unless they are stated applicable by the manufacturer.



Be careful not to cause damage to the refrigerant circuit. It contains isobutane (R600a), a natural gas with a high level of environmental compatibility. This gas is flammable.

- If damage occurs to the refrigerant circuit, make sure that there are no flames and sources of ignition in the room. Ventilate the room.
- Do not let hot items to touch the plastic parts of the appliance.
- Do not store flammable gas and liquid in the appliance.
- Do not put flammable products or items that are wet with flammable products in, near or on the appliance.
- Do not touch the compressor or the condenser.
- They are hot.

2.4 Care and cleaning



WARNING! Risk of injury or damage to the appliance

- Before maintenance, deactivate the appliance and disconnect the mains plug from the mains socket.
- This appliance contains hydrocarbons in the cooling unit. Only a qualified person must do the maintenance and the recharging of the unit.
- Regularly examine the drain of the appliance and if necessary, clean it. If the drain is blocked, defrosted water collects in the bottom of the appliance.

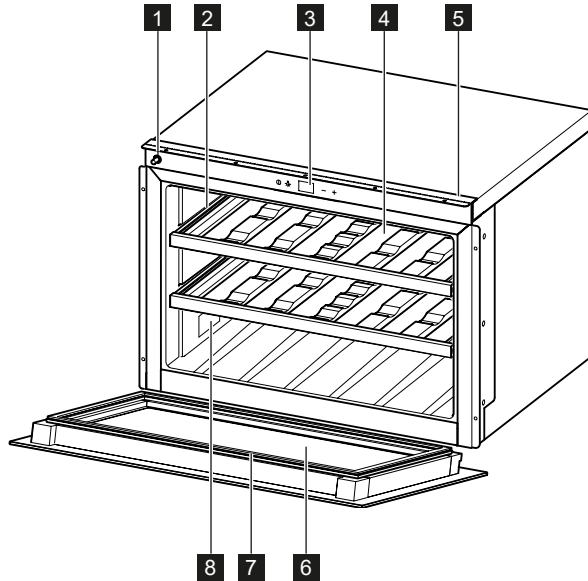
2.5 Disposal



WARNING! Risk of injury or suffocation.

- Disconnect the appliance from the mains supply.
- Cut off the mains cable and discard it.
- Remove the door to prevent children and pets to be closed inside of the appliance.
- The refrigerant circuit and the insulation materials of this appliance are ozone friendly.
- The insulation foam contains flammable gas. Contact your municipal authority for information on how to discard the appliance correctly.
- Do not cause damage to the part of the cooling unit that is near the heat exchanger.

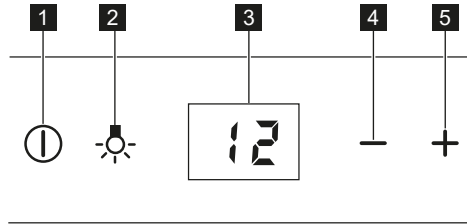
3. PRODUCT DESCRIPTION



- 1** Door Release Mechanism
- 2** Telescopic runners
- 3** Control panel
- 4** Shelves

- 5** Fastening bar
- 6** Door
- 7** Gasket
- 8** Rating plate

4. CONTROL PANEL



1 ON/OFF key

2 Light key

3 Display

4 Temperature colder key

5 Temperature warmer key

4.1 On/Off switch and temperature setting

To switch on the appliance press the ON/OFF key.

The display shows the set default temperature (12°C).

The temperature can be adjusted from 5° to 20°C (with steps of 1°C) by touching the +/- key.

To switch off the appliance press the ON/OFF key for 5 seconds.

4.2 Light Key

When the door is opened, the LED light is on, when closed is off. If you want to keep the light on with the door closed, open the door, and press the light key.

If you want to restore the standard conditions, press the light key again.

4.3 Display

The display shows the temperature set, the error messages, if the demo mode is selected, if the keys are locked.

4.4 Lock keys mode

Press the + key and the light key for 3 seconds to activate the lock keys mode.

The appliance will continue to work with the last settings.

To deactivate the lock keys mode, do the same procedure.

By selecting this function, the message "bl" appears on display touching any key.

4.5 Demo Mode

DEMO MODE has been created for exhibitions and showroom purposes.

The display will be ON with possibility to change the temperatures but the Cooling motor will be OFF.

To activate or deactivate the DEMO MODE, Press + and – simultaneously for 3 seconds.

Display will show the ON for 5 seconds, then the temperature will be showed again.

It is possible to keep the inner led light turned ON also when the door is closed.

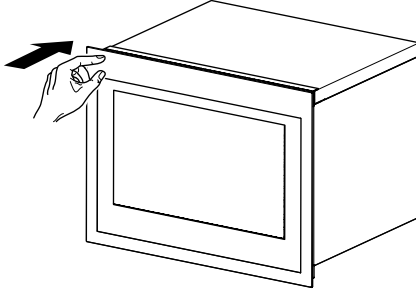
Press the Light key to activate the light ON mode.

5. USE

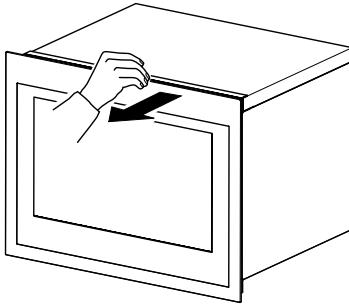
5.1 Door Opening

To open the door:

- push in the left side of the door panel, to open the door



- or pull it



5.2 First Use



Before using the appliance for the first time, wash the interior and all internal accessories with lukewarm water and some neutral soap, then dry thoroughly.



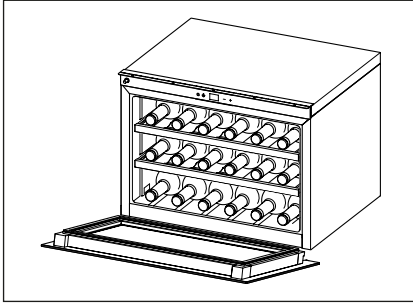
Do not use detergents or abrasive powders, as these will damage the finishing.

To turn on the appliance, press ON/OFF key and adjust temperature according to the wine stored.

5.3 Temperature Recollection Function

In the event of a power cut, the wine cellar can remember the previous temperature setting, and when power is recovered, the temperature will go back to the original.

5.4 Wine Storage



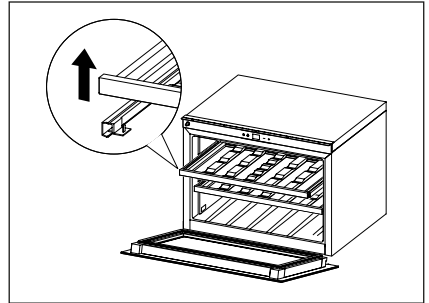
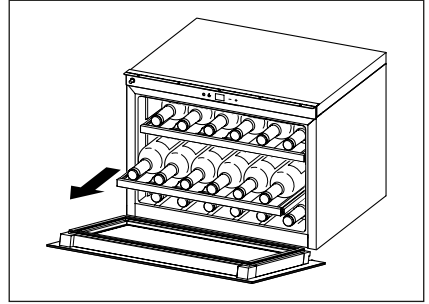
The storage time for wine depends on ageing, the type of grapes, alcoholic content and level of fructose and tannin contained in it. At the time of purchase, check if the wine is already aged or if it will improve over time.

Preservation temperature suggested:

- Champagne/Prosecco and Sparkling wines +6 to +8°C
 - White Wines +10 to +12°C
 - Rosé wines +12 to +16°C
 - Red Wines +14 to +18°C
- (for 750 ml Bordeaux bottles)

Total: 18 bottles

5.5 Wine Shelves



- For easy access to the bottles, pull the shelves out of the rail compartment.

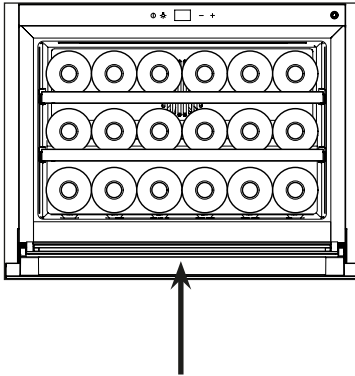


To prevent damaging the door, make sure that the door is fully opened when pulling shelves out.

- To remove or fit the wooden shelves lift or push the shelf.

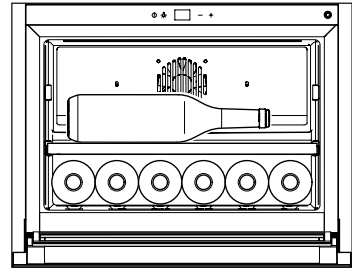
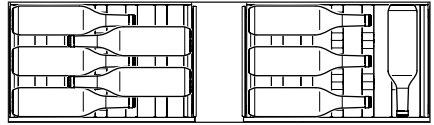
- Standard configuration

To store up to 18 bordeaux bottles placing 6 bottles each level.

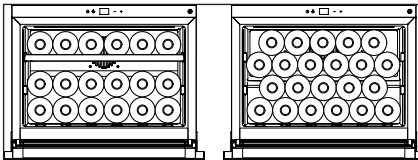


The first level has been designed to accommodate larger and taller bottles.

- Horizontal configuration



To easily store large and tall bottles on the second shelf, can be removed the upper shelf as showed in the picture.



Suitable for large and tall bottles.

By removing the shelves is possible to increase the capacity as showed in the pictures.



WARNING! Please ensure in this case that the bottles do not come in contact with the backwall of the cavity.

6. INSTALLATION

6.1 Positioning

Adequate air ventilation should be around the appliance, to prevent overheating. To achieve sufficient ventilation follow the installation instructions.

Install this appliance at a location where the ambient temperature corresponds to the climate class indicated on the rating plate of the appliance:

Climate class	Ambient temperature
SN	+10 °C to +32 °C
N	+16 °C to +32 °C
ST	+16 °C to +38 °C
T	+16 °C to +43 °C

7. CARE AND MAINTENANCE



CAUTION! Unplug the appliance before carrying out any maintenance operation.



This appliance contains hydrocarbons in its cooling unit; maintenance and recharging must therefore only be carried out by authorized technicians.

7.1 Periodic cleaning

The equipment has to be cleaned regularly:



Do not pull, move or damage any pipes and/or cables inside the cabinet.

Never use detergents, abrasive powders, highly perfumed cleaning products or wax polishes to clean the interior as this will damage the surface and leave a strong odour.

- Clean the inside surfaces with a warm water and baking soda solution. The solution should be about 2 tablespoons of baking soda to a quart of water.
- Clean the shelves with a mild detergent solution.
- Wring excess water out of the sponge or cloth when cleaning area of the controls, or any electrical parts.

- Clean the inside and accessories with lukewarm water and some neutral soap.
- Regularly check the door seals and wipe clean to ensure they are clean and free from debris.
- Rinse and dry thoroughly.

7.2 Periods of non-operation

When the appliance is not in use for long periods, take the following precautions:


- disconnect the appliance from electricity supply.
- remove all items.
- clean the appliance and all accessories.
- leave the door open to prevent unpleasant smells.

8. TROUBLE SHOOTING GUIDE

You can solve many common Wine cellar problems easily, saving you the cost of a possible service call. Try the suggestions.

Problem	Possible cause	Solution
Wine cellar does not operate.	<ul style="list-style-type: none"> • Not plugged in. • The appliance is turned off. • The circuit breaker tripped. • Demo Mode is active. 	<ul style="list-style-type: none"> • Please connect the appliance. • Please turn ON the appliance. • Turn on the circuit breaker. • Deactivate the Demo mode (press +/- for 3sec.).
Wine cellar is not cool enough.	<ul style="list-style-type: none"> • Check the temperature control setting. • The door is not completely closed. • The door gasket does not seal properly. 	<ul style="list-style-type: none"> • Verify the set temperature. • Verify the closure of the door. • Clean the door gasket with a humid sponge using neutral detergent and water.
The compressor operates continuously.	<ul style="list-style-type: none"> • The room temperature is hotter than normal. • The door is opened too often. • The door is not completely closed. • The door gasket does not seal properly. 	<ul style="list-style-type: none"> • Verify the room temperature. • Do not keep the door open longer than necessary. • Verify that the door is completely closed. • Verify the gasket condition and in case clean it with a humid sponge using neutral detergent and water.
The light does not work.	<ul style="list-style-type: none"> • Not plugged in. • The circuit breaker tripped. • The LED has burned out. • The light button is not operating. 	<ul style="list-style-type: none"> • Please connect the appliance. • Turn on the circuit breaker. • Contact the service. • Contact the service.
Too much vibration.	<ul style="list-style-type: none"> • Check that the wine cellar is levelled. 	<ul style="list-style-type: none"> • Level the appliance.
Too much noise.	<ul style="list-style-type: none"> • The rattling noise may come from the flow of the refrigerant, which is normal. • Contraction and expansion of the inside walls may cause popping and crackling noises. • The wine cellar is not level. • Fan is dirty. 	<ul style="list-style-type: none"> • Level the appliance. • Clean the fan from powder. • If the noises become louder contact the service.
The door does not close properly.	<ul style="list-style-type: none"> • The wine cellar is not level. • The door was fixed not properly. • The gasket is dirty. 	<ul style="list-style-type: none"> • Level the appliance. • Verify the closure of the door. • Clean the door gasket with a humid sponge using neutral detergent and water.
Acoustic alarm	<ul style="list-style-type: none"> • The door is not closed (the alarm lasts 30 min). 	<ul style="list-style-type: none"> • Close the door.
E3 is displayed	<ul style="list-style-type: none"> • The door was left open for more than 30 min. • Door reed switch is broken. 	<ul style="list-style-type: none"> • Close the door. • Contact the service.
E1 is displayed and an acoustic alarm will sound every 5 minutes.	<ul style="list-style-type: none"> • The temperature inside the wine cellar is outside the range of -20°C +60°C • The temperature sensor is out of order or disconnected. 	<ul style="list-style-type: none"> • Verify absence of heating from nearest appliances. • Contact the service.
E2 is displayed	<ul style="list-style-type: none"> • Warm coming from nearest appliances. • Ambient temperature is out of the product climate class Range. • Compressor or fan are out of order. 	<ul style="list-style-type: none"> • Verify absence of heating from nearest appliances. • Verify if the product is installed in a place with ambient temperature within declared product climate class. • Contact the service.

9. ENVIRONMENTAL CONCERNS

Recycle the materials with the symbol  Put the packaging in applicable container to recycle it. Help protect the environment and human health and to recycle waste of electrical and electronic appliances.


Do not dispose appliances marked with the symbol  with the household waste. Return the product to your local recycling facility or contact your municipal office.

TABLE DES MATIÈRES

1. INFORMATIONS DE SÉCURITÉ	15
2. CONSIGNES DE SÉCURITÉ	17
3. DESCRIPTION DU PRODUIT	18
4. PANNEAU DE CONTRÔLE	19
5. UTILISATION	20
6. INSTALLATION	23
7. SOIN ET ENTRETIEN	23
8. GUIDE POUR LA RÉOLUTION DES PROBLÈMES	24
9. PROBLÈMES ENVIRONNEMENTAUX	25

POUR DES RÉSULTATS PARFAITS

Nous vous remercions d'avoir choisi un produit AEG. Le produit a été conçu pour garantir de hautes performances pendant de nombreuses années, grâce à des technologies innovantes qui simplifient la vie, caractéristiques que ne garantissent pas tous les dispositifs ordinaires. Quelques minutes suffisent pour lire les instructions et obtenir un fonctionnement optimal du dispositif.

Visiter le site du fabricant pour :



Obtenir conseils utiles, brochures, guides de résolution des problèmes et informations sur les services :

www.aeg.com



Enregistrer le produit pour une meilleure assistance :

www.registreaeg.com



Acheter des accessoires, des consommables et des pièces détachées d'origine pour le dispositif :

www.aeg.com/shop

SOIN ET ENTRETIEN DE LA PART DU CLIENT

Il est recommandé d'utiliser des pièces détachées d'origine.

Avant de contacter l'assistance, veiller à disposer des données suivantes.

Sur la plaque, figurent les informations suivantes : modèle, code article et numéro de série.



Avertissement / Attention - Informations de sécurité.



Informations générales et conseils.



Informations écologiques.

Sujet à modifications sans préavis.

1. INFORMATIONS DE SÉCURITÉ

Avant l'installation et l'utilisation du dispositif, veiller à lire soigneusement les instructions fournies. Le fabricant décline toute responsabilité en cas de dommages et/ou de blessures causés par une mauvaise installation et/ou une utilisation impropre. Veiller à conserver les instructions avec le dispositif pour pouvoir les consulter en cas de besoin.

1.1 Sécurité des enfants et des personnes vulnérables

- Le dispositif objet du présent manuel peut être utilisé par des enfants à partir de 8 ans et par des personnes à capacités physiques, sensorielles ou mentales réduites ou bien ne possédant pas l'expérience ni les connaissances nécessaires, uniquement à condition que ce soit sous surveillance ou d'avoir reçu les instructions relatives à l'utilisation du dispositif dans des conditions de sécurité et à condition d'en avoir compris les dangers.
- Ne pas laisser des enfants jouer avec le dispositif.
- Ne pas laisser les emballages à la portée des enfants.
- Les opérations de nettoyage et d'entretien ne doivent pas être confiées à des enfants sans surveillance.

1.2 Sécurité générale

- Le dispositif est prévu pour être utilisé pour des applications domestiques ou similaires telles que :
 - Agritourismes, zones de cuisine repas pour le personnel de magasins, bureaux et autres lieux de travail ;
 - Utilisation dans des hôtels, motels et bed&breakfast (pour les clients) et autres espaces de type résidentiel ;
- Utiliser le dispositif uniquement pour la conservation du vin.

- Maintenir les ouvertures de ventilation, présentes sur l'unité externe ou dans la structure incorporée, libres de toute obstruction.
- Ne pas utiliser de dispositifs mécaniques ni de moyens pour accélérer la décongélation autres que ceux conseillés par le fabricant.
- Ne pas endommager le circuit de réfrigération.
- Ne pas utiliser d'électroménagers à l'intérieur des compartiments de conservation des aliments du dispositif, à moins qu'ils ne soient du type conseillé par le fabricant.
- Pour nettoyer le dispositif ne pas vaporiser d'eau ni de vapeur.
- Nettoyer le dispositif uniquement avec un chiffon humidifié. Utiliser exclusivement des détergents neutres. Ne pas utiliser de produits abrasifs, chiffons abrasifs, de solvants et d'objets métalliques.
- Ne pas conserver dans le dispositif des substances explosives (bombe aérosol contenant du gaz inflammable).
- Dans le cas où le câble d'alimentation serait endommagé, il doit être changé par le fabricant, par un technicien d'assistance ou une personne qualifiée afin de prévenir tout danger.

2. INSTRUCTIONS DE SÉCURITÉ

2.1 Installation



AVERTISSEMENT! Le dispositif doit être installé uniquement par une personne qualifiée.

- Retirer tous les emballages.
- Ne pas installer ni utiliser le dispositif dans le cas où il serait endommagé.
- Veiller à respecter les instructions d'installation fournies avec le dispositif.
- Veiller à observer la prudence nécessaire lors du déplacement du dispositif : il est lourd. Veiller au port de gants de sécurité.
- S'assurer que l'air peut circuler autour du dispositif.
- Attendre au moins 4 heures avant de brancher le dispositif à l'alimentation. Cela permet à l'huile de revenir dans le compresseur.
- Ne pas installer le dispositif à proximité de radiateurs, fours ou plaques chauffantes. Le dos du dispositif doit être orienté vers le mur.
- Ne pas installer le dispositif exposé directement à la lumière du soleil.
- Ne pas installer le dispositif à un endroit excessivement humide ou froid (extérieur, garages ou caves par exemple).
- Pour le déplacement du dispositif, le soulever par le bord antérieur pour éviter de rayer le sol.

2.2. Branchement électrique



AVERTISSEMENT! Risque d'incendie et de décharges électriques.


- Le dispositif doit être branché à la terre.
- Tous les branchements électriques doivent être confiés à un électricien qualifié.
- S'assurer que les données électriques figurant sur la plaque correspondent à l'alimentation.
- Si tel n'est pas le cas, contacter un électricien.
- Veiller à toujours utiliser une prise résistante aux chocs et correctement installée.

- Ne pas utiliser d'adaptateur, de prise multiple ni de rallonge.
- Veiller à ne pas causer de dommages aux composants électriques (fiche d'alimentation, câble d'alimentation et compresseur). Pour changer les composants électriques, contacter l'assistance ou faire appel à un électricien.
- Le câble d'alimentation doit rester sous le niveau de la fiche d'alimentation.
- Brancher la fiche d'alimentation à la prise de courant uniquement une fois l'installation terminée. Une fois l'installation terminée, s'assurer qu'il est possible d'accéder à la fiche d'alimentation.
- Pour débrancher le dispositif, ne pas tirer le câble d'alimentation. Tirer la fiche d'alimentation.

2.3 Utilisation



AVERTISSEMENT! Risque d'incendie et de décharges électriques.

- Ne pas modifier les caractéristiques du dispositif.
- Ne pas placer d'électroménagers (sorbetière par exemple) dans le dispositif à moins que le fabricant ne l'autorise.
- 
 Veiller à ne pas endommager le circuit réfrigérant. Il contient de l'isobutane (R600a), un gaz naturel hautement compatible avec l'environnement. Ce gaz est inflammable.
- En cas de dommage subi par le circuit réfrigérant, s'assurer de l'absence de flammes et de sources d'ignition dans la pièce. Ventiler la pièce.
- Ne pas laisser des objets chauds toucher les parties en plastique du dispositif.
- Ne pas conserver des gaz et des liquides inflammables dans le dispositif.
- Ne pas placer de produits inflammables ni d'objets mouillés par des produits inflammables dans, à proximité ou sur le dispositif.
- Ne pas toucher le compresseur ni le condensateur.
- Leur température est élevée.

2.4 Soins et nettoyage



AVERTISSEMENT! Risque de blessures ou de dommages causés au dispositif.

- Avant toute intervention d'entretien, éteindre le dispositif et débrancher la fiche d'alimentation de la prise de courant.
- L'unité de refroidissement du dispositif contient des hydrocarbures. Seule une personne qualifiée doit effectuer l'entretien et la charge de l'unité.
- Contrôler régulièrement l'évacuation du dispositif et si nécessaire la nettoyer. Si l'évacuation est bloquée, l'eau décongelée s'accumule sur la partie inférieure du dispositif.

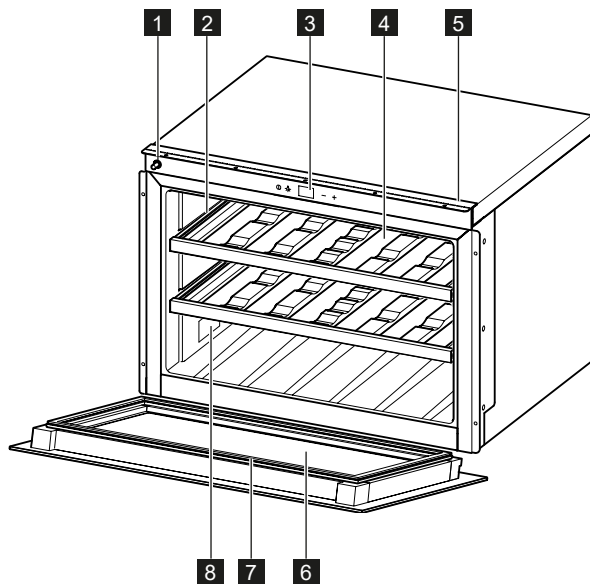
2.5 Mise au rebut



AVERTISSEMENT! Risque de blessures et d'étouffement.

- Débrancher le dispositif de l'alimentation.
- Détacher le câble d'alimentation et l'éliminer.
- Retirer la porte pour éviter que des enfants ou des animaux ne restent enfermés dans le dispositif.
- Le circuit réfrigérant et les matériaux d'isolation du dispositif respectent l'environnement.
- La mousse isolante contient du gaz inflammable. Contacter les autorités locales pour plus d'informations sur la bonne élimination du dispositif.
- Ne pas endommager la partie de l'unité de refroidissement située près de l'échangeur de chaleur.

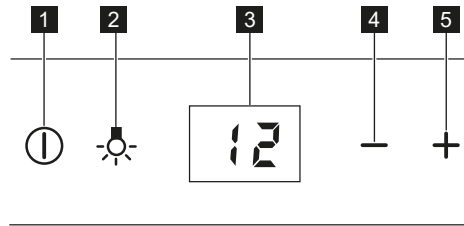
3. DESCRIPTION DU DISPOSITIF



- 1** Mécanisme relâchement porte
- 2** Guides télescopiques
- 3** Panneau de contrôle
- 4** Étagères

- 5** Barre de fixation
- 6** Porte
- 7** Garniture
- 8** Plaque

4. PANNEAU DE CONTRÔLE



- 1** Touche ON/OFF
- 2** Touche éclairage
- 3** Écran

- 4** Touche température plus froide
- 5** Touche température plus chaude

4.1 Interrupteur on/off et réglage de la température

Pour allumer le dispositif, appuyer sur la touche ON/OFF.

L'écran affiche la température prédéfinie (12°C).

En appuyant sur la touche -/+, il est possible de régler la température de 5 à 20°C (par unité de 1°C).

Pour éteindre le dispositif, appuyer sur la touche ON/OFF pendant 5 secondes.

4.2 Touche éclairage

Quand la porte est ouverte, la lumière à LED est allumée, quand la porte est fermée, elle est éteinte. Pour maintenir la lumière allumée alors que la porte est fermée, ouvrir celle-ci et appuyer sur la touche éclairage.

Pour rétablir les conditions standard, appuyer à nouveau sur la touche éclairage.

4.3 Écran

L'écran affiche la température programmée et les messages d'erreur, si la modalité Démo est sélectionnée et si les touches sont bloquées.

4.4 Modalité Blocage touches

Pour activer la modalité Blocage touches, appuyer sur la touche + et sur la touche éclairage pendant 3 secondes.

Le dispositif continue de fonctionner conformément aux derniers réglages.

Pour désactiver la modalité Blocage touches, effectuer la même opération.

En sélectionnant cette fonction, si une quelconque touche est enfoncée, l'écran affiche le message « bl ».

4.5 Modalité Démo

La MODALITÉ DÉMO a été prévue pour le fonctionnement à l'occasion de salons et dans les showrooms.

L'écran est ALLUMÉ, il est possible de modifier les température mais le moteur de refroidissement est ÉTEINT.

Pour activer ou désactiver la MODALITÉ DÉMO, appuyer simultanément sur les touches + et - pendant 3 secondes.

Il est possible de maintenir la lumière à LED interne allumée y compris quand la porte est fermée.

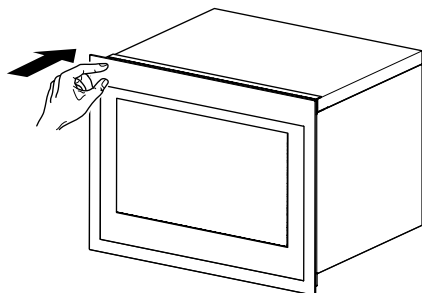
Pour activer la modalité lumière ALLUMÉE, appuyer sur la touche éclairage.

5. UTILISATION

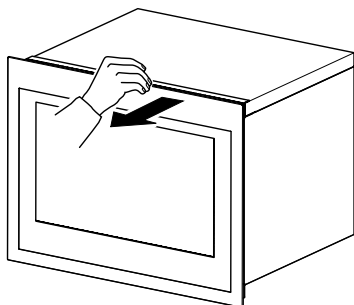
5.1 Ouverture de la porte

Pour ouvrir la porte :

- pousser le côté gauche de la porte



- ou le tirer



5.2 Première utilisation

i Avant la première utilisation du dispositif, laver l'intérieur et tous les accessoires internes à l'aide d'eau tiède et d'un peu de savon neutre, puis bien essuyer.

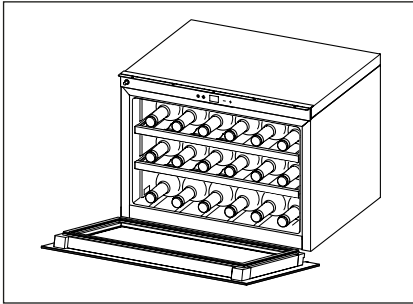
! Ne pas utiliser de détergents ni de poudres abrasives pour ne pas endommager les finitions.

Pour allumer le dispositif, appuyer sur la touche ON/OFF et régler la température en fonction du vin à conserver.

5.3 Fonction mémoire température

En cas de coupure de courant, la cave à vin est en mesure de conserver en mémoire le réglage précédemment effectué de la température et après retour de l'alimentation électrique, cette température est rétablie.

5.4 Conservation du vin



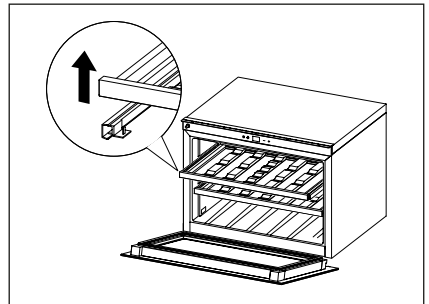
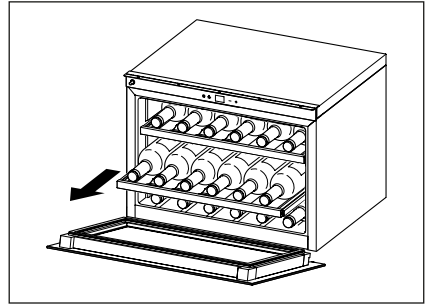
Le temps de conservation du vin dépend du vieillissement, du type de cépage, du degré d'alcool et de la teneur en fructose et tannins. Au moment de l'achat, établir si le vin a déjà vieilli ou s'il peut encore se bonifier avec le temps.

Température de conservation recommandée :

- Champagne/Crémant et vins pétillants : de +6 à +8°C
- Vins blancs : de +10 à +12°C
- Vins rosés : de +12 à +16°C
- Vins rouges : de +14 à +18°C

(pour bouteilles de Bordeaux de 750 ml)
Total : 18 bouteilles

5.5 Étagères pour le vin



- pour accéder facilement aux bouteilles, extraire les étagères du compartiment.

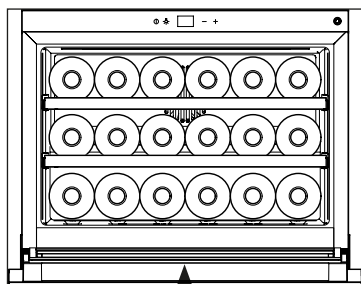


Pour éviter d'endommager la porte, s'assurer qu'elle est entièrement ouverte avant d'extraire les étagères.

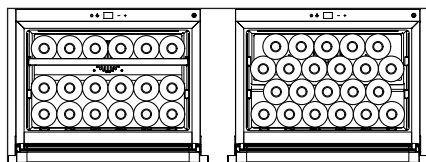
- Pour retirer ou monter les étagères en bois, les soulever ou les pousser.

- Configuration standard

Pour conserver jusqu'à 18 bouteilles de Bordeaux, placer 6 bouteilles sur chaque niveau.



Le premier niveau est prévu pour y placer les bouteilles les plus grandes et les plus hautes.



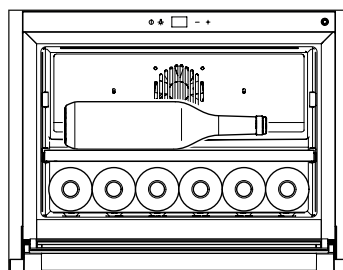
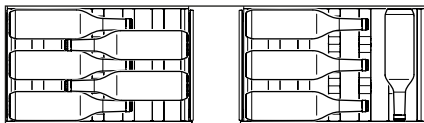
Pour bouteilles grandes et hautes

En retirant les étagères, il est possible d'augmenter la capacité comme indiqué sur les figures.



AVERTISSEMENT! Dans ce cas, s'assurer que les bouteilles ne sont pas au contact de la paroi postérieure du compartiment.

- Configuration horizontale



Pour conserver facilement des bouteilles grandes et hautes sur la deuxième étagère, il est possible de retirer l'étagère supérieure comme indiqué sur la figure.

6. INSTALLATION

6.1 Positionnement

Autour du dispositif, une bonne ventilation d'air doit être garantie pour éviter la surchauffe. Pour obtenir une ventilation suffisante, suivre les instructions d'installation.

Installer le dispositif dans une position où la température ambiante correspond à la classe climatique indiquée sur la plaque du dispositif :

Classe climatique	Température ambiante
SN	de +10°C à +32°C
N	de +16 °C à +32°C
ST	de +16 °C à +38 °C
T	de +16 °C à +43 °C

7. SOIN ET ENTRETIEN



ATTENTION! Avant d'effectuer toute intervention d'entretien, débrancher le dispositif.



Le dispositif contient des hydrocarbures, dans l'unité de refroidissement ; aussi, l'entretien et la recharge doit être confiés à un technicien agréé.

- Nettoyer l'intérieur et les accessoires à l'eau tiède et avec un peu de savon neutre.
- Contrôler et nettoyer régulièrement les joints de la porte pour s'assurer de leur propreté et en éliminer les éventuels résidus.
- Rincer et bien essuyer.

7.1 Nettoyage périodique

Le dispositif doit être régulièrement nettoyé.



Ne pas tirer ni déplacer les tuyaux ni les câbles à l'intérieur de l'unité et veiller à ne pas les endommager.

Pour nettoyer l'intérieur, ne jamais utiliser de détergents, de poudres abrasives, de produits de nettoyage particulièrement parfumés, ni de cires : de tels produits peuvent endommager les surfaces et laisser une forte odeur.

7.2 Période d'arrêt

En cas d'arrêt prolongé du dispositif, veiller à respecter les précautions suivantes :


- Débrancher le dispositif de l'alimentation.
 - Retirer tous les éléments.
 - Nettoyer le dispositif et tous les accessoires.
 - Laisser la porte ouverte pour prévenir la formation de mauvaises odeurs.
- Laver les surfaces internes avec une solution d'eau tiède et de bicarbonate de soude. La solution doit être constituée d'environ 2 cuillères de bicarbonate de soude pour un litre d'eau.
 - Laver les étagères avec une solution détergente délicate.
 - Essorer l'éponge ou le chiffon pour nettoyer la zone des commandes ou toute partie électrique.

8. GUIDE POUR LA RÉOLUTION DES PROBLÈMES


Il est possible de résoudre facilement par soi-même de nombreux problèmes qui peuvent se présenter sur la cave à vin et éviter ainsi le coût d'un appel d'assistance technique. Suivre les conseils suivants.

Problème	Cause possible	Solution
La cave à vin ne fonctionne pas.	<ul style="list-style-type: none"> • Câble d'alimentation non branché. • Le dispositif est éteint. • L'interrupteur est sur OFF. • La modalité démo est active. 	<ul style="list-style-type: none"> • Brancher le dispositif. • Allumer le dispositif. • Placer l'interrupteur sur ON. • Désactiver la modalité démo (appuyer sur +/- pendant 3 secondes).
La cave à vin n'est pas suffisamment froide.	<ul style="list-style-type: none"> • Contrôler le réglage de contrôle température. • La porte est mal fermée. • Le joint de la porte ne garantit pas la bonne isolation. 	<ul style="list-style-type: none"> • Contrôler la température programmée. • S'assurer que la porte est fermée. • Nettoyer le joint de la porte avec une éponge humidifiée de détergent neutre et d'eau.
Le compresseur fonctionne sans arrêt.	<ul style="list-style-type: none"> • La température ambiante est supérieure à la normale. • La porte est trop souvent ouverte. • La porte est mal fermée. • Le joint de la porte ne garantit pas la bonne isolation. 	<ul style="list-style-type: none"> • Contrôler la température ambiante. • Ne pas laisser la porte ouverte plus que nécessaire. • S'assurer que la porte est parfaitement fermée. • Contrôler l'état du joint et, au besoin, le nettoyer avec une éponge humidifiée de détergent neutre et d'eau.
La lumière ne fonctionne pas.	<ul style="list-style-type: none"> • Câble d'alimentation non branché. • L'interrupteur est sur OFF. • La LED est grillée. • Le bouton de la lumière ne fonctionne pas. 	<ul style="list-style-type: none"> • Brancher le dispositif. • Placer l'interrupteur sur ON. • Contacter l'assistance. • Contacter l'assistance.
Vibrations excessives.	<ul style="list-style-type: none"> • S'assurer que la cave à vin est parfaitement à l'horizontale. 	<ul style="list-style-type: none"> • Mettre la cave à vin parfaitement à l'horizontale.
Bruit excessif.	<ul style="list-style-type: none"> • Le bruit mécanique peut être dû au flux de réfrigérant ; ce bruit est normal. • La contraction et l'expansion des parois internes peuvent produire des bruits secs et des craquements. • La cave à vin n'est pas parfaitement à l'horizontale. • Le ventilateur est sale. 	<ul style="list-style-type: none"> • Mettre la cave à vin parfaitement à l'horizontale. • Éliminer la poussière du ventilateur. • Si le bruit augmente, contacter l'assistance.
La porte est mal fermée.	<ul style="list-style-type: none"> • La cave à vin n'est pas parfaitement à l'horizontale. • La porte a été mal fixée. • Le joint est sale. 	<ul style="list-style-type: none"> • Mettre la cave à vin parfaitement à l'horizontale. • S'assurer que la porte est fermée. • Nettoyer le joint de la porte avec une éponge humidifiée de détergent neutre et d'eau.
Alarme sonore.	<ul style="list-style-type: none"> • La porte est mal fermée (l'alarme dure 30 min.). 	<ul style="list-style-type: none"> • Fermer la porte,
E3 s'affiche.	<ul style="list-style-type: none"> • La porte a été laissée ouverte pendant plus de 30 min. • Rupture de l'interrupteur reed de la porte. 	<ul style="list-style-type: none"> • Fermer la porte, • Contacter l'assistance.
E1 s'affiche et un signal sonore d'alarme est émis toutes les 5 minutes.	<ul style="list-style-type: none"> • La température interne de la cave à vin n'est pas comprise entre -20°C et +60°C. • Le capteur de température est hors d'usage ou débranché. 	<ul style="list-style-type: none"> • S'assurer qu'aucun dispositif situé à proximité n'émet de la chaleur. • Contacter l'assistance.
E2 s'affiche.	<ul style="list-style-type: none"> • Les dispositifs situés à proximité émettent de la chaleur. • La température ambiante n'est pas comprise dans l'intervalle de la classe climatique du dispositif. • Le compresseur ou le ventilateur est hors d'usage. 	<ul style="list-style-type: none"> • S'assurer qu'aucun dispositif situé à proximité n'émet de la chaleur. • S'assurer que la cave à vin est installée à un endroit où la température ambiante est comprise dans l'intervalle de la classe climatique du dispositif. • Contacter l'assistance.

9. PROBLÈMES ENVIRONNEMENTAUX

Recycler les matériaux marqués du symbole .

Jeter les emballages dans des poubelles de tri sélectif. Protéger l'environnement et la santé en recyclant les déchets des équipements électriques et électroniques.

Ne pas jeter avec les déchets domestiques les dispositifs marqués du symbole . Amener le dispositif sur un site de recyclage ou contacter les services communaux.

INHALT

1. SICHERHEITSHINWEISE	27
2. SICHERHEITSHINWEISE	29
3. PRODUKTBESCHREIBUNG	30
4. BEDIENFELD	31
5. GEBRAUCH	32
6. INSTALLATION	35
7. PFLEGE UND WARTUNG	35
8. ANLEITUNG ZUR FEHLERSUCHE	36
9. UMWELTANLIEGEN	37

FÜR PERFEKTE ERGEBNISSE

Vielen Dank, dass Sie dieses AEG-Produkt gewählt haben. Wir haben es hergestellt, um Ihnen viele Jahre eine optimale Leistung zu liefern, mit innovativen Technologien, die das Leben einfacher machen und Funktionen, die Sie bei gewöhnlichen Geräten vielleicht nicht finden. Nehmen Sie sich zum Lesen ein paar Minuten Zeit, um das Produkt optimal zu nutzen.

Besuchen Sie unsere Webseite, um:



Anwendungsberatung, Broschüren, Troubleshooter, Serviceinformationen zu erhalten:

www.aeg.com



Ihr Produkt für besseren Service zu registrieren:

www.registeraeg.com



Zubehör, Verbrauchsmaterialien und Originalersatzteile für Ihr Gerät zu kaufen:

www.aeg.com/shop

KUNDENBETREUUNG UND -DIENST

Wir empfehlen, Originalersatzteile zu verwenden.

Wenn Sie den Service kontaktieren, sorgen Sie dafür, dass Sie folgende Informationen bereithalten.

Die Informationen finden Sie auf dem Typenschild. Modell, PNC, Seriennummer.



Warn- / Vorsichts-Sicherheitshinweise.



Allgemeine Informationen und Tipps.



Umgebungsinformationen.

Technische Änderungen vorbehalten.

1. SICHERHEITSHINWEISE

Lesen Sie vor der Installation und der Verwendung des Gerätes genau die mitgelieferte Anleitung. Der Hersteller ist nicht verantwortlich, wenn eine unsachgemäße Installation und Benutzung Verletzungen und Schäden verursacht. Bewahren Sie die Anleitung für späteren Verweis immer mit dem Gerät auf.

1.1 Sicherheit für Kinder und schutzbedürftige Personen

- Dieses Gerät kann von Kindern ab 8 Jahren und Personen mit reduzierten körperlichen, sensorischen oder geistigen Fähigkeiten oder mangelnder Erfahrung und Kenntnis verwendet werden, wenn sie beaufsichtigt werden oder Anleitung für die sichere Nutzung des Geräts erhalten und die davon ausgehenden Gefahren verstehen.
- Lassen Sie Kinder nicht mit dem Gerät spielen.
- Halten Sie die Verpackung von Kindern fern.
- Reinigung und Benutzerwartung dürfen von Kindern nicht ohne Aufsicht durchgeführt werden.

1.2 Allgemeine Sicherheit

- Dieses Gerät soll im Haushalt und ähnlichen Einsatzbereichen verwendet werden, wie:
 - Bauernhäuser; Personal Küchenbereiche in Geschäften, Büros und andere Arbeitsumgebungen
 - Von Kunden in Hotels, Motels, Bed & Breakfast und anderen Wohnumgebungen
- Verwenden Sie dieses Gerät nur zur Weinlagerung.
- Halten Sie Lüftungsöffnungen im Gerätegehäuse oder in der eingebauten Struktur frei.
- Verwenden Sie keine mechanischen Vorrichtungen oder andere Mittel, um den Abtauvorgang zu beschleunigen, außer den vom Hersteller empfohlenen.
- Beschädigen Sie den Kältekreislauf nicht.

- Verwenden Sie keine elektrischen Geräte in den Lebensmittel-Lagerfächern des Gerätes, außer sie werden vom Hersteller empfohlen.
- Verwenden Sie zur Reinigung des Gerätes keinen Wasserspritzstrahl oder Dampf.
- Reinigen Sie das Gerät mit einem feuchten weichen Tuch. Verwenden Sie nur neutrale Reinigungsmittel. Verwenden Sie keine Scheuermittel, Scheuerhilfen, Lösungsmittel oder Metallgegenstände.
- Lagern Sie keine explosiven Stoffe wie Sprühdosen mit einem brennbaren Treibgas in diesem Gerät.
- Wenn das Stromkabel beschädigt ist, muss es vom Hersteller, seinem Serviceleister oder ähnlich qualifizierten Personen ausgetauscht werden, um eine Gefährdung zu vermeiden.

2. SICHERHEITSHINWEISE

2.1 Installation



WARNUNG! Nur eine qualifizierte Person darf dieses Gerät installieren

- Entfernen Sie die ganze Verpackung.
- Installieren oder verwenden Sie kein beschädigtes Gerät.
- Befolgen Sie die mitgelieferte Installationsanleitung.
- Seien Sie beim Bewegen des Gerätes immer vorsichtig, es ist schwer. Tragen Sie immer Schutzhandschuhe.
- Stellen Sie sicher, dass Luft um das Gerät herum zirkulieren kann.
- Warten Sie mindestens 4 Stunden, bevor Sie das Gerät an die Stromversorgung anschließen. So kann das Öl in den Kompressor zurückfließen.
- Installieren Sie das Gerät nicht in der Nähe von Heizkörpern oder Herden, Backofen oder Kochstellen. Die Rückseite des Gerätes muss an der Wand stehen.
- Installieren Sie das Gerät nicht dort, wo direktes Sonnenlicht einfällt.
- Installieren Sie dieses Gerät nicht in Bereichen, die zu feucht oder zu kalt sind, wie Bauanhängen, Garagen oder Weinkeller.
- Wenn Sie das Gerät bewegen, heben Sie es an der Vorderkante an, damit der Boden nicht zerkratzt wird.

2.2 Elektrische Anschlüsse



WARNUNG! Brand- und Stromschlag-Gefahr.


- Das Gerät muss geerdet sein.
- Alle elektrischen Anschlüsse müssen von einem qualifizierten Elektriker durchgeführt werden.
- Vergewissern Sie sich, dass die elektrischen Informationen auf dem Typenschild mit der Stromversorgung übereinstimmen.
- Ist dies nicht der Fall, wenden Sie sich an einen Elektriker.
- Verwenden Sie immer eine korrekt installierte stoßfeste Steckdose.

- Verwenden Sie keine Mehrfachstecker-Adapter und Verlängerungskabel.
- Achten Sie darauf, dass die elektrischen Komponenten (z. B. Netzstecker, Netzkabel, Kompressor) nicht beschädigt werden. Wenden Sie sich an den Service oder einen Elektriker, um die elektrischen Komponenten auszutauschen.
- Das Netzkabel muss sich unter dem Netzstecker befinden.
- Stecken Sie den Netzstecker erst am Ende der Installation in die Steckdose. Sorgen Sie dafür, dass nach der Installation ein Zugang zu dem Netzstecker vorhanden ist.
- Ziehen Sie nicht am Netzkabel, um das Gerät auszustecken. Ziehen Sie immer am Netzstecker.

2.3 Gebrauch



WARNUNG! Brand- und Stromschlag-Gefahr.

- Ändern Sie die technischen Daten dieses Gerätes nicht.
- Stellen Sie keine elektrischen Geräte (z.B. Eismaschinen) in das Gerät, außer sie werden vom Hersteller als anwendbar angegeben.
- 
 Passen Sie auf, dass der Kältekreislauf nicht beschädigt wird. Er enthält Isobutan (R600a), ein Erdgas mit einer hohen Umweltverträglichkeit. Dieses Gas ist brennbar.
- Wird der Kältekreislauf beschädigt, sorgen Sie dafür, dass es im Raum keine Flammen und Zündquellen gibt. Lüften Sie den Raum.
- Achten Sie darauf, dass die Plastikteile des Gerätes nicht mit heißen Gegenständen in Kontakt kommen.
- Lagern Sie kein brennbares Gas und keine brennbare Flüssigkeit im Gerät.
- Legen Sie keine brennbaren Produkte oder Gegenstände, die nass sind, mit brennbaren Produkten in, in die Nähe oder auf das Gerät.
- Berühren Sie den Kompressor oder den Kondensator nicht.
- Sie sind heiß.

2.4 Pflege und Reinigung



WARNUNG! Gefahr von Verletzung oder Schaden am Gerät

- Deaktivieren und stecken Sie das Gerät vor der Wartung aus.
- Dieses Gerät enthält Kohlenwasserstoffe in der Kühleinheit. Nur eine qualifizierte Person darf die Wartung und das Wiederaufladen des Gerätes durchführen.
- Prüfen Sie regelmäßig den Ablauf des Gerätes und reinigen Sie ihn bei Bedarf. Wenn der Abfluss blockiert ist, sammelt sich aufgetautes Wasser am Boden des Gerätes.

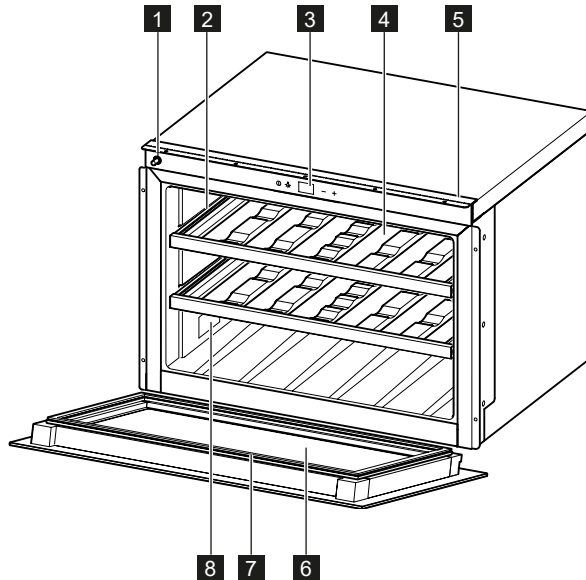
2.5 Entsorgung



WARNUNG! Verletzungs- oder Erstickengefahr

- Stecken Sie das Gerät aus.
- Schneiden Sie das Netzkabel ab und entsorgen Sie es.
- Entfernen Sie die Tür, damit Kinder und Haustiere nicht im Gerät eingeschlossen werden.
- Der Kältekreislauf und die Isoliermaterialien dieses Gerätes sind ozonfreundlich.
- Der Isolierschaum enthält brennbares Gas. Wenden Sie sich an Ihre Stadtbehörde, um Informationen darüber zu erhalten, wie Sie das Gerät ordnungsgemäß entsorgen können.
- Beschädigen Sie den Teil der Kühleinheit beim Wärmetauscher nicht.

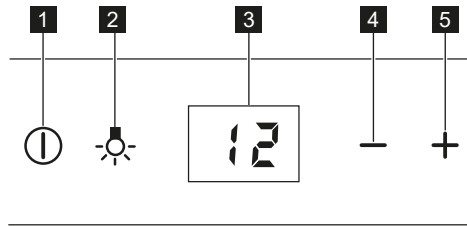
3. PRODUKTBESCHREIBUNG



- 1** Türfreigabemechanismus
- 2** Teleskop-Läufer
- 3** Bedienfeld
- 4** Regale

- 5** Befestigungsleiste
- 6** Tür
- 7** Dichtung
- 8** Typenschild

4. BEDIENFELD



- 1** EIN-/AUS-TASTE
- 2** Lichttaste
- 3** Anzeige

- 4** Taste kältere Temperatur
- 5** Taste wärmere Temperatur

4.1 Ein-/Aus-Schalter und Temperatureinstellung

Um das Gerät einzuschalten, drücken Sie die EIN-/AUS-Taste.

Die Anzeige zeigt die eingestellte Standardtemperatur an (12°C).

Die Temperatur kann von 5° bis 20°C (mit Schritten von 1°C) durch Berühren der Taste +/- eingestellt werden.

Um das Gerät abzuschalten, drücken Sie die EIN-/AUS-Taste 5 Sekunden lang.

4.2 Lichttaste

Wenn die Tür geöffnet ist, leuchtet die LED-Anzeige, wenn sie geschlossen ist, ist sie aus. Wenn Sie das Licht mit geschlossener Tür eingeschaltet haben wollen, öffnen Sie die Tür und drücken die Lichttaste.

Wenn Sie die Standardbedingungen wieder herstellen möchten, drücken Sie die Lichttaste erneut.

4.3 Anzeige

Die Anzeige zeigt die eingestellte Temperatur und die Fehlermeldungen an, wenn der Demo-Modus gewählt ist und die Tasten gesperrt sind.

4.4 Tastenverriegelungs-Modus

Drücken Sie die Taste + und die Lichttaste 3 Sekunden lang, um den Tastenverriegelungs-Modus zu aktivieren.

Das Gerät arbeitet mit den letzten Einstellungen weiter.

Zur Deaktivierung des Tastenverriegelungs-Modus führen Sie dasselbe Verfahren durch.

Durch Auswahl dieser Funktion erscheint die Nachricht „bl“ auf der Anzeige, wenn Sie eine Taste berühren.

4.5 Demo-Modus

DEMO-MODUS wurde für Ausstellungen und Ausstellungsraum angelegt.

Die Anzeige ist EIN, mit der Möglichkeit, die Temperaturen zu ändern, der Kühlmodus ist aber AUS.

Zur Aktivierung oder Deaktivierung des DEMO-MODUS drücken Sie 3 Sekunden lang gleichzeitig + und -.

Die innere LED-Leuchte kann auch EINGESCHALTET bleiben, wenn die Tür geschlossen ist.

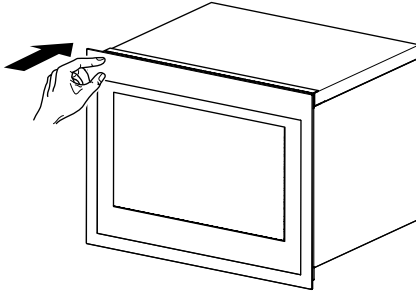
Drücken Sie die Lichttaste zur Aktivierung des Licht EIN-Modus.

5. GEBRAUCH

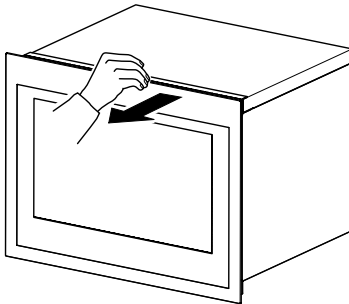
5.1 Türöffnung

Öffnen der Tür:

- um die Tür zu öffnen, drücken Sie gegen das linke Türblatt.



- oder ziehen Sie an ihr.



5.2 Erste Benutzung



Bevor Sie das Gerät zum ersten Mal benutzen, waschen Sie den Innenraum und alle inneren Zubehörteile mit lauwarmem Wasser und etwas neutraler Seife und trocknen dann gründlich.



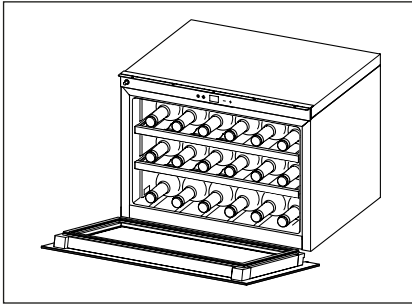
Verwenden Sie keine Reinigungs- oder Scheuermittel, da diese die Oberfläche beschädigen.

Um das Gerät einzuschalten, drücken Sie die EIN-/AUS-Taste und stellen die Temperatur nach dem gelagerten Wein ein.

5.3 Funktion Temperaturem- nerung

Im Falle eines Stromausfalls kann sich der Weinkeller an die vorherige Temperatureinstellung erinnern, und wenn die Stromversorgung wiederhergestellt ist, geht die Temperatur wieder auf die ursprüngliche zurück.

5.4 Weinlagerung



Die Lagerungszeit für Wein hängt von der Alterung, der Traubenart, dem Alkoholgehalt und dem Gehalt an Fruktose und Tannin ab. Prüfen Sie beim Kauf, ob der Wein bereits gealtert ist oder im Laufe der Zeit besser wird.

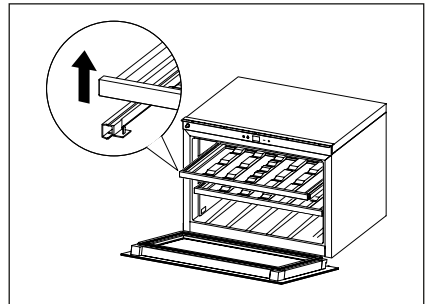
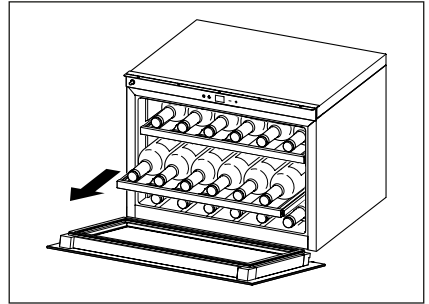
Empfohlene Aufbewahrungstemperatur:

- Champagner/Prosecco und Schaumweine +6 bis +8°C
- Weißweine +10 bis +12°C
- Rosé-Weine +12 bis +16°C
- Rotweine +14 bis +18°C

(für 750 ml Bordeaux-Flaschen)

Gesamt: 18 Flaschen

5.5 Weinregale



- Für einen leichten Zugang zu den Flaschen ziehen Sie die Regale aus dem Schienenfach.

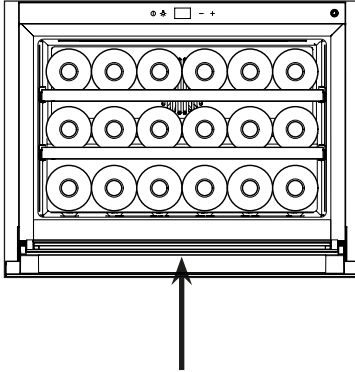


Um die Tür nicht zu beschädigen, sorgen Sie dafür, dass sie vollständig geöffnet ist, wenn Sie Regale herausziehen.

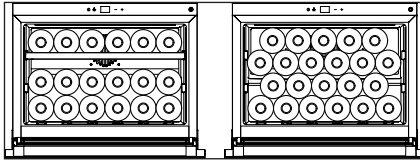
- Um die Holzregale zu entfernen oder zu montieren, heben oder schieben Sie das Regal.

- Standardkonfiguration

Lagerung von bis zu 18 Bordeaux-Flaschen mit 6 Flaschen auf jeder Ebene.



Die erste Ebene dient zur Lagerung größerer und höherer Flaschen.



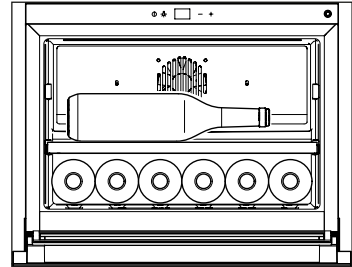
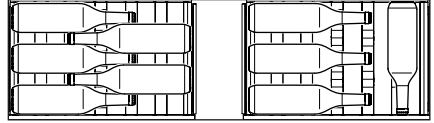
Geeignet für große und hohe Flaschen.

Durch Entfernen der Regale kann das Fassungsvermögen wie in der Abbildung gezeigt vergrößert werden.



WARNUNG! Bitte stellen Sie in diesem Fall sicher, dass die Flaschen nicht mit der Rückwand der Kammer in Berührung kommen.

- Horizontale Konfiguration



Um große und hohe Flaschen auf dem zweiten Regal einfach zu lagern, kann das obere Regal wie in der Abbildung gezeigt herausgenommen werden.

6. INSTALLATION

6.1 Positionierung

Um das Gerät herum sollte genügend Belüftung sein, um Überhitzung zu vermeiden. Befolgen Sie die Installationsanleitung, um eine ausreichende Belüftung zu erhalten.

Installieren Sie dieses Gerät an einem Ort, an dem die Umgebungstemperatur der Klimaklasse entspricht, die auf dem Typenschild des Gerätes angegeben ist:

Klimaklasse	Umgebungstemperatur
SN	+10 °C bis +32 °C
N	+16 °C bis +32 °C
ST	+16 °C bis +38 °C
T	+16 °C bis +43 °C

7. PFLEGE UND WARTUNG



VORSICHT! Stecken Sie vor Wartungsarbeiten das Gerät aus.



Dieses Gerät enthält Kohlenwasserstoffe in seiner Kühleinheit; Wartung und Wiederaufladung dürfen daher nur von autorisierten Technikern durchgeführt werden.

- Reinigen Sie das Innere und Zubehörteile mit lauwarmem Wasser und etwas Neutraleife.
- Überprüfen Sie regelmäßig die Türdichtungen und wischen Sie sie ab, um sicherzustellen, dass sie sauber und schmutzfrei sind.
- Gründlich spülen und trocknen.

7.1 Regelmäßige Reinigung

Die Anlage muss regelmäßig gereinigt werden.



Ziehen, bewegen oder beschädigen Sie keine Rohre und/oder Kabel im Schrank.

Verwenden Sie niemals Reinigungsmittel, Scheuerpulver, stark parfümierte Reinigungsmittel oder Wachspolituren, um das Innere zu reinigen, da dies die Oberfläche beschädigt und einen starken Geruch hinterlässt.

- Waschen Sie die Innenflächen mit einer Warmwasser- und Backpulverlösung. In einem Quart Wasser sollten etwa 2 Esslöffel Backpulver sein.
- Waschen Sie die Regale mit einer milden Reinigungslösung.
- Wringen Sie überschüssiges Wasser aus dem Schwamm oder Tuch, wenn Sie den Bereich mit den Steuerungen oder irgendwelche elektrischen Teile reinigen.

7.2 Stillstandszeiten

Wenn das Gerät lange nicht benutzt wird, ergreifen Sie folgende Vorsichtsmaßnahmen:


- Stecken Sie das Gerät aus.
- Entfernen Sie alle Gegenstände.
- Reinigen Sie das Gerät und alles Zubehör.
- Lassen Sie die Tür offen, um unangenehme Gerüche zu vermeiden.

8. ANLEITUNG ZUR FEHLERSUCHE


Sie können viele gängige Weinkeller-Probleme einfach lösen und sich die Kosten eines möglichen Serviceabrufs sparen. Probieren Sie die Vorschläge aus.

Problem	Mögliche Ursache	Lösung
Weinkeller funktioniert nicht.	<ul style="list-style-type: none"> • Nicht eingesteckt. • Das Gerät ist abgeschaltet. • Der Leistungsschalter wurde betätigt. • Demomodus ist aktiv. 	<ul style="list-style-type: none"> • Bitte das Gerät anschließen. • Bitte das Gerät EINSCHALTEN. • Den Leistungsschalter einschalten. • Den Demomodus deaktivieren (+/- 3 Sek. lang drücken).
Weinkeller ist nicht kühl genug.	<ul style="list-style-type: none"> • Die Einstellung der Temperaturregelung prüfen. • Die Tür ist nicht vollständig geschlossen. • Die Türdichtung dichtet nicht richtig ab. 	<ul style="list-style-type: none"> • Die eingestellte Temperatur überprüfen. • Die Schließung der Tür überprüfen. • Die Türdichtung mit einem feuchten Schwamm mit Neutral - Reinigungsmittel und Wasser reinigen.
Der Kompressor arbeitet ständig.	<ul style="list-style-type: none"> • Die Raumtemperatur ist höher als sonst. • Die Tür wird zu oft geöffnet. • Die Tür ist nicht vollständig geschlossen. • Die Türdichtung dichtet nicht richtig ab. 	<ul style="list-style-type: none"> • Die Raumtemperatur überprüfen. • Die Tür nicht länger als nötig offen lassen. • Überprüfen, ob die Tür vollständig geschlossen ist. • Den Zustand der Dichtung überprüfen und sie gegebenenfalls mit einem feuchten Schwamm mit Neutral-Reinigungsmittel und Wasser reinigen.
Das Licht funktioniert nicht.	<ul style="list-style-type: none"> • Nicht eingesteckt. • Der Leistungsschalter wurde betätigt. • Die LED ist ausgebrannt. • Die Lichttaste funktioniert nicht. 	<ul style="list-style-type: none"> • Bitte das Gerät anschließen. • Den Leistungsschalter einschalten. • Den Service kontaktieren. • Den Service kontaktieren.
Übermäßige Vibration.	<ul style="list-style-type: none"> • Überprüfen, ob der Weinkeller eben ist. 	<ul style="list-style-type: none"> • Das Gerät ausgleichen.
Übermäßiges Geräusch.	<ul style="list-style-type: none"> • Das ratternde Geräusch kommt vielleicht von dem Durchfluss des Kältemittels. Das ist normal. • Zusammenziehen und Ausdehnung der Innenwände können zu knallenden und knisternden Geräuschen führen. • Der Weinkeller ist nicht ausgeglichen. • Der Lüfter ist schmutzig. 	<ul style="list-style-type: none"> • Das Gerät ausgleichen. • Den Staub vom Lüfter entfernen. • Sollten die Geräusche lauter werden, wenden Sie sich an den Service.
Die Tür schließt nicht richtig.	<ul style="list-style-type: none"> • Der Weinkeller ist nicht ausgeglichen. • Die Tür war nicht richtig fest. • Die Dichtung ist schmutzig. 	<ul style="list-style-type: none"> • Das Gerät ausgleichen. • Die Schließung der Tür überprüfen. • Die Türdichtung mit einem feuchten Schwamm mit Neutral-Reinigungsmittel und Wasser reinigen.
Akustischer Alarm	<ul style="list-style-type: none"> • Die Tür ist nicht geschlossen (der Alarm dauert 30 Min). 	<ul style="list-style-type: none"> • Die Tür schließen.
E3 wird angezeigt	<ul style="list-style-type: none"> • Die Tür wurde über 30 Min. offen gelassen. • Tür-Reedschalter ist kaputt. 	<ul style="list-style-type: none"> • Die Tür schließen. • Den Service kontaktieren.
E1 wird angezeigt und akustischer Alarm ertönt alle 5 Minuten.	<ul style="list-style-type: none"> • Die Temperatur im Weinkeller befindet sich außerhalb des Bereichs von -20°C +60°C • Der Temperatursensor ist außer Betrieb oder ausgesteckt. 	<ul style="list-style-type: none"> • Fehlende Wärme von den nächsten Geräten überprüfen. • Den Service kontaktieren.
E2 wird angezeigt	<ul style="list-style-type: none"> • Die nächsten Geräte strahlen Wärme aus. • Die Umgebungstemperatur befindet sich außerhalb des Bereichs der Produkt-Klimaklasse. • Kompressor oder Lüfter nicht in Betrieb. 	<ul style="list-style-type: none"> • Fehlende Wärme von den nächsten Geräten überprüfen. • Überprüfen, ob das Produkt an einem Ort mit einer Umgebungstemperatur installiert ist, die innerhalb der erklärten Produkt-Klimaklasse liegt. • Den Service kontaktieren.

9. UMWELTANLIEGEN

Recyclen Sie die Materialien mit dem Symbol 

Legen Sie die Verpackung in den dafür vorgesehenen Behälter, um sie zu recyceln. Schützen Sie die Umwelt und die menschliche Gesundheit und recyceln Sie den Abfall von Elektro- und Elektronikgeräten.

Entsorgen Sie Geräte mit dem Symbol nicht  mit dem Haushaltsmüll. Bringen Sie das Produkt zu Ihrer örtlichen Recyclinganlage zurück oder wenden Sie sich an Ihr Gemeindeamt.

SOMMARIO

1. INFORMAZIONI SULLA SICUREZZA.....	39
2. ISTRUZIONI PER LA SICUREZZA	41
3. DESCRIZIONE DEL PRODOTTO	42
4. PANNELLO DI CONTROLLO	43
5. UTILIZZO.....	44
6. INSTALLAZIONE	47
7. CURA E MANUTENZIONE	47
8. GUIDA PER LA RISOLUZIONE DEI PROBLEMI.....	48
9. PROBLEMI AMBIENTALI.....	49

PER RISULTATI PERFETTI

Grazie per aver scelto questo prodotto AEG. Lo abbiamo creato per offrirvi prestazioni impeccabili per molti anni, grazie a tecnologie innovative che semplificano la vita, caratteristiche che potreste non trovare nei dispositivi comuni. Bastano pochi minuti per leggere e ottenere il massimo da questo dispositivo.

Visitare il nostro sito web per:



Ottenere consigli sull'utilizzo, brochure, guide per la risoluzione dei problemi, informazioni sui servizi:

www.aeg.com



Registrare il prodotto per una migliore assistenza:

www.registeraeg.com



Acquistare accessori, consumabili e parti di ricambio originali per il dispositivo:

www.aeg.com/shop

CURA E MANUTENZIONE DA PARTE DEL CLIENTE

Si raccomanda di utilizzare parti di ricambio originali.

Quando si contatta l'assistenza, avere a portata di mano i seguenti dati.

Le informazioni sono reperibili sulla targhetta: modello, codice articolo, numero di serie.



Avvertenza / Attenzione - Informazioni sulla sicurezza.



Informazioni generali e consigli.



Informazioni ambientali.

Soggetto a modifiche senza preavviso.

1. INFORMAZIONI SULLA SICUREZZA

Prima dell'installazione e dell'utilizzo del dispositivo, leggere attentamente le istruzioni fornite. Il produttore non si assume alcuna responsabilità in merito a installazioni e utilizzi non corretti che causano lesioni e danni. Conservare sempre le istruzioni con il dispositivo per riferimenti futuri.

1.1 Sicurezza dei bambini e delle persone vulnerabili

- Questo dispositivo può essere usato da bambini a partire dagli 8 otto anni di età e dalle persone con capacità fisiche, sensoriali o mentali ridotte o prive di esperienza e conoscenza, se hanno ricevuto una supervisione o istruzioni relative all'uso del dispositivo in modo sicuro e comprendono i potenziali pericoli.
- Non lasciare che i bambini giochino con il dispositivo.
- Tenere tutti gli imballaggi fuori dalla portata dei bambini.
- Le operazioni di pulizia e manutenzione non devono essere effettuate dai bambini senza supervisione.

1.2 Sicurezza generale

- Questo dispositivo è previsto per essere usato nelle applicazioni domestiche e simili quali:
 - Agriturismi, aree di cucina riservate al personale in negozi, uffici e altri ambienti di lavoro
 - Utilizzo da parte di clienti in hotel, motel, bed&breakfast e altri ambienti di tipo residenziale
- Usare questo dispositivo esclusivamente per la conservazione del vino.
- Mantenere le aperture di ventilazione, presenti nell'unità esterna o nella struttura incorporata, libere da ostruzioni.

- Non usare dispositivi meccanici o altri mezzi per accelerare il processo di scongelamento, se non quelli raccomandati dal produttore.
- Non danneggiare il circuito refrigerante.
- Non usare elettrodomestici all'interno dei vani di conservazione alimenti del dispositivo, a meno che non siano quelli di tipo raccomandato dal produttore.
- Per pulire il dispositivo non spruzzare acqua né vapore.
- Pulire il dispositivo con un panno morbido inumidito. Usare esclusivamente detergenti neutri. Non usare prodotti abrasivi, panni abrasivi, solventi o oggetti di metallo.
- Non conservare in questo dispositivo sostanze esplosive quali bombolette aerosol con propellente infiammabile.
- Se il cavo di alimentazione è danneggiato, deve essere sostituito dal produttore, dal suo agente di assistenza o da persone analogamente qualificate al fine di evitare pericoli.

2. ISTRUZIONI PER LA SICUREZZA

2.1 Installazione



AVVERTENZA! Questo dispositivo può essere installato solo da una persona qualificata.

- Rimuovere tutti gli imballaggi.
- Non installare né utilizzare un dispositivo danneggiato.
- Seguire le istruzioni di installazione fornite con il dispositivo.
- Prestare sempre attenzione quando si sposta il dispositivo perché è pesante. Indossare sempre guanti di sicurezza.
- Verificare che l'aria possa circolare attorno al dispositivo.
- Attendere almeno 4 ore prima di collegare il dispositivo all'alimentazione. In questo modo l'olio rifluisce nel compressore.
- Non installare il dispositivo vicino a termosifoni o fornelli, forni o piastre calde. Il retro del dispositivo deve essere rivolto verso la parete.
- Non installare il dispositivo alla luce solare diretta.
- Non installare questo dispositivo in aree troppo umide o troppo fredde, come spazi esterni, garage o cantine.
- Quando si sposta il dispositivo, sollevarlo dal bordo anteriore per evitare di graffiare il pavimento.

2.2 Collegamento elettrico



AVVERTENZA! Rischio di incendio e di scariche elettriche.

- Il dispositivo deve essere collegato a terra.
- Tutti i collegamenti elettrici devono essere effettuati da un elettricista qualificato.
- Verificare che le informazioni elettriche riportate sulla targhetta corrispondano all'alimentazione.
- Diversamente, contattare un elettricista.
- Usare sempre una presa resistente agli urti e installata correttamente.
- Non usare adattatori multi-presa né cavi di prolunga.

- Accertarsi di non causare danni ai componenti elettrici (ad es. spina di alimentazione, cavo di alimentazione, compressore). Per cambiare i componenti elettrici contattare l'assistenza o un elettricista.
- Il cavo di alimentazione deve rimanere sotto il livello della spina di alimentazione.
- Collegare la spina di alimentazione alla presa di alimentazione solamente alla fine dell'installazione. Dopo l'installazione verificare che sia possibile accedere alla spina di alimentazione.
- Per scollegare il dispositivo, non tirare il cavo di alimentazione. Tirare sempre la spina di alimentazione.

2.3 Utilizzo



AVVERTENZA! Rischio di incendio e di scariche elettriche.

- Non cambiare le specifiche di questo dispositivo.
 - Non introdurre elettrodomestici (ad es. gelatiere) nel dispositivo a meno che non sia stato indicato dal produttore.
-  Prestare attenzione a non causare danni al circuito refrigerante. Contiene isobutano (R600a), un gas naturale con un alto livello di compatibilità ambientale. Questo gas è infiammabile.
- Se si verificano danni al circuito refrigerante, verificare che non vi siano fiamme né fonti di accensione nella stanza. Ventilare la stanza.
 - Non lasciare che oggetti caldi tocchino le parti di plastica del dispositivo.
 - Non conservare gas e liquidi infiammabili nel dispositivo.
 - Non mettere prodotti infiammabili o oggetti bagnati con prodotti infiammabili dentro, vicino o sul dispositivo.
 - Non toccare il compressore o il condensatore, sono caldi.

2.4 Cura e pulizia



AVVERTENZA! Rischio di lesioni o danni al dispositivo.

- Prima della manutenzione, disattivare il dispositivo e scollegare la spina di alimentazione dalla presa di alimentazione.
- Questo dispositivo contiene idrocarburi nell'unità di raffreddamento. Solo una persona qualificata deve eseguire la manutenzione e ricaricare l'unità.
- Esaminare regolarmente lo scarico del dispositivo e, se necessario, pulirlo. Se lo scarico è bloccato, l'acqua scongelata si raccoglie nella parte inferiore del dispositivo.

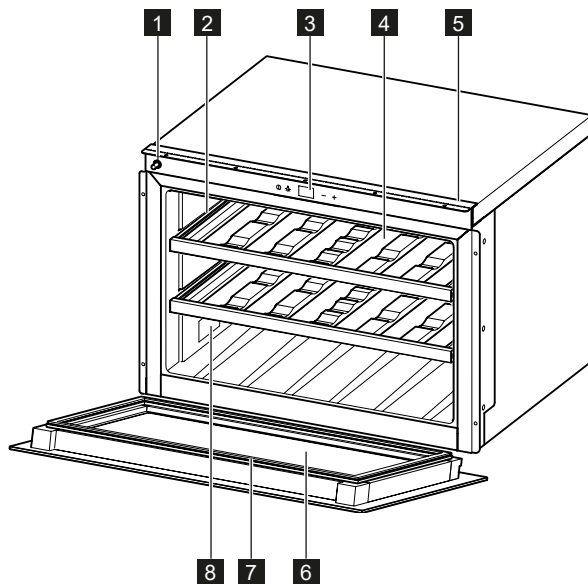
2.5 Smaltimento



AVVERTENZA! Rischio di lesioni o soffocamento.

- Scollegare il dispositivo dall'alimentazione.
- Staccare il cavo di alimentazione ed eliminarlo.
- Rimuovere la porta che impedisce a bambini e animali domestici di rimanere chiusi nel dispositivo.
- Il circuito refrigerante e i materiali di isolamento di questo dispositivo rispettano l'ambiente.
- La schiuma isolante contiene gas infiammabile. Contattare l'autorità locale per ulteriori informazioni su come eliminare il dispositivo correttamente.
- Non danneggiare la parte dell'unità di raffreddamento vicina allo scambiatore di calore.

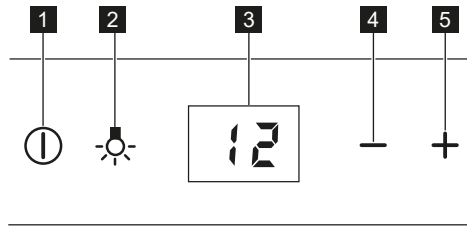
3. DESCRIZIONE DEL PRODOTTO



- 1** Meccanismo rilascio porta
- 2** Guide telescopiche
- 3** Pannello di controllo
- 4** Ripiani

- 5** Barra di fissaggio
- 6** Porta
- 7** Guarnizione
- 8** Targhetta

4. PANNELLO DI CONTROLLO



- 1** Tasto ON/OFF
- 2** Tasto luce
- 3** Display

- 4** Tasto temperatura più fredda
- 5** Tasto temperatura più calda

4.1 Interruttore on/off e impostazione della temperatura

Per accendere il dispositivo premere il tasto ON/OFF.

Il display visualizza la temperatura predefinita impostata (12 °C).

Premendo il tasto -/+ è possibile regolare la temperatura da 5 a 20 °C (con incrementi di 1 °C).

Per spegnere il dispositivo premere il tasto ON/OFF per 5 secondi.

4.2 Tasto luce

Quando la porta è aperta, la luce a LED è accesa, quando è chiusa, la luce è spenta. Se si vuole mantenere la luce accesa con la porta chiusa, aprire la porta e premere il tasto luce.

Per ripristinare le condizioni standard, premere nuovamente il tasto luce.

4.3 Display

Il display visualizza la temperatura impostata, i messaggi di errore, se è selezionata la modalità demo e se i tasti sono bloccati.

4.4 Modalità Blocco tasti

Per attivare la modalità Blocco tasti, premere il tasto + e il tasto luce per 3 secondi. Il dispositivo continuerà a funzionare con le ultime impostazioni.

Per disattivare la modalità Blocco tasti, eseguire la stessa procedura.

Selezionando questa funzione, quando si tocca qualsiasi tasto, sul display appare il messaggio "bl".

4.5 Modalità Demo

La MODALITÀ DEMO è stata creata per il funzionamento durante fiere e showroom.

Il display è ACCESO, con la possibilità di modificare le temperature, ma il motore di raffreddamento è SPENTO.

Per attivare o disattivare la MODALITÀ DEMO, premere contemporaneamente i tasti + e - per 3 secondi.

È possibile mantenere ACCESA la luce a LED interna anche quando la porta è chiusa.

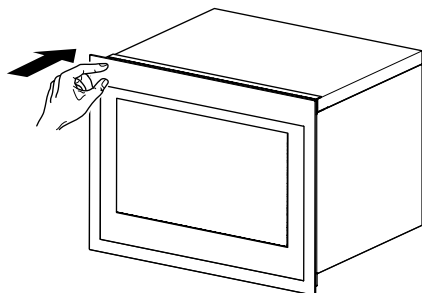
Per attivare la modalità luce ACCESA, premere il tasto luce.

5. UTILIZZO

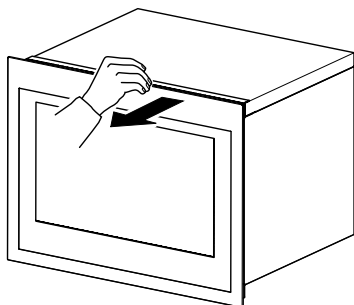
5.1 Apertura porta

Per aprire la porta:

- spingere il lato sinistro della porta



- oppure tirarlo



5.2 Primo utilizzo

i Prima di utilizzare il dispositivo per la prima volta, pulire l'interno e tutti gli accessori interni con acqua tiepida e un po' di sapone neutro, quindi asciugare completamente.



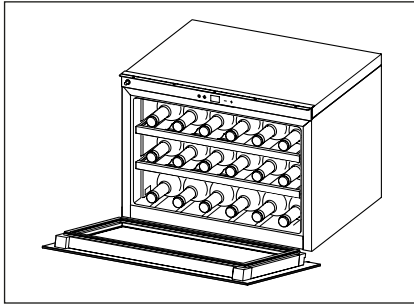
Non utilizzare detersivi o polveri abrasive, poiché possono danneggiare le rifiniture.

Per accendere il dispositivo, premere il tasto ON/OFF e regolare la temperatura in base al vino da conservare.

5.3 Funzione memoria temperatura

Il caso di interruzione di corrente, la cantina per vino può ricordare l'impostazione di temperatura precedente e, quando la corrente viene ripristinata, la temperatura torna a quella originale.

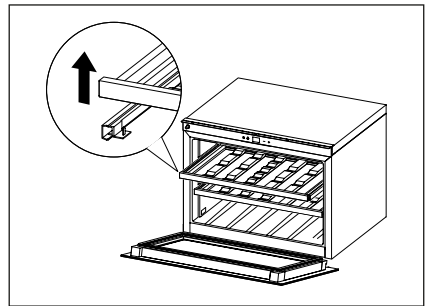
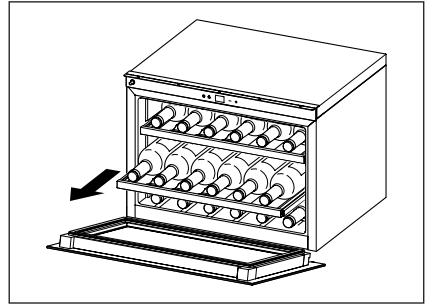
5.4 Conservazione del vino



Il tempo di conservazione del vino dipende dall'invecchiamento, dal tipo di uve, dal contenuto alcolico e dal livello di fruttosio e di tannino contenuti. Al momento dell'acquisto, verificare se il vino è già invecchiato o se migliora con il tempo. Temperatura di conservazione consigliata:

- Champagne/Prosecco e vini frizzanti: da +6 a +8 °C
 - Vini bianchi: da +10 a +12 °C
 - Vini rosé: da +12 a +16 °C
 - Vini rossi: da +14 a +18 °C
- (per bottiglie di Bordeaux da 750 ml)
Totale: 18 bottiglie

5.5 Ripiani per il vino



- Per accedere facilmente alle bottiglie, estrarre i ripiani dal vano.

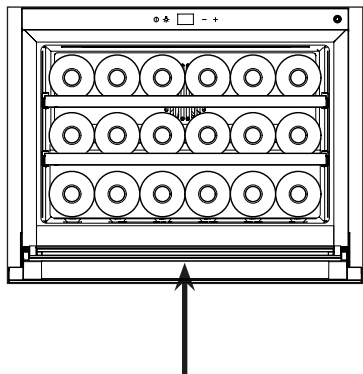


Per evitare di danneggiare la porta, verificare che sia completamente aperta quando si estraggono i ripiani.

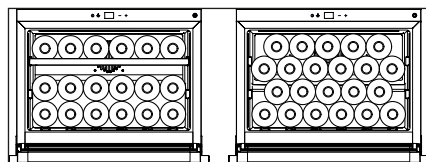
- Per rimuovere o montare i ripiani in legno, sollevare o spingere il ripiano.

- Configurazione standard

Per conservare fino a 18 bottiglie di Bordeaux, posizionare 6 bottiglie su ogni livello.



Il primo livello è stato progettato per ospitare le bottiglie più grandi e alte.



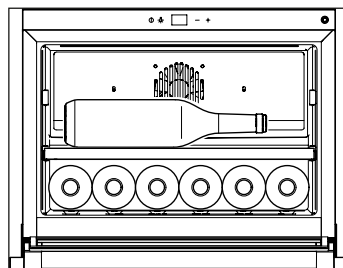
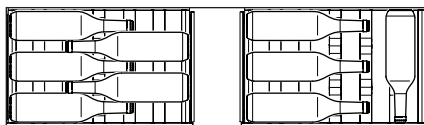
Adatta per bottiglie grandi e alte.

Rimuovendo i ripiani, è possibile aumentare la capacità, come mostrato nelle figure.



AVVERTENZA! In questo caso verificare che le bottiglie non siano a contatto con la parete posteriore della cavità.

- Configurazione orizzontale



Per conservare facilmente bottiglie grandi e alte nel secondo ripiano, è possibile rimuovere il ripiano superiore, come mostrato nella figura.

6. INSTALLAZIONE

6.1 Posizionamento

Attorno al dispositivo deve essere presente un'adeguata ventilazione d'aria, al fine di evitare il surriscaldamento. Per ottenere una ventilazione sufficiente, seguire le istruzioni di installazione.

Installare questo dispositivo in una posizione in cui la temperatura ambiente corrisponde alla classe climatica indicata sulla targhetta del dispositivo:

Classe climatica	Temperatura ambiente
SN	da +10 °C a +32 °C
N	da +16 °C a +32 °C
ST	da +16 °C a +38 °C
T	da +16 °C a +43 °C

7. CURA E MANUTENZIONE



ATTENZIONE! Prima di eseguire qualunque operazione di manutenzione, scollegare il dispositivo.



Questo dispositivo contiene idrocarburi nella sua unità di raffreddamento; pertanto, la manutenzione e la ricarica devono essere eseguite da tecnici autorizzati.

- Pulire l'interno e gli accessori con acqua tiepida e un po' di sapone neutro.
- Controllare e pulire regolarmente le guarnizioni della porta, per garantire che siano pulite e prive di residui.
- Risciacquare e asciugare completamente.

7.1 Pulizia periodica

Il dispositivo deve essere pulito regolarmente.



Non tirare, spostare o danneggiare i tubi e/o i cavi all'interno dell'unità

Per pulire l'interno non usare mai detersivi, polveri abrasive, prodotti di pulizia particolarmente profumati o cere lucidanti, poiché danneggerebbero le superfici e lascerebbero un forte odore.

- Pulire le superfici interne con una soluzione di acqua tiepida e bicarbonato di sodio. La soluzione deve essere composta da circa 2 cucchiaini di bicarbonato di sodio per ogni litro di acqua.
- Pulire i ripiani con un soluzione detergente delicata.
- Eliminare l'acqua in eccesso dalla spugna o dal panno quando si pulisce l'area dei comandi o qualunque parte elettrica.

7.2 Periodi di non funzionamento

Quando il dispositivo non viene utilizzato per lunghi periodi, rispettare le seguenti precauzioni:


- Scollegare il dispositivo dall'alimentazione.
- Rimuovere tutti gli elementi.
- Pulire il dispositivo e tutti gli accessori.
- Lasciare aperta la porta per evitare odori sgradevoli.


8. GUIDA PER LA RISOLUZIONE DEI PROBLEMI

È possibile risolvere facilmente molti problemi comuni della cantina, risparmiando il costo di una chiamata per l'assistenza tecnica. Provare i seguenti suggerimenti.

Problema	Possibile causa	Soluzione
La cantina per vino non funziona.	<ul style="list-style-type: none"> • Cavo di alimentazione non collegato. • Il dispositivo è spento. • È scattato l'interruttore. • È attiva la modalità demo. 	<ul style="list-style-type: none"> • Collegare il dispositivo. • Accendere il dispositivo. • Accendere l'interruttore. • Disattivare la modalità demo (premere +/- per 3 sec.).
La cantina per vino non è abbastanza fredda.	<ul style="list-style-type: none"> • Controllare l'impostazione di controllo temperatura. • La porta non è chiusa completamente. • La guarnizione della porta non sigilla correttamente. 	<ul style="list-style-type: none"> • Verificare la temperatura impostata. • Verificare che la porta sia chiusa. • Pulire la guarnizione della porta con una spugna inumidita con detergente neutro e acqua.
Il compressore è sempre in funzione.	<ul style="list-style-type: none"> • La temperatura ambiente è più calda del solito. • La porta viene aperta troppo spesso. • La porta non è chiusa completamente. • La guarnizione della porta non sigilla correttamente. 	<ul style="list-style-type: none"> • Verificare la temperatura ambiente. • Non tenere aperto la porta più del necessario. • Verificare che la porta sia completamente chiusa. • Verificare la condizione della guarnizione e, se necessario, pulirla con una spugna inumidita con detergente neutro e acqua.
La luce non funziona.	<ul style="list-style-type: none"> • Cavo di alimentazione non collegato. • È scattato l'interruttore. • Il LED si è bruciato. • Il pulsante della luce non funziona. 	<ul style="list-style-type: none"> • Collegare il dispositivo. • Accendere l'interruttore. • Contattare l'assistenza. • Contattare l'assistenza.
Vibrazione eccessiva.	<ul style="list-style-type: none"> • Controllare che la cantina per vino sia perfettamente orizzontale. 	<ul style="list-style-type: none"> • Mettere il dispositivo perfettamente orizzontale.
Rumore eccessivo.	<ul style="list-style-type: none"> • Il rumore meccanico potrebbe derivare dal flusso del refrigerante; è una condizione normale. • La contrazione e l'espansione delle pareti interne possono causare rumori di botti e scricchiolii. • La cantina per vino non è perfettamente orizzontale. • La ventola è sporca. 	<ul style="list-style-type: none"> • Mettere il dispositivo perfettamente orizzontale. • Rimuovere la polvere dalla ventola. • Se i rumori aumentano, contattare l'assistenza.
La porta non è chiusa correttamente.	<ul style="list-style-type: none"> • La cantina per vino non è perfettamente orizzontale. • La porta non è stata fissata correttamente. • La guarnizione è sporca. 	<ul style="list-style-type: none"> • Mettere il dispositivo perfettamente orizzontale. • Verificare che la porta sia chiusa. • Pulire la guarnizione della porta con una spugna inumidita con detergente neutro e acqua.
Allarme acustico.	<ul style="list-style-type: none"> • La porta non è chiusa (l'allarme dura 30 min). 	<ul style="list-style-type: none"> • Chiudere la porta.
È visualizzato E3.	<ul style="list-style-type: none"> • La porta è stata lasciata aperta per più di 30 min. • Il sensore porta è rotto. 	<ul style="list-style-type: none"> • Chiudere la porta. • Contattare l'assistenza.
È visualizzato E1 e viene emesso un allarme acustico ogni 5 minuti.	<ul style="list-style-type: none"> • La temperatura interna della cantina per vino non rientra nell'intervallo compreso tra -20 °C e +60 °C. • Il sensore di temperatura è fuori uso o scollegato. 	<ul style="list-style-type: none"> • Verificare che i dispositivi vicini non emettano calore. • Contattare l'assistenza.
È visualizzato E2.	<ul style="list-style-type: none"> • I dispositivi più vicini emettono calore. • La temperatura ambiente non rientra nel range della classe climatica del prodotto. • Il compressore o la ventola sono fuori uso. 	<ul style="list-style-type: none"> • Verificare che i dispositivi vicini non emettano calore. • Verificare se il prodotto è installato in una posizione con una temperatura ambiente che rientra nella classe climatica dichiarata del prodotto. • Contattare l'assistenza.

9. PROBLEMI AMBIENTALI

Riciclare i materiali con il simbolo .
Gettare gli imballaggi nei contenitori previsti per il relativo riciclaggio. Proteggere l'ambiente e la salute dell'uomo riciclando i rifiuti di apparecchiature elettriche ed elettroniche.

Non gettare nei rifiuti domestici i dispositivi con il simbolo . Portare il prodotto all'impianto di riciclaggio locale o contattare l'ufficio comunale.

www.aeg.com/shop



111222333-A-362013

AEG