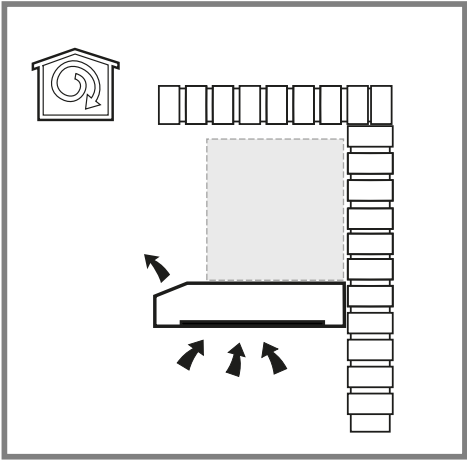
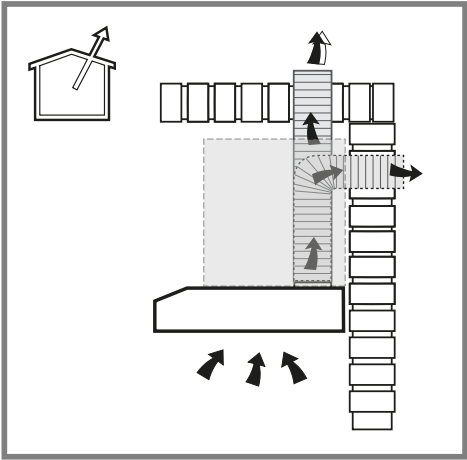
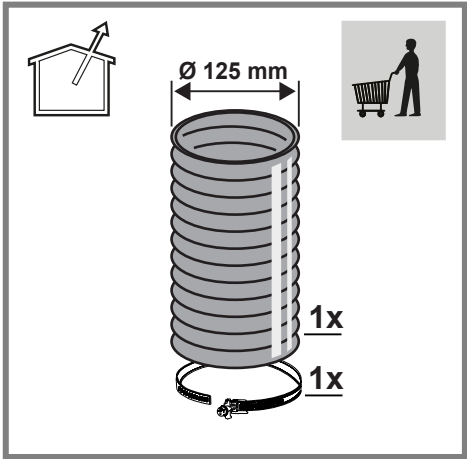
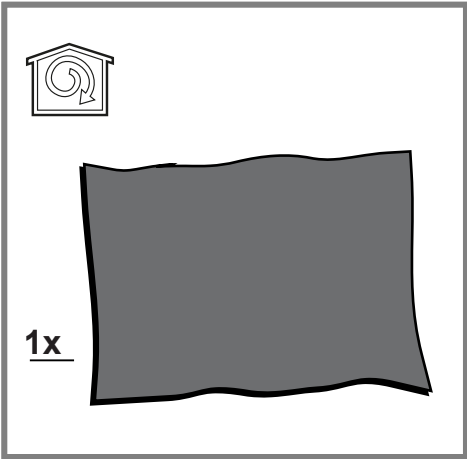
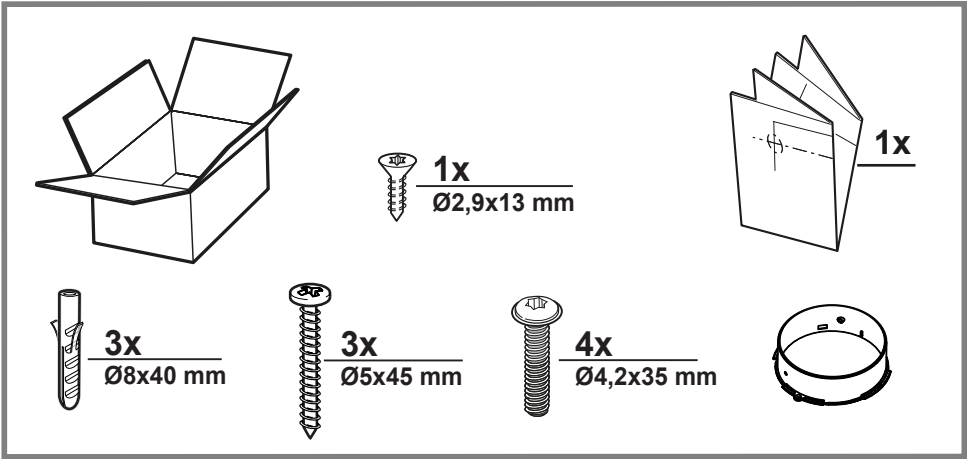
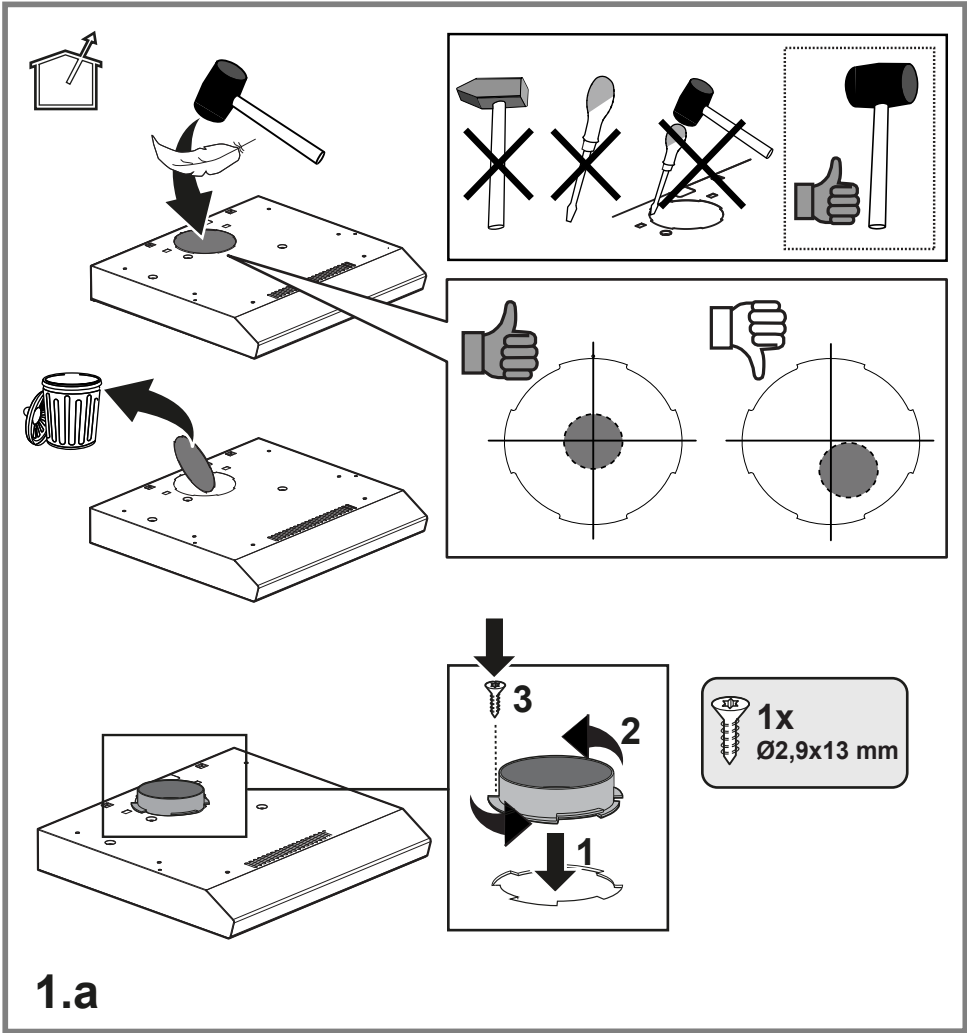
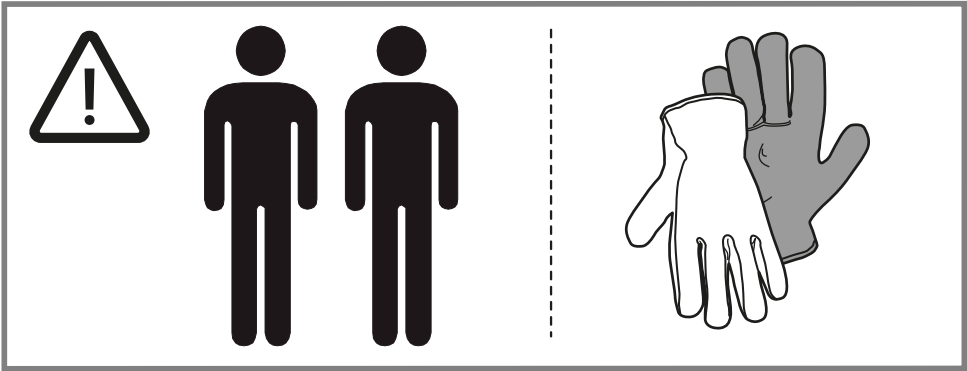


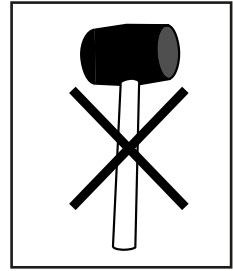
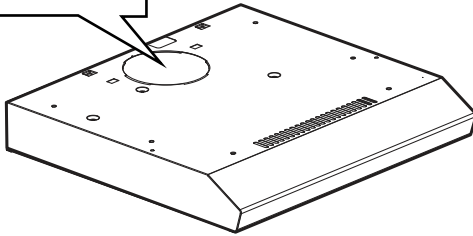
**EN** Instruction for use  
**FR** Mode d'emploi  
**IT** Istruzioni per l'uso  
**AR** تعليمات الاستخدام



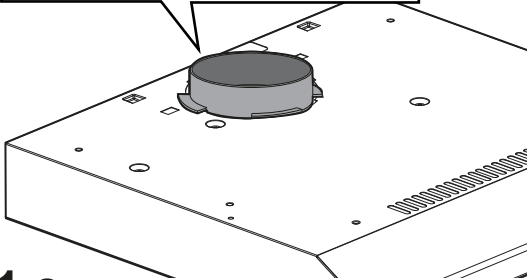




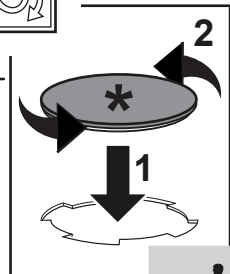
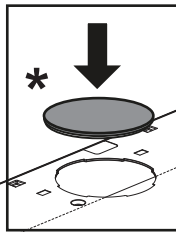
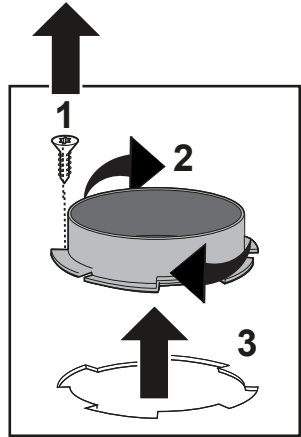
1.a



1.b

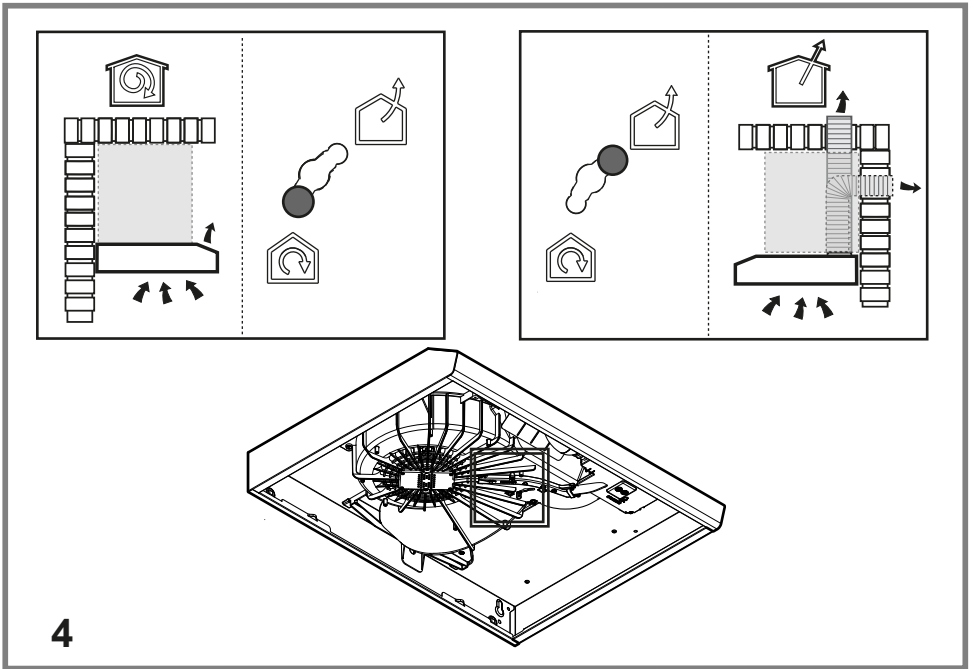
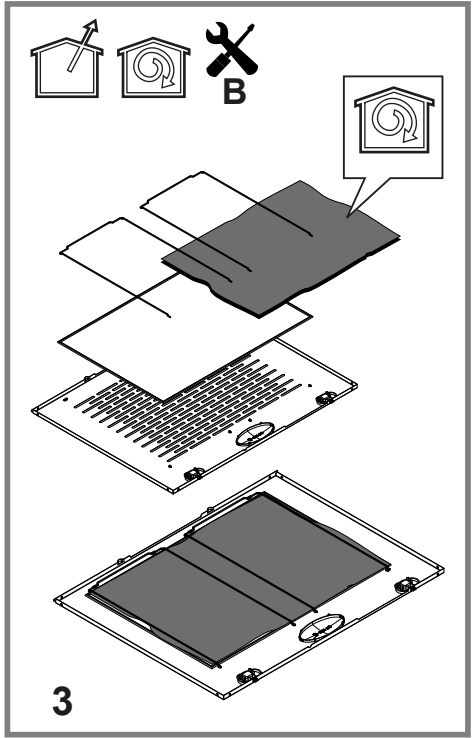
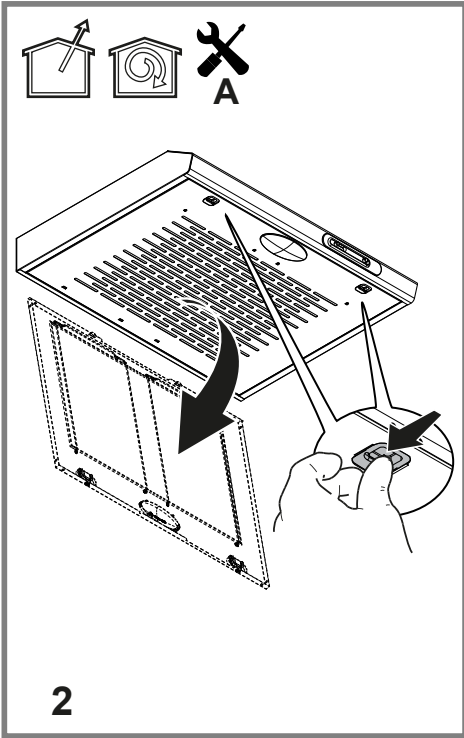


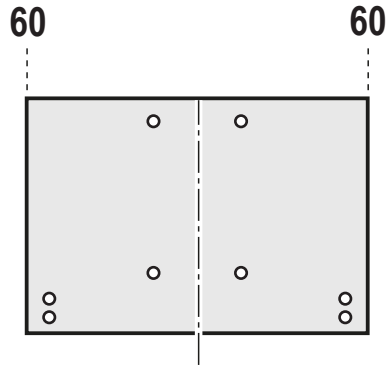
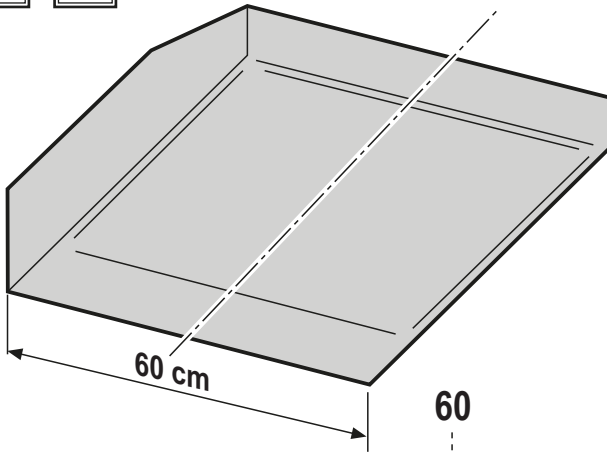
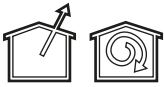
1.c



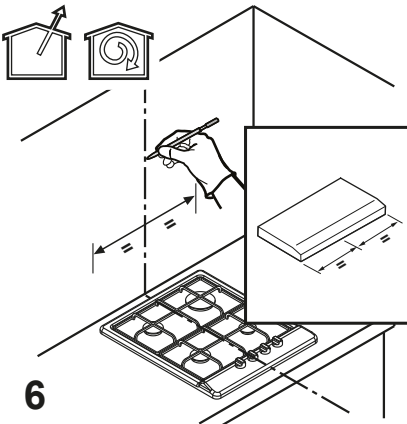
1.d



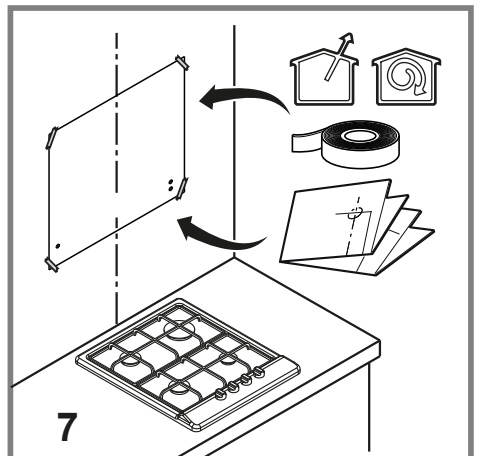




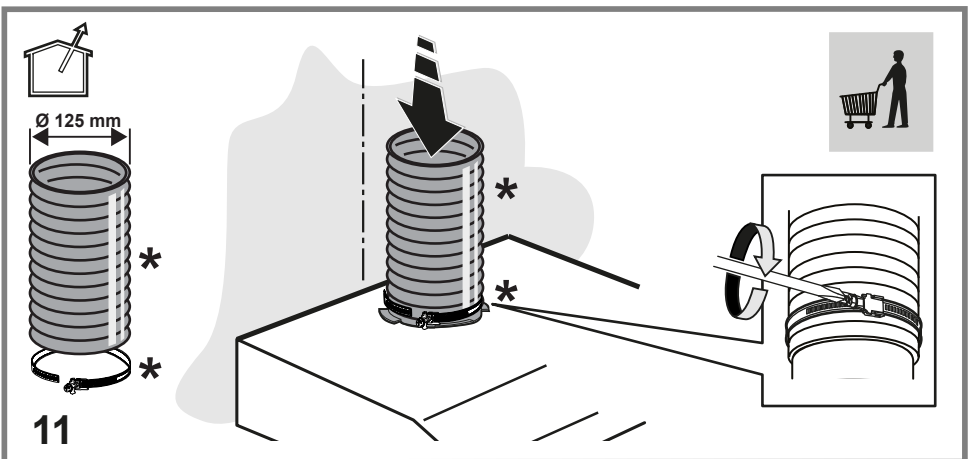
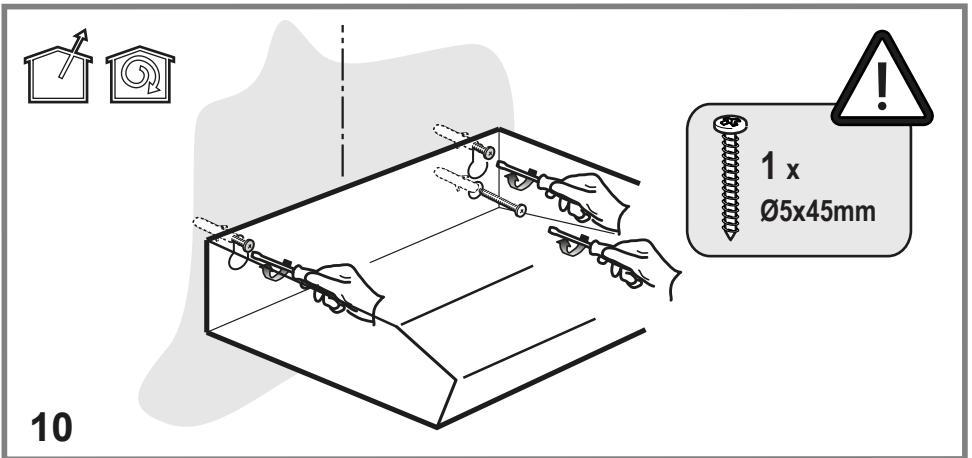
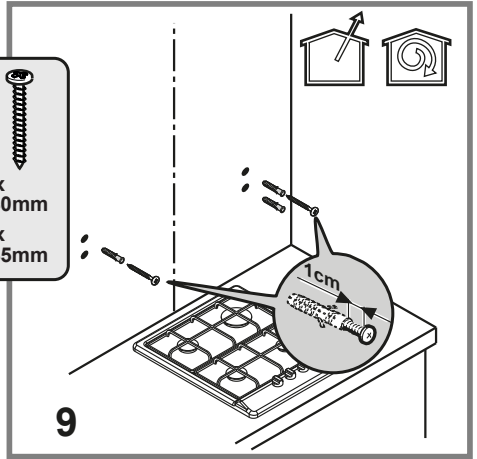
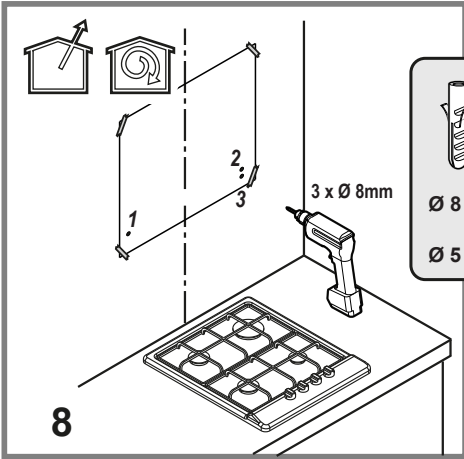
5

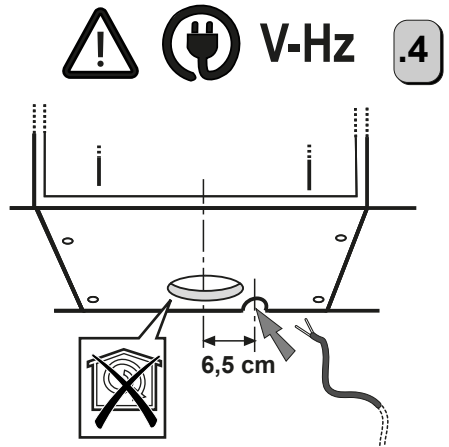
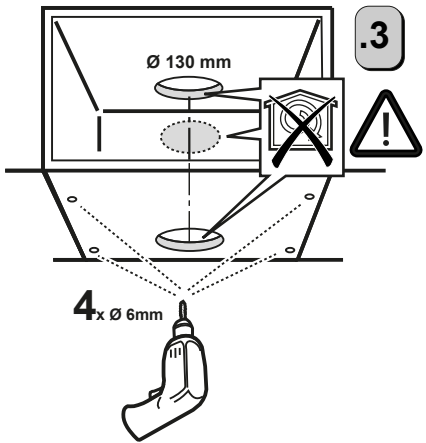
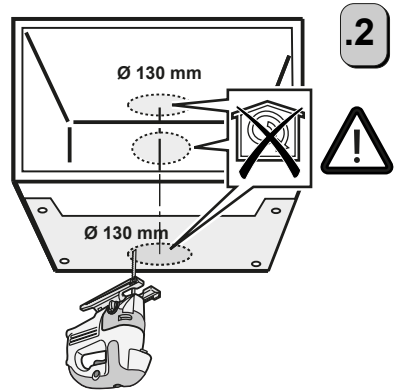
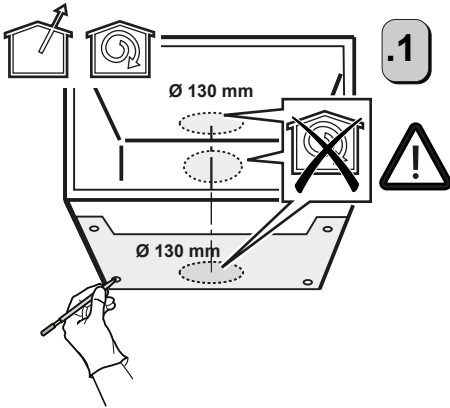


6

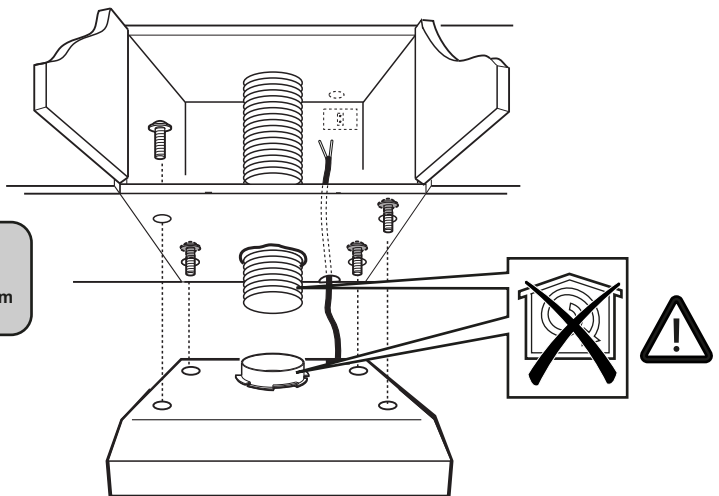
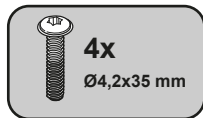


7

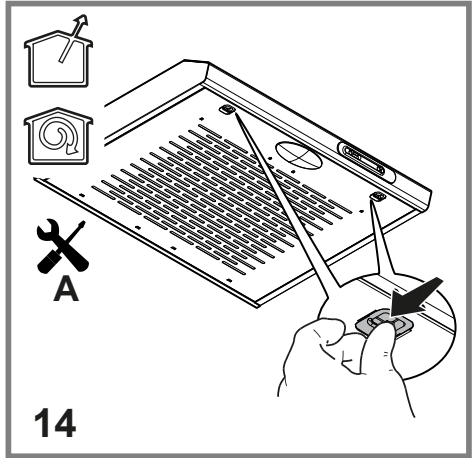
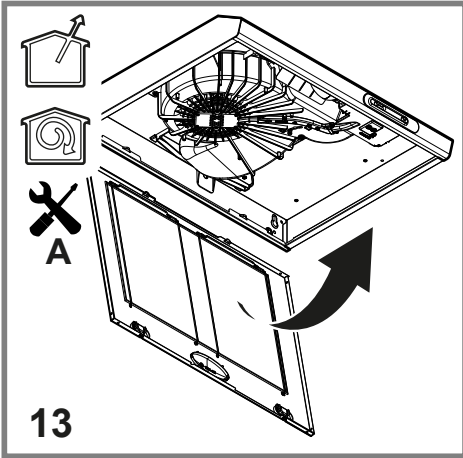




**.5**







	 *mm	V / W	ILCOS D (IEC 61231)
<b>1d</b>	 E14 102* Ø35*	220-240V / 3W	DRBB/C-3-220-240-E14-35/102

## GENERAL SAFETY

•Do not make electrical or mechanical changes on the product or on the exhaust pipes. •Before doing any cleaning or maintenance work, disconnect the product from the mains power supply by removing the plug or turning off the mains switch. •For all installation and maintenance operations, always wear work gloves. •The product can be used by children over the age of 8 and by people with reduced physical, sensory or mental capabilities or without experience or the necessary knowledge, as long as they are properly supervised or have been instructed on how to safely use the device and understand the inherent dangers. •Children must be supervised to make sure that they do not play with the product. •Cleaning and maintenance must never be performed by children unless they are properly supervised. •The room must have sufficient ventilation when the product is used at the same time as other appliances burning gas or other fuels. •The product must be cleaned frequently both inside and out (AT LEAST ONCE A MONTH); always follow the instructions given in the maintenance manual. •Failure to comply with the rules indicated for cleaning the product and replacing/cleaning the filters may result in the risk of fire. •It is strictly forbidden to cook food on the flame under the product. •WARNING: •When the hob is on, the accessible parts of the product may become hot. •Do not connect the product to the electrical power supply until the installation is complete. •The regulations laid down by local authorities must be strictly followed with regard to the technical and safety measures to adopt for fume extraction. •The extracted air must not be conveyed through the same ducts used to extract the fumes generated by gas combustion or other types of combustion products. •Do not use or leave the product without appropriately installed lamps, as this may result in the risk of electric shock. •The product must NEVER be used without the grille correctly fitted. •The product must NEVER be used as a support surface unless expressly indicated.

● Range hoods and other cooking fume extractors may adversely affect the safe operation of appliances burning gas or other fuels (including those in other rooms) due to back flow of combustion gases. These gases can potentially result in carbon monoxide poisoning. After installation of a range hood or other cooking fume extractor, the operation of flued gas appliances should be tested by a competent person to ensure that back flow of combustion gases does not occur.

• Use only the fastening screws supplied with the product for its installation, or if not supplied, purchase the correct type of screws. Use screws of the right length, as indicated in the installation guide.

● **Please note!** Failure to install screws and fasteners in accordance with these instructions may result in electrical hazards.

• To replace the lamp, only use the lamp indicated in the maintenance/lighting system section of this manual. • Using a naked flame may damage the filters and cause a fire hazard, and must therefore be avoided under all circumstances. •

Extra care must be taken when frying to prevent the oil from overheating and catching fire. • In case of doubt, contact the authorised service centre or similar qualified personnel.

**Please note!** Do not use with a programmer, timer, separate remote control or any other device that activates automatically.

• The minimum distance between the container support surface on the cooker and the lower part of the hood must be at least equal to 50 cm (not less than 65 cm only for Australia and New Zealand) in case of electric cookers and to 65 cm in case of gas or mixed cookers.

If the installation instructions of the gas cooker specify a greater distance, take it into account.

Keep children under the age of 3 away from the appliance. Without the constant supervision of an adult, keep the appliance out of the reach of children under the age of 8.

**⚠ ATTENTION:** the appliance is not designed to be operated using an external device or a separate remote control system.

**⚠** This appliance is not intended for professional use. Do not use the appliance outdoors.

**⚠** To avoid the risk of personal injury, the appliance must be handled and installed by two or more people.

**⚠** Installation operations, including any water supply connections (if any) and the electrical connections, and repairs must be carried out by qualified personnel.

When installation is complete, keep the packaging material (plastic parts, polystyrene, etc.) out of the reach of children to avoid the risk of suffocation.

Do not use the appliance when barefoot or wet.

Never use steam cleaning appliances - risk of electric shock.

**Strictly observe the instructions in this manual.** All liability is declined for any problems, damage or fires caused by failure to comply with the instructions in this manual. The device is intended for domestic use only, to cook food and extract the fumes generated by cooking. No other use is allowed (e.g. heating rooms). The manufacturer declines any liability for inappropriate use or incorrect control settings.

• Read the instructions carefully: they contain important information on installation, operation and safety.

• Do not make electrical changes to the device.

• Before installing the device, make sure that none of the components are damaged. Otherwise, contact the dealer and do not continue with the installation.

• It is important to keep all the manuals accompanying the product so that they can be consulted at all times. If sold, transferred or moved, make sure it remains with the product.

The device may have different aesthetic features with respect to the illustrations in this handbook, however the operating, maintenance and installation instructions remain the same.

## ELECTRICAL CONNECTION

The mains voltage must correspond to the voltage indicated on the rating plate located inside the hood. If equipped with a plug, connect the hood to a wall socket that complies with current standards located in an area that can be accessed even after installation. If it does not feature a plug (direct connection to the mains) or the plug is not located in an accessible area, even after installation, apply a standard double pole switch that ensures complete disconnection from the mains in category III overvoltage conditions, in accordance with the installation rules.

● **Please note!** Before reconnecting the circuit to the mains power supply, make sure that it is working correctly, always check that the power cable is correctly installed.

Do not use extension cords, power strips or adapters.

If the cable is not fitted with a plug, connect the wires according to the following table:

### Mains voltage and frequency

Refer to the value indicated on the rating plate inside the hood.

### Wire connection

⬇: yellow/green

N: blue

L: brown

## Replacing the power cable

The hood features a special power cable; if the cable is damaged, contact the Service Centre for a replacement.

## AIR OUTLET

(for suction versions)

Connect the hood to wall-mounted exhaust pipes and holes with a diameter equivalent to the air outlet (connecting flange).

The use of pipes and outlet holes in the wall with a smaller diameter will reduce the extraction performance and drastically increase the noise level.

All responsibility in this regard is therefore denied.

! Use a ducting pipe with the shortest length necessary.

! Use a ducting pipe with the least number of bends possible (maximum bend angle: 90°).

! Avoid drastic changes in the ducting pipe diameter.

! The company shall not be held responsible if these regulations are not complied with.

## FILTRATION OR SUCTION?

! Your hood is read to be used in the suction version.

To use the hood in the filtration version, the special ACCESSORY KIT must be installed.

Check, on the first pages of this manual, whether the ACCESSORY KIT is already supplied or needs to be purchased separately.

Note: If supplied, in some cases, the additional activated carbon filtering system may already be installed on the hood.

Information on how to convert the hood from the suction version to the filtration version is already contained in this manual.

### Extraction version

Vapours are evacuated outside through an exhaust pipe attached to the connecting flange.

## ⚠ ATTENTION

The evacuation pipe is not supplied and must be purchased.

The diameter of the exhaust pipe must be equivalent to the diameter of the connecting ring.

If the hood features one or more carbon filters, they must be removed.

### Filtration version

The suctioned air will be degreased and deodorised before it is sent back into the room. To use the hood in this version, it is necessary to install an additional activated carbon filter system.

## CONTROLS

The hood is equipped with a control panel with a suction speed control and a light control to light up the hob.



**T1**



**T2**



**T3**



**T4**

- a. ON/OFF light switch
- b. Speed 1/OFF switch
- c. 2-speed selection
- d. 3-speed selection

## MAINTENANCE

- **Cleaning:** For cleaning, simply use a cloth moistened with neutral liquid detergents. Do not use cleaning tools or instruments.

- **XA Anti-Grease Filter:** It must be cleaned once a month (or when the filter saturation indication system - if any - indicates the need for it), with non-aggressive detergents, either by hand or in a dishwasher at a low temperature and on a short cycle.

When cleaned in the dishwasher, the metal grease filter may discolour, but its filtering characteristics remain unchanged.

To remove the anti-grease filter, pull the spring release handle.

- **XB Carbon filter (for filter version only):** it is are mounted on the back of the grill and must be changed once a month. It CANNOT be washed or regenerated.

### Illumination

- **Lamp Replacement :** Disconnect the product from the electrical power supply. Please note! Before touching the lamps, make sure they have cooled. For the type of lamp to use, see the indications in the drawings section.

## END-OF-LIFE DISPOSAL



This device is marked in compliance with the European Directive 2012/19/EC - UK SI 2013 No.3113, Waste Electrical and Electronic Equipment (WEEE).

Make sure that this product is disposed of correctly. The user helps prevent potential negative consequences for the environment and for health. The symbol on the product or accompanying documentation indicates that this product should not be treated as household waste but should be handed over at a suitable collection point for the recycling of electrical and electronic equipment. Dispose of it in accordance with local regulations for waste disposal. For further information about the treatment, recovery and recycling of this product, please contact your local authority, the collection service for household waste or the shop from where the product was purchased.



The packaging material is 100% recyclable and is marked by the recycling symbol

## REGULATIONS

Equipment designed, tested and manufactured in compliance with safety regulations: EN/IEC 60335-1; EN/IEC 60335-2-31, EN/IEC 62233. Performance: EN/IEC 61591; ISO 5167-1; ISO 5167-3; ISO 5168; EN/IEC 60704-1; EN/IEC 60704-2-13; EN/IEC 60704-3; ISO 3741; EN 50564; IEC 62301. EMC: EN 55014-1; CISPR 14-1; EN 55014-2; CISPR 14-2; EN/IEC 61000-3-2; EN/IEC 61000-3-3.

## RECOMMENDATIONS FOR USE

Recommendations for correct use in order to reduce the impact on the environment: When cooking begins, the device should be turned on at minimum speed, and left on for a few minutes even after cooking is complete. Increase the speed only if there is a large quantity of fumes and steam, using the Booster function only in extreme cases. To keep the odour reduction system running efficiently, replace the carbon filter/s when necessary. To ensure the high performance of the grease filter, clean it when necessary. To improve efficiency and minimise noise, use the maximum duct diameter indicated in this manual.

## OPERATING ERRORS

If something does not seem to be working, perform the following simple checks before contacting the Service Centre:

- If the hood is not working:

Check that:

-There is no power failure

-A speed has been selected

- If the hood has poor performance:

Check that:

-The selected motor speed is sufficient for the amount of fumes and steam released.

-The kitchen is sufficiently ventilated to allow an air intake.

-The carbon filter is not worn out (hood in filtration version).

- If the hood has switched off during normal operation:

Check that:

-There is no power failure.

-The safety cut-off device has not tripped.

In the event of any malfunctions, disconnect the appliance from the electrical power supply for at least 5 seconds by unplugging it and then reconnect it, before contacting the Service Centre. If the malfunction persists, contact the Service Centre.

## TECHNICAL SPECIFICATIONS

Height (cm)	Width (cm)	Depth (cm)	Ø of the exhaust pipe (cm)
7.7	59.8	47	12.5

# CE

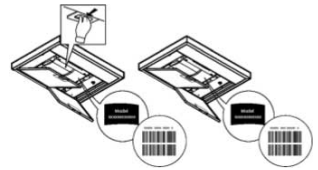


Components not supplied with product



To download the safety instructions, user manual, technical data sheet and energy data:

- Visit the website [docs.whirlpool.eu](https://docs.whirlpool.eu)
- Use the QR code
- Alternatively, **contact Customer Service** (using the phone number indicated on the warranty booklet). When contacting Customer Service, communicate the codes on the product rating plate.





## SÉCURITÉ GÉNÉRALE

• Ne pas effectuer de variations électriques ou mécaniques sur le produit ou sur les conduits d'évacuation. • Avant toute opération de nettoyage ou d'entretien, débrancher le produit du secteur électrique en enlevant la fiche ou à travers le disjoncteur général du logement. • Utiliser des gants de travail pour toutes les opérations d'installation et d'entretien. • Le produit peut être utilisé par des enfants âgés d'au moins 8 ans et par des personnes ayant des capacités physiques, sensorielles ou mentales réduites ou sans expérience ou sans les connaissances nécessaires, à condition qu'ils soient surveillés ou après que ces personnes aient reçu des instructions relatives à l'usage sûr de l'appareil et à la compréhension des dangers afférents. • Les enfants doivent être contrôlés afin qu'ils ne jouent pas avec le produit. • Le nettoyage et l'entretien ne doivent pas être effectués par des enfants sans surveillance. • Le local doit disposer d'une ventilation suffisante lorsque le produit est utilisé en même temps que d'autres appareils à combustion de gaz ou autres combustibles. • Le produit doit être fréquemment nettoyé, à l'intérieur comme à l'extérieur (AU MOINS UNE FOIS PAR MOIS) ; respecter dans tous les cas les indications présentes dans les instructions d'entretien. • Le non-respect des normes de nettoyage du produit et du remplacement/nettoyage des filtres comporte des risques d'incendie. • Il est strictement interdit de faire flamber des aliments sous le produit. • ATTENTION : Lorsque la plaque de cuisson est en marche, les parties accessibles du produit peuvent devenir chaudes. • Ne pas brancher le produit au secteur électrique tant que l'installation n'est pas totalement terminée. • Concernant les mesures techniques et de sécurité à prendre pour l'évacuation des fumées, respecter scrupuleusement les réglementations établies par les autorités locales compétentes. • L'air aspiré ne doit pas être conduit vers le tube destiné à l'évacuation des fumées des appareils à combustion à gaz ou autres combustibles. • Ne pas utiliser ni laisser le produit sans que les ampoules ne soient correctement montées en raison du risque possible de décharge électrique. • Le produit ne doit JAMAIS être utilisé sans la grille correctement montée. • Le produit ne doit JAMAIS être utilisé comme plan à moins que cela ne soit explicitement indiqué.

• Utiliser uniquement les vis de fixation fournies avec le produit pour l'installation ou, si elles ne sont pas fournies, acheter le type de vis correct. Utiliser la longueur correcte pour les vis qui sont identifiées dans le Guide d'installation.

● **Attention** ! La non-installation de vis et fixations conformément à ces instructions peut comporter des risques électriques.

• Pour le remplacement de la lampe, utiliser uniquement le type de lampe indiqué dans la section maintenance/système d'éclairage de ce manuel. • L'utilisation d'une flamme nue peut endommager les filtres et provoquer des incendies et doit donc être évitée. • La friture doit être surveillée afin d'éviter que l'huile ne prenne feu. • En cas de doute, consulter le centre de service agréé ou un personnel

qualifié similaire.

**Attention !** Ne pas utiliser avec un programmateur, une minuterie, une télécommande séparée ou tout autre appareil qui s'active automatiquement.

• La distance minimale entre la surface de support des récipients sur le dispositif de cuisson et la partie la plus basse de la hotte ne doit pas être inférieure à 50 cm en cas de cuisinières électriques et de 65 cm en cas de cuisinières à gaz ou mixtes.

Si les instructions d'installation du dispositif de cuisson à gaz spécifient une distance plus importante, il faut en tenir compte.

Les enfants de moins de 3 ans ne doivent pas s'approcher de l'appareil. Sans la surveillance constante d'un adulte, garder l'appareil hors de la portée des enfants de moins de 8 ans.

**⚠ ATTENTION :** l'appareil n'est pas destiné à être mis en marche à l'aide d'un dispositif externe ou d'un système de commande à distance séparé.

**⚠** Cet appareil n'est pas destiné à un usage professionnel. Ne pas utiliser l'appareil à l'extérieur.

**⚠** Pour éviter le risque de blessures, l'appareil doit être déplacé et installé par minimum deux personnes.

**⚠** L'installation, incluant les raccords pour l'alimentation en eau (s'ils sont prévus) et les branchements électriques, et les interventions de réparation doivent être effectuées par un personnel qualifié.

Après avoir complété l'installation, conserver le matériel d'emballage (plastique, polystyrène, etc.) hors de la portée des enfants pour éviter le risque d'étouffement.

Ne jamais utiliser l'appareil pieds nus ou mouillés.

Ne jamais utiliser d'appareils de nettoyage à vapeur pour éviter le risque de choc électrique.

**Suivre de près les instructions reportées dans ce manuel.** Nous déclinons toute responsabilité pour tout problème, dommage ou incendie causé à l'appareil suite au non-respect des instructions reportées dans ce manuel. L'appareil est destiné exclusivement à un usage domestique pour la cuisson des aliments et l'extraction des fumées produites par la cuisson. Aucune autre utilisation n'est autorisée (par ex. chauffage de pièces). Le fabricant décline toute responsabilité en cas d'utilisation inappropriée ou de réglage erroné des commandes.

• Lire attentivement les instructions : elles contiennent des informations importantes sur l'installation, l'utilisation et la sécurité.

• N'effectuer aucune variation électrique sur l'appareil.

• Avant de procéder à l'installation de l'appareil, vérifier qu'aucun composant n'est endommagé. Sinon, contacter le revendeur et ne pas continuer l'installation.

• Il est important de conserver tous les manuels qui accompagnent le produit pour pouvoir les consulter à tout moment. En cas de vente, de cession ou de transfert, s'assurer qu'ils restent avec le produit.

L'appareil peut avoir un aspect différent par rapport au dessin de cette notice mais les instructions pour l'utilisation, l'entretien et l'installation restent les mêmes.

## BRANCHEMENT ÉLECTRIQUE

La tension d'alimentation doit correspondre à la tension indiquée sur l'étiquette des caractéristiques située à l'intérieur de la hotte. Si elle est dotée d'une fiche, brancher la hotte à une prise conforme aux normes en vigueur située dans une zone accessible même après l'installation. Si elle n'est pas dotée de fiche (raccordement direct au secteur) ou si la fiche n'est pas placée dans un endroit accessible même après l'installation, appliquer un interrupteur bipolaire conforme qui assure la déconnexion complète du secteur dans les conditions de la catégorie de surtension III, conformément aux règles d'installation.

● **Attention !** Avant de rebrancher le circuit à l'alimentation du secteur électrique et d'en vérifier le fonctionnement correct, toujours contrôler que le câble d'alimentation ait été correctement monté.

Ne pas utiliser de rallonges, de prises multiples ou d'adaptateurs.

Si le câble n'est pas doté de fiche, brancher les fils en respectant le tableau suivant :

### Tension et fréquence du secteur électrique

Se référer à la valeur indiquée sur l'étiquette des caractéristiques à l'intérieur de la hotte.

### Branchement des fils

⬇ : jaune/vert

N : bleu

L : marron

### Remplacement du câble d'alimentation

La hotte est dotée d'un câble d'alimentation spécial ; en cas d'endommagement, le demander au service d'assistance technique.

## ÉVACUATION DE L'AIR

(pour les versions aspirantes)

Brancher la hotte à des tubes et des orifices d'évacuation muraux ayant un diamètre équivalent à la sortie d'air (bride de raccordement).

L'utilisation des tuyaux et des orifices d'évacuation d'un diamètre inférieur diminuera l'efficacité de l'extraction et augmentera considérablement le bruit.

Nous déclinons, dans ce cas, toute responsabilité.

! La longueur du conduit doit être celle strictement indispensable.

! Utiliser un conduit avec le moins de coudes possible (angle maximal du coude : 90°).

! Éviter de changer drastiquement la section du conduit.

! L'entreprise décline toute responsabilité en cas de non-respect de ces consignes.

## FILTRANTE OU ASPIRANTE ?

! Votre hotte est prête à être utilisée en version aspirante.

Pour utiliser la hotte en version filtrante, il faut installer le KIT ACCESSOIRE dédié.

Vérifiez dans les premières pages de ce manuel si le KIT ACCESSOIRE est déjà fourni ou s'il doit être acheté à part.

Remarque : S'il est fourni, dans certains cas le système de filtration supplémentaire à base de charbon actif pourrait déjà être installé sur la hotte.

Les informations concernant la transformation de la hotte de version aspirante à version filtrante sont déjà contenues dans ce manuel.

### Version aspirante

Les vapeurs sont évacuées vers l'extérieur par un tuyau d'échappement fixé sur la bride de raccord.

## ATTENTION

Le tuyau d'évacuation n'est pas fourni et doit être acheté à part.

Le diamètre du tube d'évacuation doit être identique au diamètre de l'anneau de raccordement.

Si la hotte est dotée d'un/de filtre(s) à charbon, il(s) doit/doivent être retiré(s).

### **Version filtrante**

L'air aspiré sera dégraissé et désodorisé avant d'être renvoyé dans la pièce. Pour utiliser la hotte dans cette version, il faut installer un système de filtration supplémentaire à base de charbon actif.

## **COMMANDES**

La hotte est dotée d'un panneau de commande avec un contrôle des vitesses d'aspiration et un contrôle d'allumage de la lumière pour l'éclairage de la plaque de cuisson.



**T1**



**T2**



**T3**



**T4**

- a. Interrupteur lumières ON/OFF.
- b. Interrupteur OFF/vitesse 1
- c. Sélection vitesse 2
- d. Sélection vitesse 3

## ENTRETIEN

- **Nettoyage** : Pour le nettoyage, utiliser exclusivement un chiffon imbibé de nettoyant liquide neutre. Ne pas utiliser d'ustensiles ni d'instruments de nettoyage.

- **✕A Filtre à graisse** : Il doit être nettoyé une fois par mois (ou quand le système d'indication de saturation des filtres - si prévu sur le modèle possédé - indique ce besoin), avec des nettoyants non agressifs, manuellement ou au lave-vaisselle à faibles températures et à cycle court.

Avec le lavage au lave-vaisselle, le filtre anti-graisse métallique peut décolorer mais ses caractéristiques de filtrage restent les mêmes.

Pour démonter le filtre à graisse, tirer la poignée de décrochage à ressort.

- **✕B Filtre à charbon (seulement pour la version filtrante)**: il est monté sur le côté postérieur de la grille, il doit être remplacé une fois par mois. Il NE peut PAS être lavé ni régénéré.

### Éclairage du plan de cuisson

- **Remplacement des Ampoules** : Débrancher le produit du secteur électrique. Attention! Avant de toucher les ampoules, vérifier qu'elles sont froides. Pour le type d'ampoule à utiliser, consulter l'indication figurant dans la section des dessins.

# ÉLIMINATION EN FIN DE VIE



Cet appareil est marqué conformément à la Directive Européenne 2012/19/CE - UK SI 2013 No.3113, Déchets d'équipements électriques et électroniques (DEEE).

S'assurer que ce produit est correctement éliminé. L'utilisateur contribue à prévenir les possibles conséquences négatives pour l'environnement et la santé. Le symbole présent sur le produit ou sur la documentation qui l'accompagne indique qu'il ne doit pas être traité comme déchet ménager mais être apporté à un point de collecte pour le recyclage d'équipements électriques et électroniques. L'éliminer conformément aux réglementations locales d'élimination des déchets. Pour plus d'informations sur le traitement, la récupération et le recyclage de ce produit, contacter les autorités locales, le service de collecte des déchets ménagers ou le magasin où le produit a été acheté.

Le matériel d'emballage est 100% recyclable et est marqué du symbole



## NORMES

Équipement conçu, testé et réalisé dans le respect des normes sur la Sécurité : EN/CEI 60335-1 ; EN/CEI 60335-2- 31, EN/CEI 62233. Performance : EN/CEI 61591 ; ISO 5167-1 ; ISO 5167-3 ; ISO 5168 ; EN/CEI 60704-1 ; EN/CEI 60704-2-13 ; EN/CEI 60704-3 ; ISO 3741 ; EN 50564 ; CEI 62301. CEM : EN 55014-1 ; CISPR 14-1 ; EN 55014-2 ; CISPR 14-2 ; EN/CEI 61000-3-2 ; EN/CEI 61000-3-3.



## SUGGESTIONS D'UTILISATION

Conseils pour une utilisation correcte et destinée à réduire l'impact environnemental : Pour commencer à cuisiner, allumer l'appareil à la vitesse minimale et la laisser allumer quelques minutes, même après la fin de la cuisson. Augmenter la vitesse seulement en cas de grosses quantités de fumée et de vapeur en utilisant la fonction booster uniquement pour les cas extrêmes. Pour préserver l'efficacité du système de réduction des odeurs, remplacer le(s) filtre(s) à charbon. Nettoyer le filtre à graisse régulièrement pour en préserver l'efficacité. Pour optimiser l'efficacité et minimiser les bruits, utiliser le diamètre maximal du système de canalisation indiqué dans ce manuel.

## ANOMALIES DE FONCTIONNEMENT

En cas d'anomalie, effectuer les contrôles suivants avant de contacter le Service d'Assistance :

- Si la hotte ne fonctionne pas :

Vérifier que :

- Il n'y a pas de coupure de courant.

- Une vitesse a été sélectionnée.

- Si la hotte a un faible rendement :

Vérifier que :

- La vitesse du moteur sélectionnée est suffisante pour la quantité de fumée et de vapeurs libérée.

- La cuisine est suffisamment aérée pour permettre une prise d'air.

- Le filtre à charbon n'est pas usé (hotte en version filtrante).

- Si la hotte s'est éteinte au cours du fonctionnement normal :

Vérifier que :

- il n'y a pas de coupure de courant.

- le dispositif de coupure omnipolaire ne s'est pas déclenché.

En cas d'anomalie de fonctionnement, débrancher pendant au moins 5 s. l'appareil de l'alimentation électrique en extrayant la fiche et le rebrancher, avant de contacter le service d'assistance. Si l'anomalie persiste, contacter le service d'assistance.

## DONNÉES TECHNIQUES

Hauteur (cm)	Largeur (cm)	Profondeur (cm)	Ø du tuyau d'évacuation (cm)
7.7	59.8	47	12.5

# CE

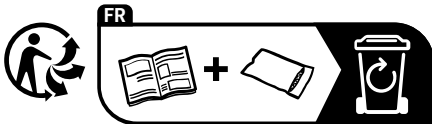
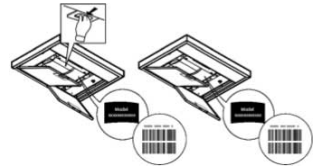


Composants non fournis avec le produit



Pour télécharger les consignes de sécurité, la notice d'utilisation, la fiche technique et les données énergétiques :

- Visitez le site Internet [docs.whirlpool.eu](http://docs.whirlpool.eu)
- Utilisez le code QR
- Ou **contacter le Service d'Assistance** (au numéro de téléphone indiqué sur le livret de garantie). En cas de contact du Service d'Assistance, indiquez les codes présents sur la plaque signalétique du produit.



## SICUREZZA GENERALE

- Non effettuare variazioni elettriche o meccaniche sul prodotto o sulle condotte di scarico.
- Prima di qualsiasi operazione di pulizia o manutenzione, disinserire il prodotto dalla rete elettrica togliendo la spina o staccando l'interruttore generale dell'abitazione.
- Per tutte le operazioni di installazione e manutenzione utilizzare guanti da lavoro.
- Il prodotto può essere utilizzato da bambini di età non inferiore a 8 anni e da persone con ridotte capacità fisiche, sensoriali o mentali, o prive di esperienza o della necessaria conoscenza, purché sotto sorveglianza oppure dopo che le stesse abbiano ricevuto istruzioni relative all'uso sicuro dell'apparecchio e alla comprensione dei pericoli ad esso inerenti.
- I bambini devono essere controllati affinché non giochino con il prodotto.
- La pulizia e la manutenzione non deve essere effettuata da bambini senza sorveglianza.
- Il locale deve disporre di sufficiente ventilazione, quando il prodotto viene utilizzato contemporaneamente ad altri apparecchi a combustione di gas o altri combustibili.
- Il prodotto va frequentemente pulito sia internamente che esternamente (ALMENO UNA VOLTA AL MESE), rispettare comunque quanto espressamente indicato nelle istruzioni di manutenzione.
- L'inosservanza delle norme di pulizia del prodotto e della sostituzione/pulizia dei filtri comporta rischi di incendi.
- E' severamente vietato fare cibi alla fiamma sotto il prodotto.
- **ATTENZIONE:** Quando il piano di cottura è in funzione le parti accessibili del prodotto possono diventare calde.
- Non collegare il prodotto alla rete elettrica finché l'installazione non è totalmente completata.
- Per quanto riguarda le misure tecniche e di sicurezza da adottare per lo scarico dei fumi attenersi strettamente a quanto previsto dai regolamenti delle autorità locali competenti.
- L'aria aspirata non deve essere convogliata in un condotto usato per lo scarico dei fumi prodotti da apparecchi a combustione di gas o di altri combustibili.
- Non utilizzare o lasciare il prodotto privo di lampade correttamente montate per possibile rischio di scossa elettrica.
- Il prodotto non va MAI utilizzato senza griglia correttamente montata.
- Il prodotto non va MAI utilizzato come piano di appoggio a meno che non sia espressamente indicato.
- Utilizzare solo le viti di fissaggio in dotazione con il prodotto per l'installazione o, se non indotazione, acquistare il tipo di viti corretto. Utilizzare la lunghezza corretta per le viti che sono identificati nella Guida all'installazione.
- **Attenzione!** La mancata installazione di viti e dispositivi di fissaggio in conformità di queste istruzioni può comportare rischi di natura elettrica.
- Per la sostituzione della lampada utilizzare solo il tipo lampada indicato nella sezione manutenzione /sistema di illuminazione di questo manuale.
- L'impiego di fiamma libera è dannoso ai filtri e può dar luogo ad incendi, pertanto deve essere evitato in ogni caso.
- La frittura deve essere fatta sotto controllo onde evitare che l'olio surriscaldato prenda fuoco.
- In caso di dubbio, consultare il centro di assistenza autorizzato o personale qualificato similare.



**Attenzione!** Non utilizzare con un programmatore, timer, telecomando separato o qualsiasi altro dispositivo che si attiva automaticamente.

• La distanza minima fra la superficie di supporto dei recipienti sul dispositivo di cottura e la parte più bassa della cappa da cucina deve essere non inferiore a 50 cm in caso di cucine elettriche e di 65 cm in caso di cucine a gas o miste.

Se le istruzioni di installazione del dispositivo di cottura a gas specificano una distanza maggiore, bisogna tenerne conto.

Tenere i bambini di età inferiore a 3 anni lontani dall'apparecchio. Senza la sorveglianza costante di un adulto, tenere l'apparecchio fuori dalla portata dei bambini di età inferiore a 8 anni.

**⚠ ATTENZIONE:** l'apparecchio non è destinato ad essere messo in funzione mediante un dispositivo esterno o un sistema di comando a distanza separato.

**⚠** Questo apparecchio non è destinato all'uso professionale. Non utilizzare l'apparecchio all'aperto.

**⚠** Per evitare il rischio di lesioni personali, l'apparecchio deve essere movimentato e installato da due o più persone.

**⚠** L'installazione, comprendente anche eventuali raccordi per l'alimentazione idrica (se previsti) e i collegamenti elettrici, e gli interventi di riparazione devono essere eseguiti da personale qualificato.

A installazione completata, conservare il materiale di imballaggio (parti in plastica, polistirolo, ecc.) fuori della portata dei bambini per evitare il rischio di soffocamento.

Non utilizzare l'apparecchio quando si è bagnati oppure a piedi nudi.

Mai utilizzare apparecchi per pulizia a vapore – rischio di shock elettrico.

**Attenersi strettamente alle istruzioni riportate in questo manuale.** Si declina ogni responsabilità per eventuali inconvenienti, danni o incendi provocati all'apparecchio derivati dall'inosservanza delle istruzioni riportate in questo manuale. L'apparecchio è destinato esclusivamente ad uso domestico per la cottura di alimenti e aspirazione dei fumi derivanti dalla cottura stessa. Non sono consentiti altri usi (es. riscaldare ambienti). Il fabbricante declina ogni responsabilità per usi non appropriati o per errate impostazioni dei comandi.

● Leggere attentamente le istruzioni: ci sono importanti informazioni sull'installazione, sull'uso e sulla sicurezza.

● Non effettuare variazioni elettriche sull'apparecchio.

● Prima di procedere all'installazione dell'apparecchio verificare che tutti i componenti non siano danneggiati. In caso contrario contattare il rivenditore e non proseguire con l'installazione.

● E' importante conservare tutti i manuali che accompagnano il prodotto per poterli consultare in ogni momento. In caso di vendita, di cessione o di trasloco, assicurarsi che restino insieme al prodotto.

L'apparecchio potrebbe avere estetiche differenti rispetto a quanto illustrato nei disegni di questo libretto, comunque le istruzioni per l'uso, la manutenzione e l'installazione rimangono le stesse.

## COLLEGAMENTO ELETTRICO

La tensione di rete deve corrispondere alla tensione riportata sull'etichetta caratteristiche situata all'interno della cappa. Se provvista di spina allacciare la cappa ad una presa conforme alle norme vigenti posta in zona accessibile anche dopo l'installazione. Se sprovvista di spina (collegamento diretto alla rete) o la spina non è posta in zona accessibile, anche dopo installazione, applicare un interruttore bipolare a norma che assicuri la disconnessione completa della rete nelle condizioni della categoria di sovratensione III, conformemente alle regole di installazione.

● **Attenzione!** Prima di ricollegare il circuito all'alimentazione di rete e di verificarne il corretto funzionamento, controllare sempre che il cavo di rete sia stato montato correttamente.

Non utilizzare prolunghe, prese multiple o adattatori.

Se il cavo non è provvisto di spina, collegare i fili attenendosi alla tabella seguente:

### Tensione e frequenza della rete

Fare riferimento al valore indicato nella etichetta caratteristiche all'interno della cappa.

### Collegamento fili

: giallo/verde

N: blu

L: marrone

## Sostituzione del cavo di alimentazione

La cappa è provvista di un cavo alimentazione speciale; in caso di danneggiamento del cavo, richiederlo al servizio assistenza tecnica.

## SCARICO DELL'ARIA

(per le versioni aspiranti)

Collegare la cappa a tubi e fori di scarico a parete con diametro equivalente all'uscita d'aria (flangia di raccordo).

L'utilizzo di tubi e fori di scarico a parete con diametro inferiore determinerà una diminuzione delle prestazioni di aspirazione ed un drastico aumento della rumorosità.

Si declina perciò ogni responsabilità in merito.

! Usare un condotto lungo il minimo indispensabile.

! Usare un condotto con minor numero di curve possibile (angolo massimo della curva: 90°).

! Evitare cambiamenti drastici di sezione del condotto.

! L'azienda declina ogni responsabilità qualora queste norme non vengano rispettate.

## FILTRANTE O ASPIRANTE?

! La vostra cappa è pronta per essere utilizzata in versione aspirante.

Per utilizzare la cappa in versione filtrante va installato l'apposito KIT ACCESSORIO.

Verificate nelle prime pagine di questo manuale se il KIT ACCESSORIO è già fornito a corredo o va acquistato a parte.

Nota: Se fornito a corredo, in alcuni casi, il sistema di filtraggio aggiuntivo a base di carboni attivi potrebbe essere già installato sulla cappa.

Le informazioni per la trasformazione della cappa da versione aspirante a versione filtrante sono già contenute in questomanuale.

### Versione aspirante

I vapori vengono evacuati verso l'esterno tramite un tubo di scarico fissato alla flangia di raccordo.

## ATTENZIONE

Il tubo di evacuazione non è fornito e va acquistato.

Il diametro del tubo di scarico deve essere equivalente al diametro dell'anello di connessione.

Se la cappa è provvista di filtro/i a carbone, questo/i deve/devono essere rimosso/i.

#### **Versione filtrante**

L'aria aspirata verrà sgrassata e deodorata prima di essere riconvogliata nella stanza. Per utilizzare la cappa in questa versione è necessario installare un sistema di filtraggio aggiuntivo a base di carboni attivi.

## **COMANDI**

La cappa è fornita di un pannello comandi con un controllo delle velocità di aspirazione ed un controllo di accensione della luce per l'illuminazione del piano di cottura.



**T1**



**T2**



**T3**



**T4**

- a. Interruttore luce ON/OFF.
- b. Interruttore OFF/velocità 1
- c. Selezione velocità 2
- d. Selezione velocità 3

## MANUTENZIONE

- **Pulizia:** Per la pulizia usare esclusivamente un panno inumidito con detersivi liquidi neutri. Non utilizzare utensili o strumenti per la pulizia.

- **✕A Filtro Antigrasso:** Deve essere pulito una volta al mese (o quando il sistema di indicazione di saturazione dei filtri - se previsto sul modello in possesso- indica questa necessità), con detersivi non aggressivi, manualmente oppure in lavastoviglie a basse temperature ed a ciclo breve.

Con il lavaggio in lavastoviglie il filtro antigrasso metallico può scolorirsi ma le sue caratteristiche di filtraggio non cambiano assolutamente.

Per smontare il filtro grassi tirare la maniglia di sgancio a molla.

- **✕B Filtro carbone (solo per versione filtrante):** è montato sul lato posteriore della griglia deve essere sostituito una volta al mese. NON può essere lavato o rigenerato.

### Illuminazione

- **Sostituzione Lampade :** Disinserire il prodotto dalla rete elettrica. Attenzione! Prima di toccare le lampade sincerarsi che siano fredde. Per la tipologia di lampada da utilizzare consultare l'indicazione riportata nella sezione dei disegni.

# SMALTIMENTO A FINE VITA



Questo apparecchio è contrassegnato in conformità alla Direttiva Europea 2012/19/EC - UK SI 2013 No.3113, Waste Electrical and Electronic Equipment (WEEE).

Assicurandosi che questo prodotto sia smaltito in modo corretto. L'utente contribuisce a prevenire le potenziali conseguenze negative per l'ambiente e la salute. Il simbolo sul prodotto o sulla documentazione di accompagnamento indica che questo prodotto non deve essere trattato come rifiuto domestico ma deve essere consegnato presso l'adeguato punto di raccolta per il riciclaggio di apparecchiature elettriche ed elettroniche. Disfarsene seguendo le normative locali per lo smaltimento dei rifiuti. Per ulteriori informazioni sul trattamento, recupero e riciclaggio di questo prodotto, contattare l'adeguato ufficio locale, il servizio di raccolta dei rifiuti domestici o il negozio presso il quale il prodotto è stato acquistato.

Il materiale dell'imballo è riciclabile al 100% ed è contrassegnato con il simbolo del riciclo



## NORMATIVE

Apparecchiatura progettata, testata e realizzata nel rispetto delle norme sulla Sicurezza: EN/IEC 60335-1; EN/IEC 60335-2-31, EN/IEC 62233. Prestazione: EN/IEC 61591; ISO 5167-1; ISO 5167-3; ISO 5168; EN/IEC 60704-1; EN/IEC 60704-2-13; EN/IEC 60704-3; ISO 3741; EN 50564; IEC 62301. EMC: EN 55014-1; CISPR 14-1; EN 55014-2; CISPR 14-2; EN/IEC 61000-3-2; EN/IEC 61000-3-3.

## SUGGERIMENTI DI UTILIZZO

Suggerimenti per un corretto utilizzo al fine di ridurre l'impatto ambientale: Quando si inizia a cucinare, accendere l'apparecchio alla velocità minima, lasciandola accesa per alcuni minuti anche dopo il termine della cottura. Aumentare la velocità solo in caso di grandi quantità di fumo e vapore, utilizzando la funzione booster solo in casi estremi. Per mantenere ben efficiente il sistema di riduzione degli odori, sostituire, quando è necessario, il/i filtro/i carbone. Per mantenere ben efficiente il filtro del grasso, pulirlo in caso di necessità. Per ottimizzare l'efficienza e minimizzare i rumori, utilizzare il diametro massimo del sistema di canalizzazione indicato in questo manuale.

## ANOMALIE DI FUNZIONAMENTO

Se qualcosa non sembra funzionare, prima di chiamare il Servizio Assistenza effettuare i seguenti semplici controlli:

- Se la cappa non funziona:

Verificare che:

-Non c'è interruzione di corrente

-È stata selezionata una velocità

- Se la cappa ha un rendimento scarso:

Verificare che:

-La velocità motore selezionata è sufficiente per la quantità di fumo e di vapori liberata.

-La cucina è sufficientemente areata per permettere una presa d'aria.

-Il filtro carbone non è consumato (cappa in versione filtrante).

- Se la cappa si è spenta nel corso del normale funzionamento:

Verificare che:

-non c'è interruzione di corrente.

-il dispositivo di interruzione omnipolare non è scattato.

In caso di eventuali anomalie di funzionamento, prima di rivolgerVi al servizio assistenza scollegate per almeno 5 sec. l'apparecchio dall'alimentazione elettrica estraendo la spina e collegatelo poi nuovamente. Nel caso in cui l'anomalia di funzionamento dovesse perdurare, rivolgersi al servizio d'assistenza.

## DATI TECNICI

Altezza (cm)	Larghezza (cm)	Profondità (cm)	Ø del tubo di scarico (cm)
7.7	59.8	47	12.5

# CE

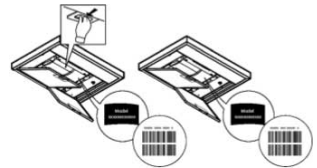


## Componenti non in dotazione con il prodotto



Per scaricare le istruzioni di sicurezza, il manuale d'uso, la scheda tecnica e i dati energetici:

- Visitare il sito web [docs.whirlpool.eu](http://docs.whirlpool.eu)
- Usare il codice QR
- Oppure, **contattare il Servizio Assistenza** (al numero di telefono riportato sul libretto di garanzia). Quando si contatta il Servizio Assistenza, fornire i codici presenti sulla targhetta matricola del prodotto.



## التحذيرات والتركيب - AR

- لا تقم بعمل أية تعديلات كهربائية أو ميكانيكية على المنتج وعلى أنابيب الطرد والتفريغ. • قبل البدء في أية عمليات تنظيف أو صيانة، يجب فصل المنتج عن شبكة التيار الكهربائي، وذلك بزعق القابس من مقبس التيار أو بعلق قاطع التيار العمومي الخاص بالترزل. • يجب ارتداء قفازات الحماية عند القيام بجمع عمليات التركيب والصيانة. • يمكن استخدام هذا الجهاز من قبل الأطفال الأكبر من سن 8 سنوات والأشخاص الذين يعانون من قصور في قدراتهم البدنية أو الحسية أو العقلية، أو الذين لديهم نقص في الخبرة اللازمة أو المعرفة الضرورية لاستخدام هذه الجهاز شريطة أن يكونوا تحت ملاحظة وإشراف شخص بالغ أو بعد تعريفهم بالإرشادات والتعليمات اللازمة للاستخدام الصحيح لهذا الجهاز وبعد توحيهم بالأخطار ذات الصلة. • يجب مراقبة الأطفال للتأكد من عدم لعبهم بهذا المنتج. • لا يجب أن تُفقد النظافة والصيانة من قبل أطفال دون مراقبة. • يجب توفير هوية جيدة وكافية في مكان التركيب خاصة عندما يتم استخدام المنتج في نفس وقت تشغيل أجهزة أخرى تعمل بالغاز أو بأية محروقات أخرى. • يجب باستمرار تنظيف هذا المنتج سواء من الداخل أو من الخارج (على الأقل مرة واحدة كل شهر)، مع ضرورة مراعاة وإحترام ما هو مذكور من إرشادات الصيانة الواردة في هذا الدليل. • عدم مراعاة واحترام قواعد تنظيف المنتج وعمليات استبدال وتنظيف المرشحات سيسبب أخطار عديدة ويسبب الحرائق. • ممنوع معاً بادئاً طهي الطعام باللهب تحت المنتج. • تنبيه: عند استخدام موقد الطهي المسطح تصبح الأجزاء القريبة من المنتج ساخنة. • لا توصل المنتج بشبكة التيار الكهربائي إلا بعد الانتهاء تماماً من تركيبه. • فيما يخص الإحراجات الفنية وتلك الخاصة بالأمن والسلامة والتي يجب إتخاذها لشطف وطرد الأدخنة، يجب الرجوع دائماً إلى ما تنص عليه لوائح وقوانين السلطات المحلية المعنية بهذا الشأن والالتزام بها. • يجب عدم نقل الجهاز الذي يتم شطفه في الأنابيب المستخدمة لطرد الأدخنة الناتجة عن أجهزة الاحتراق التي تعمل بالغاز أو بأية محروقات أخرى. • لا تستخدم المنتج أو تتركه دون مصابيح إضاءة والتي يجب تركيبها بالشكل الصحيح لتجنب التعرض للصدمات الكهربائية. • يجب ألا يُستخدم هذا المنتج مطلقاً دون أن تكون الشبكة الخاصة به مثبتة بالشكل الصحيح. • لا يجب مطلقاً استخدام هذا المنتج كسطح لسند وحمل الأشياء عليه ما لم يُسمح بذلك صراحة. • استخدم فقط براغي التثبيت التي تأتي بصحبة الجهاز لإتمام عملية التركيب أو، في حالة أنها لا تأتي مع الجهاز، قم بشراء براغي ذات نوعية مناسبة وصحيحة. استخدم الأطوال الصحيحة للبراغي والتي تم تحديدها في دليل عملية التركيب.

- **تنبيه!** عدم تركيب براغي وأجهزة التركيب بالشكل المحدد في الإرشادات الواردة في هذا الدليل يمكن أن يعرضك لأخطار كهربائية.
- من أجل استبدال المصباح، لا تستخدم إلا نوع المصباح المشار إليه في قسم الصيانة/نظام الإضاءة في هذا الدليل. • استخدام اللهب الحُر صار بالمرشحات ويمكن أن يسبب حرائق، لذلك يجب تجنب القيام بذلك في جميع الأحوال. • يجب أن يتم القلي تحت مراقبة لمنع اشتعال الزيت الساخن. • في حالة الشك، استشر مركز الدعم الفني المعتمد أو العمالة المؤهلة المماثلة.

- **تنبيه!** لا تستخدم الجهاز مع أداة برجية أو مؤقت أو جهاز تحكم عن بعد منفصل أو أي جهاز يتم تنشيطه تلقائياً.
- يجب ألا تقل المسافة الدنيا بين السطح الداعم للمحاريب على جهاز الطهي والأجزاء السفلى من شفاط موقد الطهي عن 50 cm في حالة موقد الطهي الكهربائي و 65 cm في حالة موقد الطهي الذي يعمل بالغاز أو المحلظ.

- إذا ما كانت التعليمات الخاصة بتركيب جهاز الطهي الذي يعمل بالغاز تُحدّد مسافة فاصلة أكبر، فإنه يجب أخذ ذلك في الاعتبار.
- أبق الأطفال الذين تقل أعمارهم عن 3 سنوات بعيدين عن الجهاز. أبق الجهاز بعيداً عن الأطفال الذين تقل أعمارهم عن 8 سنوات، في حالة عدم وجود مراقبة مستمرة من أحد البالغين.

- **تنبيه!** الجهاز غير مخصص للتشغيل بواسطة جهاز خارجي أو جهاز تحكم منفصل عن بعد.
- هذا الجهاز غير مخصص للاستخدام المهني. لا تستخدم الجهاز في مكان مفتوح.
- من أجل تجنب خطر الإصابات الشخصية، يجب تحريك الجهاز وتركيبه بواسطة شخصين أو أكثر.
- يجب إحراج التركيب من قبل طاقم عمل مؤهل، بما في ذلك أيضاً أية توصيلات للتغذية بالماء (إن وجدت) والتوصيلات الكهربائية، وعمليات الإصلاح.
- عند اكتشاف التركيب، احتفظ بمواد التغليف (الأجزاء البلاستيكية، البوليمسترين، الخ) بعيداً عن متناول الأطفال لتجنب خطر الاحتراق.
- لا تستخدم الجهاز عندما تكون مبتلاً أو حافي القدمين.

- لا تستخدم أبداً أجهزة التنظيف بالبخار – يوجد خطر التعرض لصدمة كهربائية.
- يرجى اتباع التعليمات والإرشادات الواردة في هذا الدليل والالتزام بها. لا تتحمل الشركة المصنعة أية مسؤولية أياً كانت عن أية مشاكل أو أضرار أو حرائق تلحق بالجهاز نتيجة لعدم مراعاة التعليمات الواردة في هذا الدليل. صمّم هذا الجهاز للاستخدامات المنزلية فقط في طهي المواد الغذائية وشطف الأدخنة والأبخرة الناتجة عن عملية الطهي هذه. غير مسموح بأية استخدامات أخرى (مثل، على سبيل المثال، تدفئة البيئة المحيطة). لا تتحمل الشركة المصنعة أية مسؤولية كانت عن أية استخدامات غير مناسبة للجهاز ولا عن أية أضرار أو تلفيات قد تحدث نتيجة للإعداد الخاطئ للتشغيل.
- اقرأ الإرشادات بعناية وحرص: حيث توجد معلومات هامة حول عمليات التركيب والاستخدام والأمان والسلامة.
- لا تُنفذ أية تعديلات كهربائية على الجهاز.

- قبل القيام بتركيب الجهاز تحقق من أن جميع المكونات غير تالفة. خلاف ذلك يجب الإتصال بوكيل التوزيع ويجب إيقاف عملية التركيب.
- من المهم حفظ جميع الكتيبات المُرفقة للمنتج للتأكد من الاطلاع عليها مستقبلاً عند الحاجة إلى ذلك. في حالة البيع أو التنازل أو النقل، تأكد من أن الكتيبات تبقى مع المنتج.

- يمكن لهذا الجهاز من الناحية الشكلية أن يختلف عمداً هو واردة في تصميمات هذا الدليل، وفي جميع الأحوال فإن تعليمات الاستخدام والصيانة والتركيب تظل نفسها صالحة لكل أشكال هذا الجهاز.

### التوصيل الكهربائي

- يجب أن يتوافق تردد وفلظية التيار الموجود في شبكة التيار الكهربائي المنزلية مع تردد وفولطية التيار المحدد لتشغيل الشفّاط المذكور على لوحة البيانات التعريفية والمواصفات الموجودة داخل الشفّاط. في حالة وجود قابس تيار قم بتوصيل الشفّاط بمأخذ تيار مطابق للقواعد والقوانين المعمول بها في هذا الشأن والذي يجب توحيده في منطقة قريبة سهلة الوصول إليها أيضاً بعد إتمام عملية التركيب. في حالة عدم وجود قابس التيار (للتوصيل المباشر بشبكة التيار) أو في حالة أن قابس التيار موجود في مكان بعيد صعب الوصول إليه، يجب عند إتمام عملية التركيب، قم بوضع مفتاح قطع وتوصيل تيار ثنائي الأقطاب مطابق للمواصفات التي تضمن الفصل الكامل للتيار الكهربائي في حالات الحمولات الكهربائية الزائدة من الفئة III، بالشكل الذي يتطابق مع قواعد وشروط التركيب.

● **تنبيه!** قبل إعادة توصيل دائرة التشغيل بشبكة التيار الكهربائي وقبل التأكد من عملها بالشكل الصحيح، يجب دائماً التحقق أولاً من أن كابل التيار قد تم تركيبه بالشكل الصحيح.

لا تستخدم أسلاك التطويل، المقابس المتعددة أو المحولات.  
إذا كان الكابل غير مزود بمقابس، قم بتوصيل الأسلاك بموجب الجدول التالي:

### جهد وتردد الشبكة

يُرجى الرجوع إلى القيمة المشار إليها في ملصق المواصفات داخل الشفط.

### توصيل الأسلاك

⚡: أصفر/أخضر

N: أزرق

L: بني

### استبدال كابل التيار الكهربائي

الشفط مزود بكابيل تغذية خاص؛ في حالة تلف الكابل، اطلبه من خدمة الدعم الفني.

## صرف الهواء

(الموديلات الشفط)

قم بتوصيل الشفط بأنابيب وفتحات التفريغ الحائطية والتي قُطرها يجب أن يكون مساوي لمخرج الهواء (حافة الوصلة).

استخدام أنابيب أو فتحات تفريغ حائطية بقطر أقل يمكن أن يتسبب في تقليل مستوى الأداء التشغيلي لعملية الشفط ويؤدي إلى زيادة كبيرة وملحوظة في مستوى الضوضاء.  
لا تتحمل الشركة المصنعة أية مسؤولية كانت في هذا الشأن.

! استخدم أنبوب بأقل طول ضروري.

! استخدم أنبوب به أقل قدر ممكن من الكواح الانحناءات (الحد الأقصى لزاوية الانحناء: 90°).

! تجنّب التغييرات العنيفة لقطاع الأنبوب.

! لا تتحمل الشركة المصنعة أية مسؤولية في حالة عدم الالتزام بهذه التوجيهات.

## موديل الترشيح أو موديل الشفط؟

! الشفط الخاص بكم جاهز لكي يستخدم بإصدار الشفط.

من أجل استخدام الشفط بإصدار الترشيح فإنه يجب تركيب طقم الملحقات المخصص لذلك.

تأكدوا في الصفحات الأولى من هذا الدليل إذا كان طقم الملحقات وارد بالفعل أو أنه يجب شراؤه منفصلاً.

ملاحظة: إن تم توريده، فإن نظام الترشيح الإضافي المكون من الكربون النشط قد يكون متركباً بالفعل على الشفط.

المعلومات الخاصة لتغيير الشفط من موديل شفط إلى موديل ترشيح موجودة في هذا الكتيب.

### موديل الشفط

يتم طرد الأبخرة إلى الخارج عن طريق أنبوب التفريغ المثبت على حافة الوصلة.



انتبه

أنبوب التفريغ لا يأتي مع الجهاز ويجب شراؤه.

قُطر أنبوب التفريغ يجب أن يكون مساوي لقُطر حلقة التوصيل.

إذا كان الشفط مزود بمرشح / مرشحات كربون، يجب إزالة هذا المرشح / المرشحات.

### موديل الترشيح

يتم تخليص الهواء المشفوط من الدهون ثم إزالة الروائح الكريهة منه قبل إعادة ضخه في الغرفة. من أجل استخدام الشفط بهذا الإصدار يجب تركيب نظام ترشيح إضافي يعمل

بالكربون النشط.

## أوامر ومفاتيح تشغيل

تم تزويد الشفط بلوحة أوامر ومفاتيح تشغيل من خلالها يتم التحكم في

سرعات الشفط وإضاءة مصابيح إنارة موقد الطهي المسطح



T1



T2



T3



T4



## الصيانة

- **النظافة:** بشأن النظافة استخدم حصراً قطعة قماش مرطبة بمخففات سائلة محايدة. لا تستخدم أية أدوات أو معدات لإجراء التنظيف.

**XA** **مرشح إزالة الدهون:** يجب تنظيفه مرة واحدة كل شهر (أو عندما يشير نظام التنبيه الخاص بنشبع المرشحات - إذا ما نُصِّ على ذلك في الموديل المملوك - فإنه يشير إلى ضرورة القيام بتنظيفها)، باستخدام منظّفات غير عدوانية، سواء بشكل يدوي أو في غسّالة الأطباق بدرجات حرارة منخفضة وبدورة تنظيف قصيرة.

عند الغسيل في غسّالة الأطباق فإن مرشح إزالة الدهون المعدني يمكن أن يفقد لونه ولكن خصائصه ومواصفاته المتعلقة بعملية الترشيح لا تتغير مطلقاً. لإزالة مرشح الدهون قم بمبض الفك ذي النابض.

- **XB** **مرشح الكربون (فقط في موديل الترشيح):** مثبت على الجانب الخلفي من الشبكة ويجب استبداله مرة في الشهر. لا يجوز غسله أو إعادة تنشيطه.

## الإضاءة

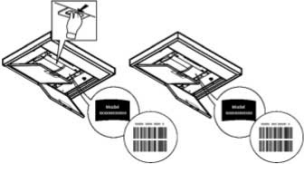
- **استبدال المصابيح:** أفضل المنتج عن شبكة التيار الكهربائي. تنبيه! قبل لمس المصابيح، تأكّد من أنها باردة. لنوعية المصباح المستخدم يرجى الاطلاع على الإرشادات المذكورة في قسم التصميمات.



# CE



مكونات غير مزودة مع الجهاز



من أجل تنزيل تعليمات السلامة ودليل الاستخدام والوثيقة الفنية وبيانات الطاقة:

- زوروا الموقع الإلكتروني [docs.whirlpool.eu](https://docs.whirlpool.eu)
- استخدم رمز الاستجابة السريعة
- أو، اتصل بخدمة الدعم الفني (على رقم الهاتف الوارد على كتيب الضمان). عند الاتصال بمركز الدعم الفني، قم بتزويدهم بالكود الموجودة على لوحة الرقم المسلسل للمنتج.



