



Built-in Oven
User Manual
Forno incassato
Manuale utente



BBIM13100X

EN / IT

385.4416.93/R.AA/31.03.2022

7757883862



Dear Customer,

Please read this manual before using the product.

Beko thank you for choosing the product. We want your product, manufactured with high quality and technology, to offer you the best efficiency. To do this, carefully read this manual and any other documentation provided before using the product and keep it as a reference. If you give the product to someone else, give the manual with it. Follow the instructions, taking into account all the information and warnings stated in the user manual.

Heed all information and warnings in the user manual. This way, you will protect yourself and your product against the dangers that may occur.

Keep the user manual. If you give the product to someone else, give the manual with it. The user manual contains the following symbols:



Hazard that may result in death or injury.

NOTICE Hazard that may result in material damage to the product or its environment.



Hazard that may result in burns due to contact with hot surfaces.



Important information or useful usage tips.



Read the user manual.



Arçelik A.Ş.
Karaağaç caddesi No:2-6
34445 Sütlüce/Istanbul/TURKEY

Made in TURKEY

This product was manufactured using the latest technology in environmentally friendly conditions.

TABLE OF CONTENTS

1 Safety instructions 4

Purpose of usage	4
Child, vulnerable person and pet safety	4
Electrical safety	5
Transportation safety	7
Installation safety	7
Safety of use	7
Temperature warnings	8
Accessory use	8
Cooking safety	9
Maintenance and cleaning safety	9

2 Environmental Instructions 11

Waste regulation	11
Compliance with the WEEE Directive and Disposing of the Waste Product	11
Package information	11
Recommendations for energy saving	11

3 Your product 12

Product introduction	12
Product control panel introduction and usage	13
Oven control	13
Oven operating functions	14
Product accessories	15
Use of product accessories	16
Technical specifications	18

4 First use 19

First cleaning	19
----------------------	----

5 How to operate the oven 20

General information on oven usage	20
Operation of the oven control unit	20

6 General information about cooking 22

General warnings about cooking in the oven	22
Pastries and oven food	22
Meat, Fish and Poultry	25
Grill	26
Test foods	27

7 Maintenance and care 29

General cleaning information	29
Cleaning the accessories	30
Cleaning the control panel	30
Cleaning the inside of the oven (cooking area)	30
Easy Steam Cleaning	31
Cleaning the oven door	32
Removing the inner glass of the oven door	33
Cleaning the oven lamp	34

8 Troubleshooting 36

1 Safety instructions

- This section contains safety instructions that will help prevent any risks of personal injuries or material damage.
 - If the product is transferred to another person or used second hand, the operating manual, product labels, other relevant documents and accessories should be delivered with the product.
 - Our company shall not be held responsible for any damage that may occur as a result of failure to comply with these instructions.
 - Failure to comply with these instructions shall render any warranty void.
 - **⚠** Always have the installation and repair work performed by the manufacturer, the authorized service or a person specified by the importer.
 - **⚠** Use genuine spare parts and accessories only.
 - **⚠** Do not attempt to repair or replace any part of the product unless it is clearly specified in the operating manual.
 - **⚠** Do not perform technical modifications on the product.
- ⚠ Purpose of usage**
- This product is designed for home use. It is not suitable for commercial use.
 - Do not use the product in gardens, balconies or other outdoor environments. The appliance is intended to be used in household and staff kitchen areas in shops, offices and other working environments.
 - **WARNING:** This product should be used for cooking purposes only. It should not be used for different purposes, such as heating the room.
 - The oven can be used to defrost, bake, fry and grill food.
 - This product; should not be used for heating, plate heating, hanging towels or clothes on the handle for drying.
- ⚠ Child, vulnerable person and pet safety**
- This product can be used by children 8 years of age and

- older, and people who are underdeveloped in physical, sensory or mental skills, or lack of experience and knowledge, as long as they are supervised or trained about the safe use and hazards of the product.
- Children should not play with the product. Cleaning and user maintenance should not be performed by children unless there is someone overseeing them.
 - This product should not be used by people with limited physical, sensory or mental capacity (including children), unless they are kept under supervision or receive the necessary instructions.
 - Children should be supervised to ensure that they do not play with the product.
 - Electrical products are dangerous for children and pets. Children and pets must not play with, climb on, or enter the product.
 - Do not put objects that children may reach on the product.
 - **WARNING:** During use, the accessible surfaces of the

product are hot. Keep children away from the product.

- Keep the packaging materials out of the reach of children. There is a hazard of injury and suffocation.
- When the door is open, do not put any heavy objects on it or allow children to sit on it. You may cause the oven to tip over or damage the door hinges.
- **(Not all products are supplied with a plug, so if your product DOES have a plug)** For the safety of children, disconnect the power plug and make the product inoperable before disposing of the product.



Electrical safety

- Connect the product into a grounded outlet protected by a fuse that matches the current ratings indicated on the type label. Have the grounding installation made by a qualified electrician. Do not use the product without grounding in accordance with local / national regulations.
- The plug or the electrical connection of the product

- should be in an easily accessible place (where it will not be affected by the flame of the stove). If this is not possible, there should be a mechanism (fuse, switch, switch, etc.) on the electrical installation to which the product is connected, in compliance with the electrical regulations and separating all poles from the network.
- The product must not be connected into the outlet during installation, repair, and transportation.
 - Connect the product into an outlet that meets the voltage and frequency values specified on the type label.
 - **(Not all products are supplied with a supply cord, so if your product DOES NOT have a supply cord)**
Use only the connecting cable specified in the "Technical specifications" section.
 - Do not jam the power cord under and behind the product. Do not put a heavy object on the power cord. The power cord should not be bent, crushed, and come into contact with any heat source.
 - While the oven is operating, its back surface also gets hot. Power cords must not touch the back surface, connections may be damaged.
 - Do not jam the electric cables into the oven door and pass them over hot surfaces. You may cause the oven to short circuit and catch fire as a result of the cable melting.
 - Use original cable only. Do not use cut or damaged cables or extension leads.
 - If the power cord is damaged, it must be replaced by a manufacturer, an authorized service or a person to be specified by the importer company in order to prevent possible dangers.
 - **WARNING:** Before replacing the oven lamp, be sure to disconnect the product from the mains supply to avoid the risk of electric shock. Switch off the product or turn off the fuse from the fuse box.

(Not all products are supplied with a plug, so if your product DOES have a plug)

- Do not plug the product into an outlet that is loose, has come out of its socket, is broken, dirty, oily, with risk of water contact (for example, water that may leak from the counter).
- Never touch the plug with wet hands! To unplug, do not hold the cord, always hold the plug.
- Make sure that the product plug is securely plugged into the outlet to avoid arcing.

! Transportation safety

- Disconnect the product from the mains before transporting the product.
- The product is heavy, carry the product with at least two people.
- Do not use the door and / or handle to transport or move the product.
- Do not put other items on the product and carry the product upright.
- When you need to transport the product, wrap it with bubble wrap packaging material or thick cardboard

and tape it tightly. Secure the product tightly with tape to prevent the removable or moving parts of the product and the product from damage.

- Check the overall appearance of the product for any damage that may have occurred during transportation.

! Installation safety

- Before the product is installed, check the product for any damage. If the product is damaged, do not install it.
- Do not install the product near heat sources (radiators, stoves, etc.).
- Keep all ventilation ducts open around the product.
- To prevent overheating, the product should not be installed behind decorative doors.

! Safety of use

- Make sure that the product is turned off after each use.
- If you do not use the product for a long time, disconnect it or turn off the fuse from the fuse box.

- Do not operate defective or damaged product. If any, disconnect the electricity / gas connections of the product and call the authorized service.
- Do not use the product with the front door glass removed or broken.
- Do not climb on the product to reach anything or for any other reason.
- Do not use the product in situations that may affect your judgment, such as drug intake and / or alcohol use.
- Flammable objects kept in the cooking area may catch fire. Never store flammable objects in the cooking area.
- The oven handle is not a towel dryer. When using the product, do not hang towels, gloves or similar textiles.
- The hinges of the product door move and tighten when opening and closing the door. When opening / closing the door, do not hold the part with the hinges.



Temperature warnings

- **WARNING:** While the product is operating, exposed parts will be hot. Do

not touch the product and heating elements. Children under the age of 8 should not be brought close to the product without an adult.

- Do not place flammable / explosive materials near the product, as the edges will be hot while it is operating.
- As steam may be exhaled, keep away while opening the oven door. The steam may burn your hand, face and / or eyes.
- The product may be hot during use. Do not touch the hot compartments, the interior parts of the oven, the heating elements, etc.
- When placing food in the hot oven, removing the food, etc. always use heat resistant oven gloves.



Accessory use

- It is important that the wire grill and tray are placed properly on the wire shelves. For detailed information, refer to the section "Usage of accessories".
- Accessories can damage the door glass when closing the product door. Always push

the accessories to the end of the cooking area.



Cooking safety

- Be careful when using alcohol in your food. Alcohol evaporates at high temperatures and may catch fire when exposed to hot surfaces, causing a fire.
- Food waste, oil, etc. in the cooking area may catch fire. Before cooking, remove such coarse dirt.
- Food Poisoning Hazard: Do not keep food in the oven for more than an hour before and after cooking. Otherwise it may cause food poisoning or diseases.
- Do not heat closed tin cans and glass jars. Built up pressure may cause the jar to burst.
- Place the greaseproof paper in a cookware or on the oven accessory (tray, wire grill, etc.) with food and place it in the preheated oven. Remove any excessive pieces of greaseproof paper hanging from the accessory or container to avoid the risk of touching the oven heating elements. Never use

greaseproof paper at an oven temperature higher than the maximum use temperature specified on the greaseproof paper you are using. Never place greaseproof paper on the oven base.

- Do not place baking trays, plates or aluminum foil directly on the bottom of the oven. The accumulated heat can damage the base of the oven.
- Close the oven door during grilling. Hot surfaces may cause burns!
- Food not suitable for grilling carries a fire hazard. Grill only food that is suitable for heavy grill fire. Also, do not place the food too far in the back of the grill. This is the hottest area and fatty foods may catch fire.



Maintenance and cleaning safety

- Wait for the product to cool before cleaning the product. Hot surfaces may cause burns!
- Never wash the product by spraying or pouring water on it! There is an electric shock hazard!

- Do not clean the product with steam cleaners as this may cause electric shock.
- Do not use harsh abrasive cleaners, metal scrapers, wire wool or bleach materials

to clean the oven front door glass / (if present) oven upper door glass. These materials can cause glass surfaces to be scratched and broken.

2 Environmental Instructions

Waste regulation

Compliance with the WEEE Directive and Disposing of the Waste Product



This product complies with EU WEEE Directive (2012/19/EU). This product bears a classification symbol for waste electrical and electronic equipment (WEEE).

This product has been manufactured with high quality parts and materials which can be reused and are suitable for recycling. Do not dispose of the waste product with normal domestic and other wastes at the end of its service life. Take it to the collection center for the recycling of electrical and electronic equipment. Please consult your local authorities to learn about these collection centers.

Appropriate disposal of used appliance helps prevent potential negative consequences for the environment and human health.

Compliance with RoHS Directive:

The product you have purchased complies with EU RoHS Directive (2011/65/EU). It does not contain harmful and prohibited materials specified in the Directive.

Package information

- Packaging materials of the product are manufactured from recyclable

materials in accordance with our National Environment Regulations. Do not dispose of the packaging materials together with the domestic or other wastes. Take them to the packaging material collection points designated by the local authorities.

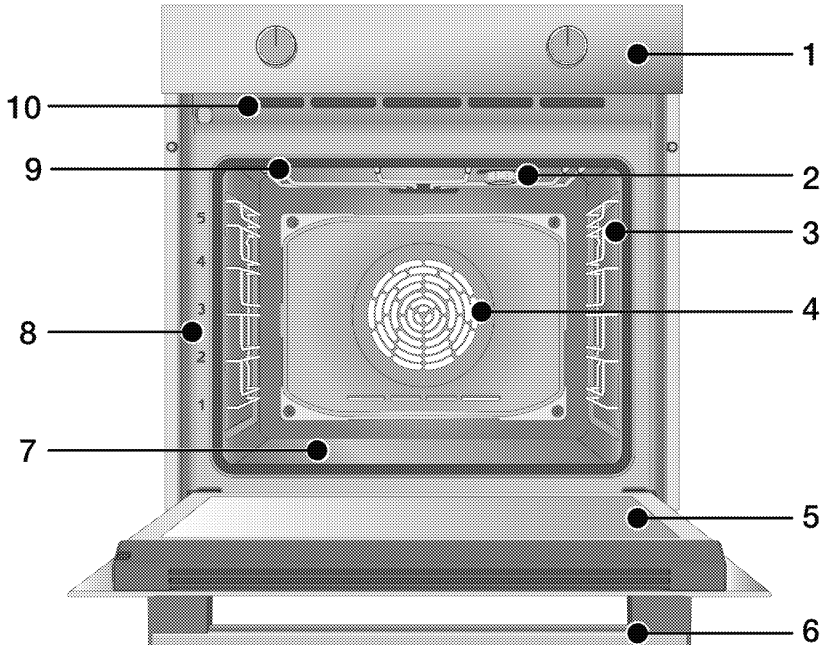
Recommendations for energy saving

Information on energy efficiency according to EU 66/2014 can be found on the product fiche given with the product. The following suggestions will help you use your product in an ecological and energy-efficient way:

- Defrost frozen food before cooking.
- In the oven, use dark or enamelled containers that transmit heat better.
- Turn off the product 5 to 10 minutes before the end time of cooking for prolonged cooking. Now you can save up to 20% electricity by using heat.
- If specified in the recipe or user manual, always preheat. Do not open the oven door frequently during cooking.
- Try to cook more than one dish at a time in the oven. You can cook at the same time by placing two cooking containers on the wire shelf. In addition, if you cook your meals one after the other, it will save energy because the oven will not lose its heat.

3 Your product

Product introduction



- 1 Control panel
- 2 Lamp*
- 3 Wire shelves**
- 4 Fan motor (behind steel plate)
- 5 Door
- 6 Handle
- 7 Bottom heater (bottom steel plate)
- 8 Shelf positions
- 9 Top heater

- 10 Ventilation holes

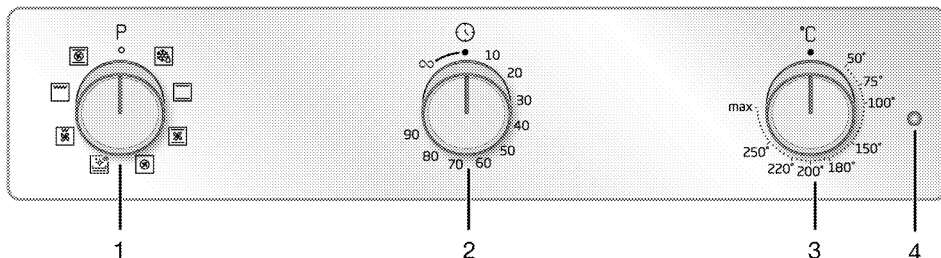
* It depends on the model. Your product may not have a lamp, or the type and location of the lamp may differ from the illustration.

** It depends on the model. Your product may be without wire shelves. In the illustration, wire shelves are shown as examples.

Product control panel introduction and usage

In this section, you can find the overview and basic uses of the product's control panel. There may be differences in images and some features depending on the type of product.

Oven control



- 1 Function selection knob
- 2 Timer
- 3 Temperature knob
- 4 Thermostat lamp

If there are knob (s) controlling your product, these knob (s) may be recessed in the panel that come out when pressed in on some models. For settings to be made with these knobs, first push the relevant knob in and pull out the knob. After making your adjustment, press it in again and replace the knob.

Function selection knob

You can select the oven operating functions with the function selection knob. Turn left / right from closed (top) position to select.


Temperature knob


You can select the temperature you want to cook with the temperature knob. Turn clockwise from the closed (top) position to select.

Temperature indicator

You can understand the oven interior temperature from the temperature lamp. The temperature lamp is located on the control panel. The temperature lamp turns on when the product starts, and the temperature lamp turns off when it reaches the set temperature. When the temperature inside the oven drops below the set temperature, the temperature lamp turns on again.








Timer


You can cook by setting a certain cooking time with the timer knob. If you turn the knob to the  symbol, you can cook manually (under your control).

Indicator	Description
10 - 90 or 100	Adjustable cooking time
	Manual cooking symbol

Oven operating functions

On the function table; the operating functions you can use in your oven and the highest and lowest temperatures that can be set for these functions are shown. The order of the operating modes shown here may differ from the arrangement on your product.

Function symbol	Function description	Temperature range (°C)	Description and use
	Operating with fan	-	The oven is not heated. Only the fan (on the back wall) operates. Frozen food with granules is slowly defrosted at room temperature, cooked food is cooled. The time required to thaw a whole piece of meat is longer than the food with grains.
	Top and bottom heating	*	Food is heated from above and below at the same time. Suitable for cakes and stews in baking molds or cakes and pastries. Cooking is done with a single tray.
	Bottom heating	*	Only lower heating is on. It is suitable for foods that need browning on the bottom. This function should also be used for easy steam cleaning.
	Fan assisted bottom/top heating	*	The hot air heated by the upper and lower heaters is distributed equally and rapidly throughout the oven with the fan. Cooking is done with a single tray.
	Fan Heating	*	The hot air heated by the fan heater is distributed equally and rapidly throughout the oven with the fan. It is suitable for multi-tray cooking of your food at different shelf levels.
	"3D" function	*	Upper heating, lower heating and fan heating work. All parts of the product are cooked equally and quickly. Cooking is done with a single tray.
	Full grill	*	The large grill on the oven ceiling works. It is suitable for grilling in large amounts.

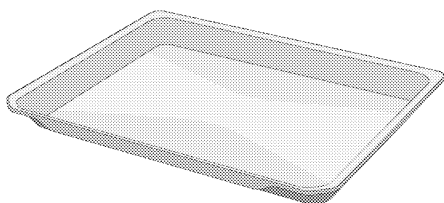
Function symbol	Function description	Temperature range (°C)	Description and use
	Fan assisted low grill	*	The hot air heated by the small grill is quickly distributed into the oven with the fan. It is suitable for grilling smaller amounts.

* Your product operates in the temperature range specified on the temperature knob.

Product accessories

There are various accessories in your product. In this section, the description of the accessories and the descriptions of the correct usage are available. Depending on the product model, the supplied accessory varies. All accessories described in the user guide may not be available in your product.

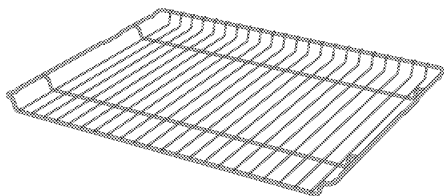
NOTICE : The trays in your product may be deformed by the effect of the temperature. This has no effect on the function. Deformation disappears when the tray cools down.



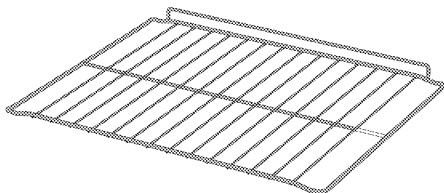
Standard tray

It is used for pastries, frozen foods and frying large pieces.

Models with wire shelves:



Models without wire shelves:



Wire grill

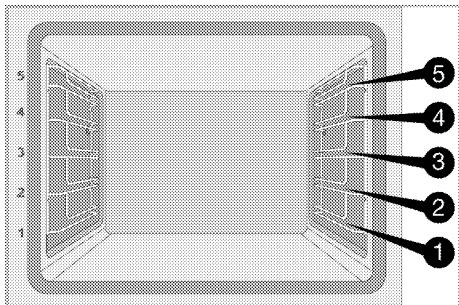
It is used for frying or placing the food to be baked, fried and stewed on the desired shelf.

Use of product accessories

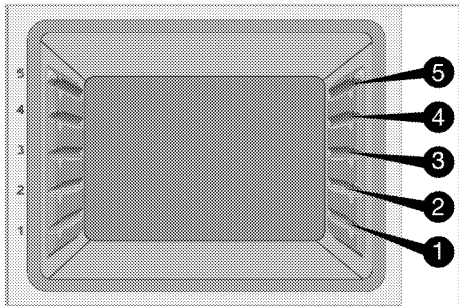
Cooking shelves

There are 5 levels of shelf position in the cooking area. You can also see the order of the shelves in the numbers on the front frame of the oven.

Models with wire shelves



Models without wire shelves



Placing the wire grill on the cooking shelves

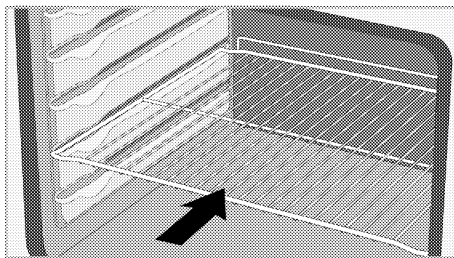
Models with wire shelves:

It is crucial to place the wire grill on the wire side shelves properly. While placing the wire grill on the desired shelf, the open section must be on the front. For better cooking, the wire grill must be secured with the stopper on the wire shelf. It must not pass over the stopper to contact with the rear wall of the oven.



Models without wire shelves:

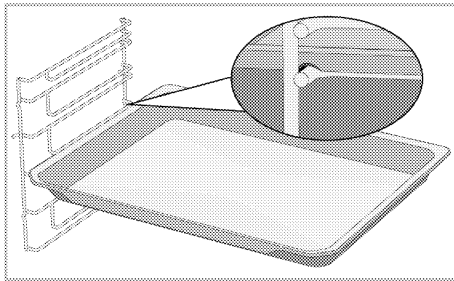
It is crucial to place the wire grill on the side shelves properly. The wire grill has one direction when placing it on the shelf. While placing the wire grill on the desired shelf, the open section must be on the front.



Placing the tray on the cooking shelves

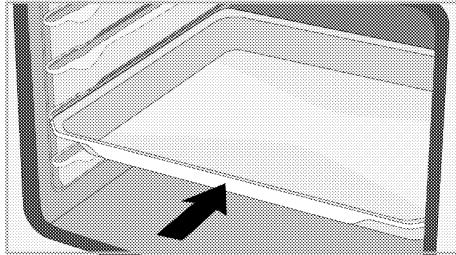
Models with wire shelves:

It is also crucial to place the trays on the wire side shelves properly. While placing the tray on the desired shelf, its side designed for holding must be on the front. For better cooking, the tray must be secured with the stopper on the wire shelf. It must not pass over the stopper to contact with the rear wall of the oven.



Models without wire shelves:

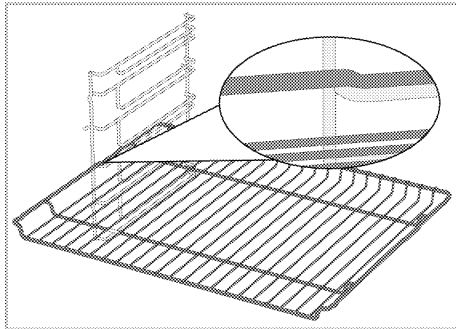
It is also crucial to place the trays on the side shelves properly. The tray has one direction when placing it on the shelf. While placing the tray on the desired shelf, its side designed for holding must be on the front.



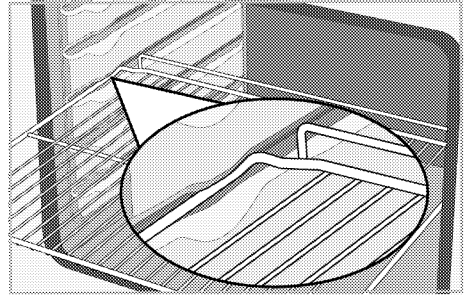
Stopper function of the wire grill

There is a stopper function to prevent the wire grill from tipping out of the wire shelf. With this function, you can easily and safely take out your food. While removing the wire grill, you can pull it forward until it reaches the stopper. You must pass over the stopper to remove it completely.

Models with wire shelves

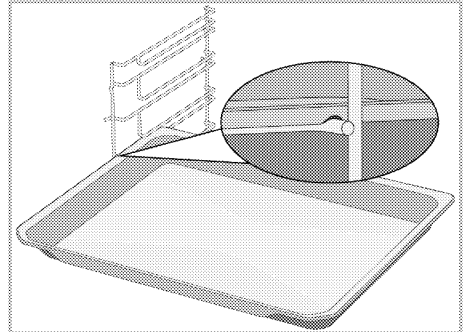


Models without wire shelves



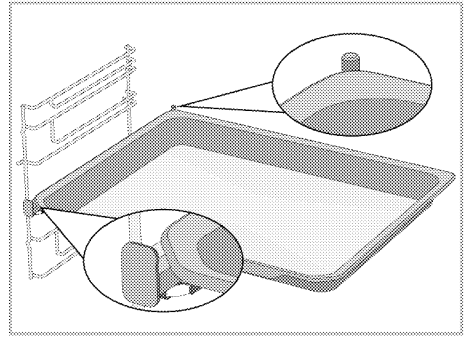
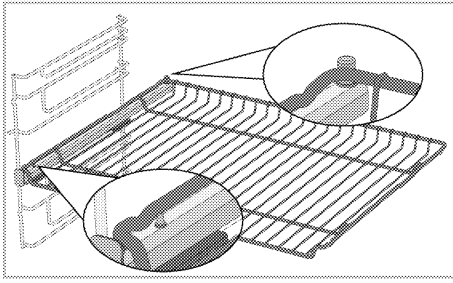
Stopper function of the wire grill tray - Models with wire shelves

There is also a stopper function to prevent the tray from tipping out of the wire shelf. While removing the tray, release it from the rear lock and pull it towards yourself until it reaches the stopper. You must pass over the stopper to remove it completely.



Proper placement of the wire grill and tray on the telescopic rails- Models with wire shelves and telescopic rails

Thanks to telescopic rails, trays or the wire grill can be easily installed and removed. When using trays and wire grills with the telescopic rail, care should be taken that the pins, on the front and back of the telescopic rails, rest against the edges of the grill and the tray (shown in the figure).



Technical specifications

General specifications

Product external dimensions (height/width/depth)	595 mm/594 mm/567 mm
Oven installation dimensions (height/width/depth)	590 or 600 mm/560 mm/min. 550 mm
Voltage / frequency	220-240 V~; 50 Hz
Cable type and cross section used / suitable for use in the product	min. H05VV-FG 3 x 1,5 mm ²
Total power consumption	2.6 kW
Oven type	Multifunction oven

Basics: Information on the energy label of electrical ovens is given in accordance with the EN 60350-1 / IEC 60350-1 standard. Those values are determined under standard load with bottom-top heater or fan assisted heating (if any) functions.

Energy efficiency class is determined in accordance with the following prioritization depending on whether the relevant functions exist on the product or not: 1-Eco fan heating, 2-Fan Heating 3- Fan assisted low grill, 4-Top and bottom heating.

- i** Technical specifications may be changed without prior notice to improve the quality of the product.
- i** Figures in this manual are schematic and may not exactly match your product.
- i** Values stated on the product labels or in the documentation accompanying it are obtained in laboratory conditions in accordance with relevant standards. Depending on operational and environmental conditions of the product, these values may vary.

4 First use

Before you start using your product, it is recommended to do the following in the following sections.

First cleaning

1. Remove all packaging materials.
2. Remove all accessories from the oven provided within the product.
3. Turn the product on for 30 minutes and then, turn it off. This way, residues and layers that may have remained in the oven during production are burned and cleaned.
4. When operating the product, select the highest temperature and the operating function that all the heaters in your product operate. See "Oven operating functions". You can learn how to operate the oven in the following section.
5. Wait for the oven to cool.
6. Wipe the surfaces of the product with a wet cloth or sponge and dry with a cloth.

Before using the accessories;

Clean the accessories you remove from the oven with detergent water and a soft cleaning sponge.

NOTICE The surface might get damaged by some detergents or cleaning materials. Do not use aggressive detergents, cleaning powders/creams or any sharp objects during cleaning.

NOTICE Smoke and smell may emit for a couple of hours during the initial operation. This is quite normal. Ensure that the room is well ventilated to remove the smoke and smell. Avoid directly inhaling the smoke and the smell that emits.

5 How to operate the oven

General information on oven usage

Cooling fan (It may not exist on your product.)

Your product has a cooling fan. The cooling fan is activated automatically when necessary and cools both the front of the product and the furniture. It is automatically deactivated when the cooling process is finished. Hot air comes out over the oven door. Do not cover these ventilation openings with anything. Otherwise, the oven may overheat.

The cooling fan continues to operate during oven operation or after the oven is turned off (approximately 20-30 minutes). If you cook by programming the oven timer, at the end of the cooking time, the cooling fan turns off with all functions. The cooling fan running time cannot be determined by the user. It turns on and off automatically. This is not an error.

Oven lighting

The oven lamp is turned on when the oven starts cooking. In some models, the lamp is on during cooking, while in some models it turns off after a certain time.

Operation of the oven control unit

Turning on the oven

When you select a operating function you want to cook with using the function selection knob and set a certain temperature with using the temperature knob, the oven starts operating. You should turn the timer knob to a specific cooking time or ∞ symbol to start the operating of oven.

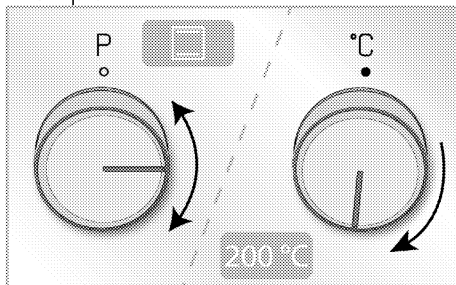
Turning off the oven

You can turn the oven off by turning the function selection, temperature and timer knobs to the off (up) position.

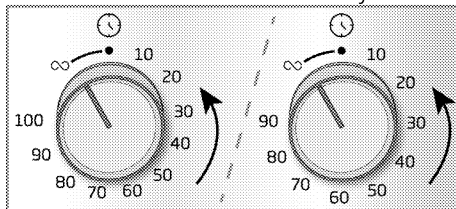
Manual cooking to select temperature and oven operating function

You can cook by making a manual control (at your own control) without setting the cooking time by selecting the temperature and operating function specific to your food.

Example:



1. Select the operating function you want to cook using the function selection knob.
2. Set the temperature you want to cook using the temperature knob.
3. Turn the timer knob to ∞ symbol.



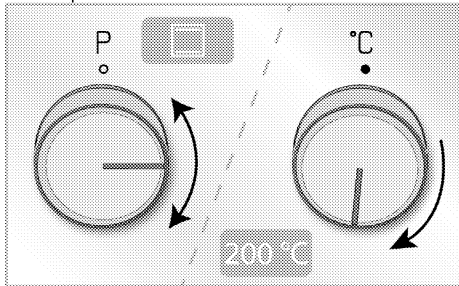
» Your oven will start operating immediately at the selected function and temperature, and the temperature lamp will light up. When the temperature inside the oven reaches the set temperature, the temperature lamp turns off. The oven does not switch off automatically after starting cooking. You

have to control cooking yourself and turn it off. When your cooking is completed, turn off the oven by turning the function selection, temperature and timer knobs to the off (up) position.

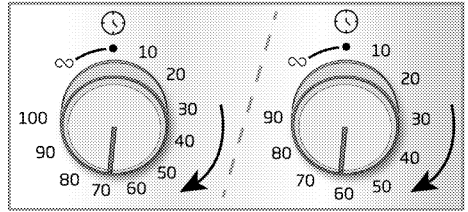
Cooking by setting the cooking time;

You can have the oven turn off automatically at the end of the time by selecting the temperature and operating function specific to your food and setting the cooking time on the timer.

Example:



1. Select the operating function you want to cook using the function selection knob.
2. Set the temperature you want to cook using the temperature knob.
3. Turn the timer knob to time you want to cook.



» Your oven will start operating immediately at the selected function and temperature, and the temperature lamp will light up. When the temperature inside the oven reaches the set temperature, the temperature lamp turns off.

4. When the cooking time is over, the timer knob automatically rotates counterclockwise. A warning tone sounds and the oven stops cooking.
5. If your cooking is completed, turn the oven off by turning the function selection and temperature knobs to the off (up) position. If you want to continue, turn the timer knob back to a certain cooking time. The oven continues to operate at the set function and temperature.

To turn off cooking earlier than the time you set;

1. Turn the timer knob counter-clockwise until it reaches the off (up) position.
2. Turn the oven off by turning the function selection and temperature knobs to the off (up) position.

6 General information about cooking

This section describes tips on preparing and cooking your food.

In addition, you can also find some of the foods tested as producers and the most appropriate settings for these foods. Appropriate oven settings and accessories for these foods are also indicated.

General warnings about cooking in the oven

- While opening the oven door during or after cooking, hot-burning steam may emerge. The steam may burn your hand, face and / or eyes. When opening the oven door, stay away.
- Intense steam generated during cooking may form condensed water drops on the interior and exterior of the oven and on the upper parts of the furniture due to the temperature difference. This is a normal and physical occurrence.
- The cooking temperature and time values given for foods may vary depending on the recipe and amount. For this reason, these values are given as ranges.
- Always remove unused accessories from the oven before you start cooking. Accessories that will remain in the oven may prevent your food from being cooked at the correct values.
- For foods that you will cook according to your own recipe, you can reference similar foods given in the cooking tables.
- Using the supplied accessories ensures you get the best cooking performance. Always observe the warnings and information provided by the manufacturer for the external cookware you will use.

- Cut the greaseproof paper you will use in your cooking in suitable sizes to the container you will cook. Greaseproof papers that are overflowing from the container can create a risk of burns and affect the quality of your cooking. Use the greaseproof paper you will use in the temperature range specified.
- For good cooking performance, place your food on the recommended correct shelf. Do not change the shelf position during cooking.

Pastries and oven food

General Information

- We recommend using the accessories of the product for a good cooking performance. If you are going to use an external cookware, prefer dark, non-sticking and heat resistant ware.
- If preheating is recommended in the cooking table, be sure to put your food in the oven after preheating.
- If you are going to cook using cookware on the wire grill, place it in the middle of the wire grill, not near the back wall.
- All materials used in making pastry should be fresh and at room temperature.
- The cooking status of the products may vary depending on the amount of food and the size of the cookware.
- Metal, ceramic and glass molds extend the cooking time and the bottom surface of pastry foods do not brown evenly.
- If you use cooking paper during cooking, a little browning may be observed on the bottom surface of the food. In this case, you may need to extend your cooking time about 10 minutes.

- The values specified in the cooking tables are determined as a result of the tests carried out in our laboratories. Values suitable for you may differ from these values.
- Place your food on the appropriate shelf recommended in the cooking table. Refer to the bottom shelf of the oven as shelf 1.

Tips for baking cakes

- If the cake is too dry, increase the temperature by 10 ° C and shorten the baking time.
- If the cake is moist, use a small amount of liquid or reduce the temperature by 10 ° C.
- If the top of the cake is burnt, put it on the lower shelf, lower the temperature and increase the baking time.
- If it is cooked well inside but the outside is sticky, use a smaller amount of liquid, reduce the temperature and increase the cooking time.

Tips for cooking pastries

- If the pastry is too dry, increase the temperature by 10 ° C and shorten the cooking time. Wet the dough sheets with a sauce consisting of milk, oil, egg and yoghurt mixture.
- If the pastry is getting cooked slowly, make sure that the thickness of the pastry you have prepared does not overflow the tray.
- If the pastry is browned on the surface but the bottom is not cooked, make sure that the amount of sauce you will use for the pastry is not too much at the bottom of the pastry. For an even browning, try to spread the sauce evenly between the dough sheets and the pastry.
- Bake your pastry in the position and temperature appropriate to the cooking table. If the bottom is still not browned enough, place it on a bottom shelf for the next cooking.

Cooking table for pastries and oven food

Suggestions for cooking with a single tray

Food	Accessory to be used	Operating function	Shelf position	Temperature (°C)	Cooking time (min) (approx.)
Cakes in tray	Standard tray*	Top and bottom heating	3	180	30 ... 40
Cakes in mold	Cake mold on wire grill**	Fan Heating	2	180	30 ... 40
	Standard tray*	Top and bottom heating	3	160	25 ... 35
Small cakes	Standard tray*	Fan Heating	Models with wire shelves: 3 Models without wire shelves: 2	150	25 ... 35
Sponge cake	Round cake mold, 26 cm in diameter with clamp on wire grill**	Top and bottom heating	2	160	30 ... 40
	Round cake mold, 26 cm in diameter with clamp on wire grill**	Fan Heating	2	160	30 ... 40
Cookie	Pastry tray*	Top and bottom heating	3	170	25 ... 35

Food	Accessory to be used	Operating function	Shelf position	Temperature (°C)	Cooking time (min) (approx.)
	Pastry tray*	Fan Heating	3	170	20 ... 30
Dough pastry	Standard tray*	Fan assisted bottom/top heating	2	200	35 ... 45
	Standard tray*	Fan Heating	2	180	35 ... 45
Rich pastry	Standard tray*	Top and bottom heating	2	200	20 ... 30
	Standard tray*	Fan Heating	3	180	20 ... 30
Whole bread	Standard tray*	Top and bottom heating	3	200	30 ... 40
	Standard tray*	Fan Heating	3	200	30 ... 40
Lasagna	Glass / metal rectangular mold on wire grill**	Top and bottom heating	2 or 3	200	30 ... 40
Apple pie	Round black metal mold, 20 cm in diameter on wire grill**	Top and bottom heating	2	180	50 ... 70
	Round black metal mold, 20 cm in diameter on wire grill**	Fan Heating	2	170	50 ... 70
Pizza	Standard tray*	Top and bottom heating	2	200 ... 220	10 ... 20

Preheating is recommended for all food.

* These accessories may not be included with your product.

** These accessories are not included with your product. They are commercially available accessories.

Suggestions for cooking with two trays

Food	Accessory to be used	Operating function	Shelf position	Temperature (°C)	Cooking time (min) (approx.)
Small cakes	2 –Standard tray* 4 –Pastry tray*	Fan Heating	2 – 4	Models with wire shelves: 150	Models with wire shelves: 25 ... 40
				Models without wire shelves: 140	Models without wire shelves: 30 ... 45
Cookie	2 –Standard tray* 4 –Pastry tray*	Fan Heating	2 – 4	170	25 ... 35
Dough pastry	1 –Standard tray* 4 –Pastry tray*	Fan Heating	1 – 4	180	35 ... 45
Rich pastry	2 –Standard tray* 4 –Pastry tray*	Fan Heating	2 – 4	180	20 ... 30

Preheating is recommended for all food.

* These accessories may not be included with your product.

** These accessories are not included with your product. They are commercially available accessories.

Meat, Fish and Poultry

The key points on roasting

- Seasoning it with lemon juice and pepper before cooking all chicken, turkey and large pieces of meat will increase cooking performance.
- It takes 15 to 30 minutes more to cook boned meat than fillet by roasting.
- You should calculate about 4 to 5 minutes of cooking time per centimeter of the meat thickness.
- After the cooking time is over, leave the meat in the oven for about 10 minutes. The juice of the meat is better distributed to the fried meat and does not come out when the meat is cut.
- Fish should be placed on a medium or low level shelf in a heat resistant plate.
- Cook the foods recommended in the cooking table with a single tray.

Cooking table for meat, fish and poultry

Food	Accessory to be used	Operating function	Shelf position	Temperature (°C)	Cooking time (min) (approx.)
Steak (whole) / Roast (1 kg)	Standard tray*	Fan assisted bottom/top heating	3	15 mins. 250/max, then 180 ... 190	60 ... 80
Lamb's shank (1.5 - 2.0 kg)	Standard tray*	Fan assisted bottom/top heating	3	15 mins. 250/max, then 170	110 ... 120
Roasted chicken (1.8-2 kg)	Wire grill* Place one tray on a lower shelf	Fan assisted bottom/top heating	2	15 mins. 250/max, then 190	60 ... 80
	Wire grill* Place one tray on a lower shelf	Fan Heating	2	200 ... 220	60 ... 80
	Wire grill* Place one tray on a lower shelf	"3D" function	2	15 mins. 250/max, then 190	60 ... 80
	Standard tray*	Fan assisted bottom/top heating	1	25 mins. 250/max, then 180 ... 190	150 ... 210
Turkey (5.5 kg)	Standard tray*	"3D" function	1	25 mins. 250/max, then 180 ... 190	150 ... 210
Fish	Wire grill* Place one tray on a lower shelf	Fan assisted bottom/top heating	3	200	20 ... 30
	Wire grill* Place one tray on a lower shelf	"3D" function	3	200	20 ... 30

Preheating is recommended for all food.

* These accessories may not be included with your product.

** These accessories are not included with your product. They are commercially available accessories.

Grill

Red meat, fish and poultry meat will quickly turn brown when grilled, hold a beautiful crust and do not dry out. Fillet meats, skewer meats, sausages as well as juicy vegetables (tomatoes, onions, etc.) are particularly suitable for grilling.

General warnings

- Food not suitable for grilling carries a fire hazard. Grill only food that is suitable for heavy grill fire. Also, do not place the food too far in the back of the grill. This is the hottest area and fatty foods may catch fire.
- **Close the oven door during grilling. Never grill with the oven door open. Hot surfaces may cause burns!**

The key points of the grill

- Prepare foods of similar thickness and weight as much as possible for the grill.
- Place the pieces to be grilled on the wire grill or wire grill tray by distributing them without exceeding the dimensions of the heater.
- Depending on the thickness of the pieces to be grilled, the cooking times given in the table may vary.
- Slide the wire grill or the wire grill tray to the desired level in the oven. If you are cooking on the wire grill, slide the oven tray to the lower shelf to collect the oils. The oven tray you are going to slide should be sized to cover the entire grill area. This tray may not be included with the product. Put some water into the oven tray for easy cleaning.

Grilling table

Food	Accessory to be used	Shelf position	Temperature (°C)	Cooking time (min) (approx.)
Fish	Wire grill	4 - 5	250	20 ... 25
Chicken pieces	Wire grill	4 - 5	250	25 ... 35
Meatball (beef) - 12 pieces	Wire grill	4	250	20 ... 30
Lamb chop	Wire grill	4 - 5	250	20 ... 25
Steak - (sliced)	Wire grill	4 - 5	250	25 ... 30
Veal chop	Wire grill	4 - 5	250	25 ... 30
Vegetable gratin	Wire grill	4 - 5	220	20 ... 30
Toast bread	Wire grill	4	250	1 ... 4

It is recommended to preheat for 5 minutes for all grilled food.

Turn pieces of food after 1/2 of the total grilling time.

Fan assisted low grill

Food	Accessory to be used	Operating function	Shelf position	Temperature (°C)	Cooking time (min) (approx.)
Fish	Wire grill	Fan assisted low grill	4	200	30 ... 35
Chicken pieces	Wire grill	Fan assisted low grill	4	250	25 ... 35
Meatball (beef) - 12 pieces	Wire grill	Fan assisted low grill	4	250	30 ... 40
Steak (whole) / Roast (1 kg)	Wire grill Place one tray on a lower shelf	Fan assisted low grill	3	15 mins. 250, then 180 ... 190	90 ... 110

Do not preheat for all grilled food in this grill table.

Test foods

- Foods in this cooking table are prepared according to the EN 60350-

1 standard to facilitate testing of the product for control institutes.

Cooking table for test foods

Suggestions for cooking with a single tray

Food	Accessory to be used	Operating function	Shelf position	Temperature (°C)	Cooking time (min) (approx.)
Shortbread (sweet cookie)	Standard tray*	Top and bottom heating	3	140	20 ... 30
	Standard tray*	Fan Heating	Models with wire shelves: 3 Models without wire shelves: 2	140	15 ... 25
Small cakes	Standard tray*	Top and bottom heating	3	160	25 ... 35
	Standard tray*	Fan Heating	Models with wire shelves: 3 Models without wire shelves: 2	150	25 ... 35
Sponge cake	Round cake mold, 26 cm in diameter with clamp on wire grill**	Top and bottom heating	2	160	30 ... 40
	Round cake mold, 26 cm in diameter with clamp on wire grill**	Fan Heating	2	160	30 ... 40
Apple pie	Round black metal mold, 20 cm in diameter on wire grill**	Top and bottom heating	2	180	50 ... 70
	Round black metal mold, 20 cm in diameter on wire grill**	Fan Heating	2	170	50 ... 70

Preheating is recommended for all food.

* These accessories may not be included with your product.

** These accessories are not included with your product. They are commercially available accessories.

Suggestions for cooking with two trays

Food	Accessory to be used	Operating function	Shelf position	Temperature (°C)	Cooking time (min) (approx.)
Shortbread (sweet cookie)	2-Standard tray* 4-Pastry tray*	Fan Heating	2 - 4	140	15 ... 25
Small cakes	2-Standard tray* 4-Pastry tray*	Fan Heating	2 - 4	Models with wire shelves: 150 Models without wire shelves: 140	Models with wire shelves: 25 ... 40 Models without wire shelves: 30 ... 45

Preheating is recommended for all food.

* These accessories may not be included with your product.

** These accessories are not included with your product. They are commercially available accessories.

Grill

Food	Accessory to be used	Shelf position	Temperature (°C)	Cooking time (min) (approx.)
Toast bread	Wire grill	4	250	1 ... 4
Meatball (beef) - 12 pieces	Wire grill	4	250	20 ... 30

Turn the food after 1/2 of the total grilling time.

It is recommended to preheat for 5 minutes for all grilled food.

7 Maintenance and care

General cleaning information

⚠ General warnings

- Wait for the product to cool before cleaning the product. Hot surfaces may cause burns!
- Do not apply the detergents directly on the hot surfaces. This may cause a permanent stains.
- The appliance shall be thoroughly cleaned and dried after each operation. Thus, food residues shall be easily cleaned and these residues shall be prevented from burning when the appliance is used again later. Thus, the service life of the appliance extends and frequently faced problems are decreased.
- Do not use steam cleaning products for cleaning.
- Some detergents or cleaning agents may damage the surface. Do not use abrasive detergents, cleaning powders, cleaning creams, descalers or sharp objects during cleaning.
- There is no need for a special cleaning agent for cleaning after each use. Clean the appliance using dish soap, warm water and a soft cloth or sponge and dry with a dry microfiber cloth.
- Be sure to completely wipe off any remaining liquid after cleaning and immediately clean any food splashing around during cooking.
- Do not wash any component of your appliance in a dishwasher.

Inox and stainless surfaces

- Do not use acid or chlorine-containing cleaning agents to clean stainless or inox surfaces and handles.

- Stainless or inox surface may change colour in time. This is normal. After each operation, clean with a detergent suitable for the stainless or inox surface.
- Clean with a soft soapy cloth and liquid (non-scratching) detergent suitable for inox surfaces, taking care to wipe in one direction.
- Remove lime, oil, starch, milk and protein stains on the inox-stainless and glass surfaces immediately without waiting. Stains may rust under long periods of time.

Enamelled surfaces

- After each use, clean the enamel surfaces using dishwashing detergent, warm water and a soft cloth or sponge and dry them with a dry cloth.
- If your product has an easy steam cleaning function, you can make easy steam cleaning for light non-permanent dirt. (See the "Easy steam cleaning" section)
- For persistent stains, the oven and grill cleaner recommended on the website of your product brand and a non-scratching scouring pad can be used. Do not use an external oven cleaner.
- The oven must cool down for cleaning in the cooking area. Cleaning on hot surfaces shall create both fire hazard and damage with enamel surface.

Catalytic surfaces

- The side walls in the cooking area can only be covered with enamel or catalytic walls. It varies by model.
- The catalytic walls have a light matte and porous surface. The catalytic walls of the oven should not be cleaned.
- Catalytic surfaces absorb oil thanks to its porous structure and start to shine

when the surface is saturated with oil, in this case it is recommended to replace the parts.

Glass surfaces

- When cleaning glass surfaces, do not use hard metal scrapers and abrasive cleaning materials. They can damage the glass surface.
- Clean the appliance using dishwashing detergent, warm water and a microfiber cloth specific for glass surfaces and dry it with a dry microfiber cloth.
- If there is residual detergent after cleaning, wipe it with cold water and dry with a clean and dry microfiber cloth. Residual detergent residue may damage the glass surface next time.
- Under no circumstances should the dried-up residue on the glass surface be cleaned off with serrated knives, wire wool or similar scratching tools.
- You can remove the calcium stains (yellow stains) on the glass surface with the commercially available descaling agent, with a descaling agent such as vinegar or lemon juice.
- If the surface is heavily soiled, apply the cleaning agent on the stain with a sponge and wait a long time for it to work properly. Then clean the glass surface with a wet cloth.
- Discolorations and stains on the glass surface are normal and not defects.

Plastic parts and painted surfaces

- Clean plastic parts and painted surfaces using dishwashing detergent, warm water and a soft cloth or sponge and dry them with a dry cloth.
- Do not use hard metal scrapers and abrasive cleaners. It may damage the surfaces.
- Ensure that the joints of the components of the appliance are not left as damp and with detergent.

Otherwise, corrosion may occur on these joints.

Cleaning the accessories

Unless otherwise stated in the user manual, do not wash the product accessories in the dishwasher.

Cleaning the control panel

- When cleaning the panels with knob control, wipe the panel and knobss with a damp soft cloth and dry with a dry cloth. Do not remove the knobs and gaskets underneath to clean the control panel. The control panel and knobs may be damaged.
- While cleaning the inox panels with knob control, do not use inox cleaning agents around the knobs. The indicators around the knobs may be deleted.
- Clean the touch control panels with a damp soft cloth and dry with a dry cloth. If your product has a key lock feature, set the key lock before performing control panel cleaning. Otherwise, incorrect detection may occur on the keys.

Cleaning the inside of the oven (cooking area)

Follow the cleaning steps described in the "General cleaning information" section according to the surface types in your oven.

Cleaning the side walls of the oven

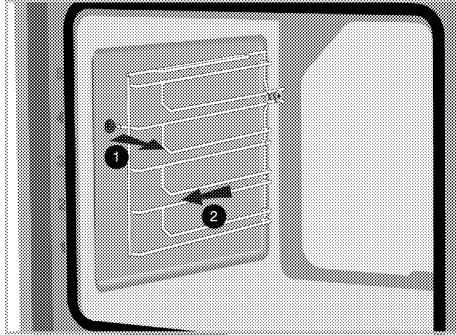
The side walls in the cooking area can only be covered with enamel or catalytic walls. It varies by model. If there is a catalytic wall, refer to the "Catalytic walls" section for information.

If your product is a side rack model, remove the side racks before cleaning your side walls. Then complete the cleaning as described in the "General

cleaning information" section according to the side wall surface type.

To remove the side racks:

1. Remove the front of the side rack by pulling it on the side wall in the opposite direction.
2. Pull the side rack towards you to remove it completely.



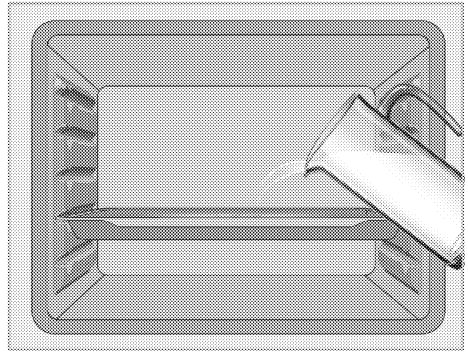
3. To reattach the shelves, the procedures applied when removing them must be repeated from the end to the beginning, respectively.

Easy Steam Cleaning

It varies depending on the product model. It may not be available on your product.

It ensures easy cleaning because the dirt (having waited not for too long) is softened with the steam that forms inside the oven and the water drops condensing on the inner surfaces of the oven.

1. Remove all accessories inside the oven.
2. Pour 500 ml of water into the oven tray and place the tray at the 2nd rack of the oven.



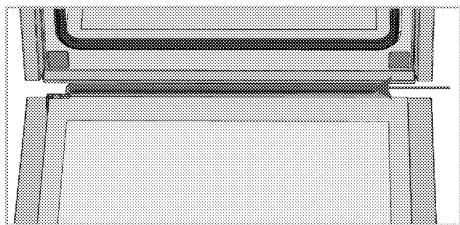
3. Set the oven to easy steam cleaning mode and run at 100°C for 15 minutes.

Open the door immediately and wipe the inner surfaces of the oven with a damp sponge or cloth. When opening the door, steam will escape. This can create a risk of burning. Be careful when opening the oven door.

Use warm water with washing liquid, a soft cloth or sponge to clean the persistent dirt and wipe it with a dry cloth.

i During the easy steam cleaning mode, water that is in the pool at the base of the oven to soften lightly formed residues/dirt within the oven cavity will evaporate and condense in the oven cavity and inner glass of the oven door, therefore water may drip when the oven door is opened. Wipe away the condensation as soon as the oven door is opened.

It varies depending on the product model. It may not be available on your product. After condensation in the oven, there might be water or moisture in the pool channel under the oven. After use, clean this pool channel with a damp cloth and then dry it.



Cleaning the oven door

i Do not use harsh abrasive cleaners, metal scrapers, wire wool or bleach materials to clean the oven door and glass.

You can remove your oven door and door glasses to clean them. How to remove the doors and windows is explained in the sections "Removing the oven door" and "Removing the inner glasses of the door". After removing the door inner glasses, clean them using a dishwashing detergent, warm water and a soft cloth or sponge and dry them with a dry cloth. Wipe the glass with vinegar and then rinse it against lime residues that may occur on the oven glass.

Removing the oven door

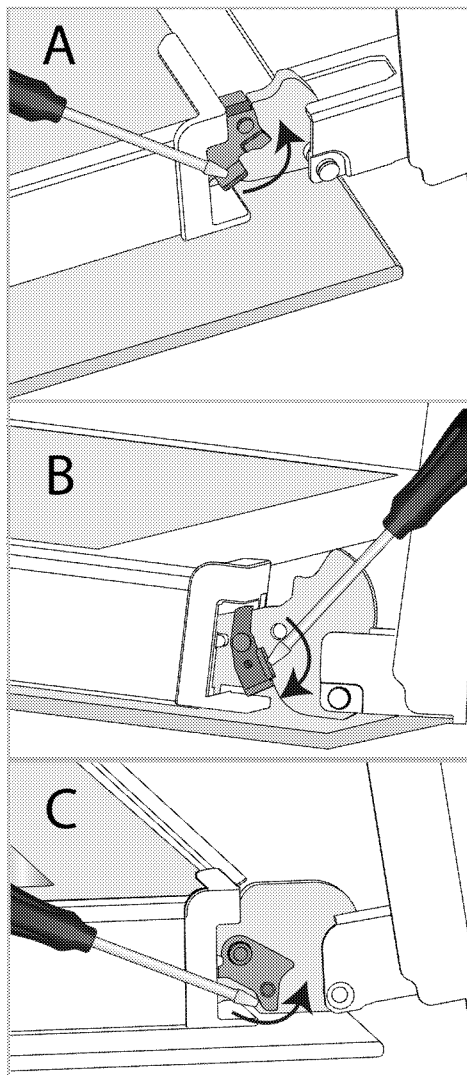
1. Open the oven door.
2. Open the clips in the front door hinge socket on the right and left by pressing downwards as shown in the figure.

The hinge type (A), (B), (C) varies according to the product model. The figures below show how to open all hinge types.

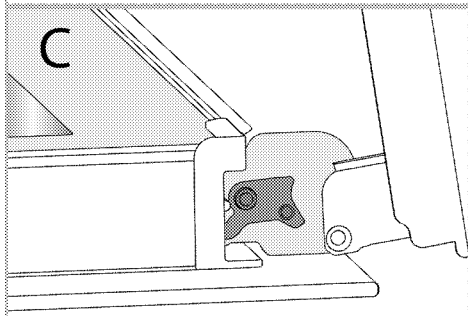
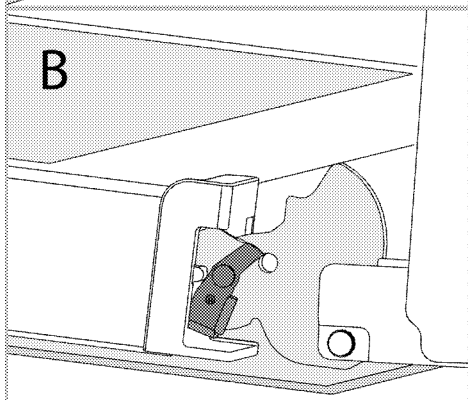
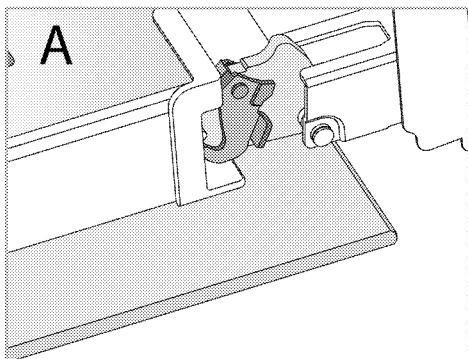
(A) type hinge is available in normal door types.

(B) type hinge is available in soft closing door types.

(C) type hinge is available in soft opening/closing door types.

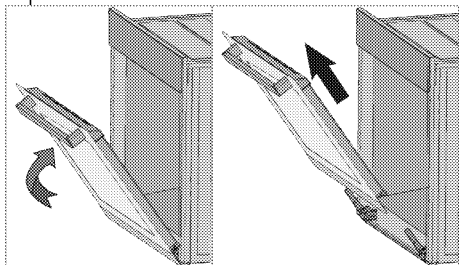


Hinge lock - closed position



Hinge lock - open position

3. Get the oven door to a half-open position.



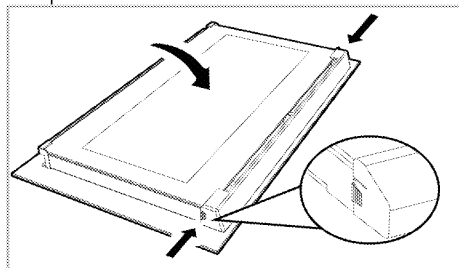
4. Pull the removed door upwards to release it from the right and left hinges and remove it.

i To reattach the door, the procedures applied when removing it must be repeated from the end to the beginning, respectively. When installing the door, be sure to close the clips on the hinge socket.

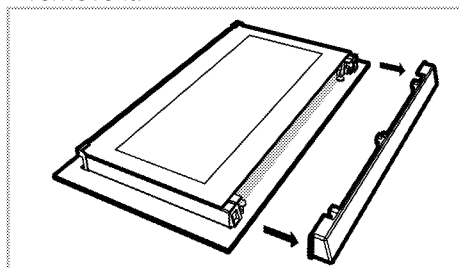
Removing the inner glass of the oven door

Inner glass of the product's front door of may be removed for cleaning.

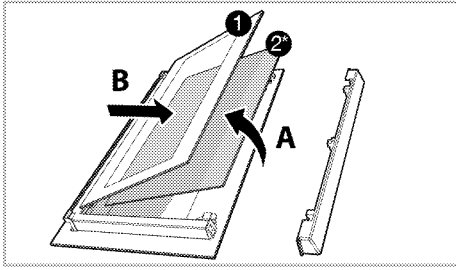
1. Open the oven door.



2. Pull the plastic component, attached on the upper section of the front door, towards yourself by simultaneously pressing on the pressure points on both sides of the component and remove it.



3. As shown in the figure, gently lift the innermost glass (1) towards 'A' and then, remove it by pulling towards 'B'.



- 1 Innermost glass panel
- 2* Inner glass panel (It may not exist on your product.)
- 4.If your product has an inner glass (2), repeat the same process to detach it (2).
- 5.The first step of regrouping the door is to reassemble the inner glass (2). Place the beveled edge of the glass to meet the beveled edge of the plastic slot. (If your product has an inner glass). Inner glass (2) must be attached to the plastic slot closest to the innermost glass (1).
- 6.While reassembling the innermost glass (1), pay attention to place the printed side of the glass on the inner glass. It is crucial to place the lower corners of the innermost glass (1) to meet the lower plastic slots.
- 7.Push the plastic component towards the frame until a "click" sound is heard.

Cleaning the oven lamp

In the event that the glass door of the oven lamp in the cooking area becomes dirty; clean using dishwashing detergent, warm water and a soft cloth or sponge and dry with a dry cloth. In case of oven lamp failure, you can replace the oven lamp by following the sections that follow.

Replacing the oven lamp

⚠ General warnings

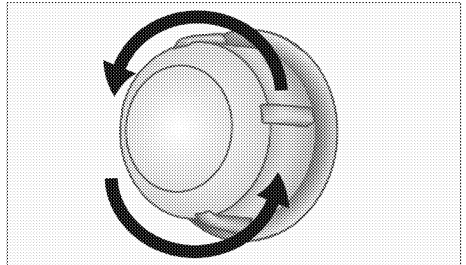
- To avoid the risk of electric shock before replacing the oven lamp,

disconnect the electrical connector and wait for the oven to cool. Hot surfaces may cause burns!

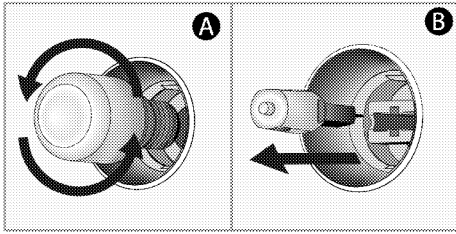
- In this oven, an incandescent lamp with a power of less than 40 W, a height of less than 60 mm, a diameter of less than 30 mm or a halogen lamp with socket type G9, a power of less than 60 W is used. The lamps are suitable for operation at temperatures above 300 °C. Oven lamps can be obtained from Authorised Service Agents or technician with licence.
- The position of the lamp may differ from that is shown in the figure.
- The lamp used in this product is not suitable for use in the lighting of home rooms. The purpose of this lamp is to help the user see food products.
- The lamps used in this product must withstand extreme physical conditions such as temperatures above 50 ° C.

If your oven has a round lamp,

- 1.Disconnect the product from the electricity.
- 2.Remove the glass cover by turning it counterclockwise.



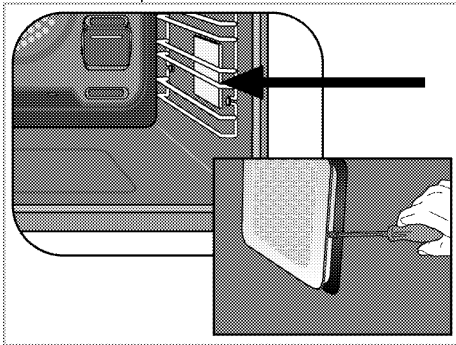
- 3.If your oven lamp is type (A) shown in the figure below, rotate the oven lamp as shown in the figure and replace it with a new one. If type (B) is a model, pull it out as shown in the figure and replace it with a new one.



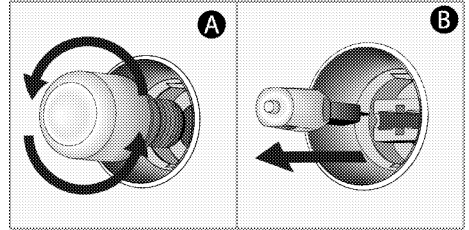
4. Refit the glass cover.

If your oven has a square lamp,

1. Disconnect the product from the electricity.
2. Remove the wire shelves according to the description.



3. Lift the lamp's protective glass cover with a screwdriver.
4. If your oven lamp is type (A) shown in the figure below, rotate the oven lamp as shown in the figure and replace it with a new one. If type (B) is a model, pull it out as shown in the figure and replace it with a new one.



5. Refit the glass cover and wire shelves.

8 Troubleshooting

Consult the Authorised Service Agent or technician with license or the dealer where you have purchased the product if you cannot remedy the trouble although you have implemented the instructions in this section. Never attempt to repair a defective product yourself.

Oven emits steam when it is in use.

- It is normal that steam escapes during operation. >>> *This is not a fault.*

Water drops occur during cooking.

- The vapour that arises during cooking can condense and form water droplets when it hits cold surfaces of the product. >>> *This is not a fault.*

Product emits metal noises while heating and cooling.

- When the metal parts are heated, they may expand and cause noise. >>> *This is not a fault.*

Product does not operate.

- The mains fuse is defective or has tripped. >>> *Check fuses in the fuse box. If necessary, replace or reset them.*
- Product is not plugged into the (grounded) socket. >>> *Check the plug connection.*
- Buttons/knobs/keys on the control panel do not function. >>> *If your product equipped with key lock function, keylock may be enabled. Please disable it.*

Oven light does not work.

- Oven lamp is defective. >>> *Replace oven lamp.*
- Power is cut. >>> *Check if there is power. Check the fuses in the fuse box. If necessary, replace or reset the fuses.*

Oven does not heat.

- Might not be set to a certain cooking function and/or temperature. >>> *Set the oven to a certain cooking function and/or temperature.*
- Power is cut. >>> *Check if there is power. Check the fuses in the fuse box. If necessary, replace or reset the fuses.*



Forno incassato
Manuale utente



IT



Gentile Cliente,

Ti preghiamo di leggere questo manuale prima di iniziare a usare il prodotto.

Beko Grazie per aver scelto il nostro prodotto. Vogliamo che il tuo prodotto, realizzato con alta qualità e tecnologia, ti offra la massima efficienza. Per questo, prima di utilizzare il prodotto leggi attentamente il presente manuale e qualsiasi altra documentazione fornita e conservali per riferimenti futuri. Qualora cedessi il prodotto a un'altra persona, ti invitiamo a consegnare anche il manuale. Segui le istruzioni, tenendo conto di tutte le informazioni e le avvertenze riportate nel manuale d'uso. Fai attenzione a tutte le istruzioni e le avvertenze contenute nel manuale utente. In questo modo proteggerai te stesso e il tuo prodotto dai possibili pericoli. Conserva il manuale dell'utente. Qualora cedessi il prodotto a un'altra persona, ti invitiamo a consegnare anche il manuale. Il manuale contiene i seguenti simboli:



Pericolo che può causare morte o lesioni.

AVVISO Pericolo che può causare danni materiali al prodotto o all'ambiente.



Pericolo che può provocare ustioni dovute al contatto con superfici calde.



Informazioni importanti e consigli utili per l'utilizzo.



Leggi il manuale dell'utente.



Arçelik A.Ş.
Karaağaç caddesi No:2-6
34445 Sütlüce/Istanbul/TURKEY
Made in TURKEY

1 Istruzioni relative alla sicurezza 4

Scopo di utilizzo 4
 Sicurezza dei bambini, dei disabili e degli animali domestici 5
 Sicurezza elettrica 5
 Sicurezza nel trasporto 7
 Installazione in sicurezza 7
 Utilizzo in sicurezza 8
 Avvertenze sulla temperatura 8
 Uso degli accessori 9
 Sicurezza nella cottura 9
 Manutenzione e pulizia in sicurezza 10

2 Istruzioni relative all'ambiente 11

Regolamentazione sui rifiuti 11
 Conformità alla direttiva WEEE e allo smaltimento dei rifiuti 11
 Smaltimento del materiale di imballaggio 11
 Consigli per risparmiare energia 11

3 Il prodotto 12

Introduzione del prodotto 12
 Introduzione e utilizzo del pannello di controllo del prodotto 13
 Controllo del forno 13
 Funzioni operative del forno 14
 Accessori del prodotto 16
 Uso degli accessori 17
 Specifiche tecniche 20

4 Primo utilizzo 21

Prima pulizia 21

5 Come utilizzare il forno 22

Informazioni generiche sull'uso del forno 22
 Funzionamento dell'unità di controllo del forno 22

6 Informazioni generali sulla cottura 24

Avvertenze generiche sulla cottura in forno 24
 Pasticcini e alimenti da forno 24
 Carne, pesce e pollame 27
 Grill 28
 Alimenti di prova 29

7 Manutenzione e cura 31

Informazioni generiche per la pulizia 31
 Pulizia degli accessori 32
 Pulizia del pannello di controllo 32
 Pulizia dell'interno del forno (area di cottura) 33
 Pulizia a vapore facile 33
 Pulizia dello sportello del forno 34
 Rimozione del vetro interno dello sportello del forno 36
 Pulizia della lampada del forno 36

8 Risoluzione dei problemi 39

1 Istruzioni relative alla sicurezza

- Questa sezione contiene istruzioni di sicurezza che aiuteranno a proteggere dal rischio di lesioni personali o danni alle cose.
 - Se il prodotto viene ceduto ad un'altra persona o usato di seconda mano, le istruzioni per l'uso, le etichette del prodotto, gli altri documenti rilevanti e gli accessori devono essere consegnati insieme al prodotto.
 - L'azienda non può essere ritenuta responsabile per danni che potrebbero verificarsi a seguito della mancata osservanza di queste istruzioni.
 - La mancata osservanza di queste istruzioni renderà nulla la garanzia.
 - ⚠ Far sempre eseguire i lavori di installazione e riparazione dal produttore, dal servizio di assistenza autorizzato o da una persona specificata dall'importatore.
 - ⚠ Utilizzare solo ricambi e accessori originali.
 - ⚠ Non cercare di riparare o sostituire alcun componente del prodotto, a meno che non sia chiaramente specificato nelle istruzioni per l'uso.
 - ⚠ Non effettuare modifiche tecniche al prodotto.
- ⚠ Scopo di utilizzo**
- Questo prodotto è stato pensato per essere utilizzato in un contesto domestico. Non è utilizzabile per scopi commerciali.
 - Non utilizzare il prodotto in giardini, balconi o altri ambienti esterni. L'apparecchio è destinato all'uso in cucine domestiche e del personale in negozi, uffici e altri ambienti di lavoro.
 - **AVVERTENZA:** Questo prodotto deve essere usato unicamente per cuocere. Non dovrebbe essere usato per altri scopi come riscaldare un ambiente.
 - Il forno può essere utilizzato per scongelare, cuocere, friggere e grigliare il cibo.
 - Questo prodotto non deve essere usato per riscaldare in genere, riscaldare i piatti, appendere asciugamani o vestiti al manico.

Sicurezza dei bambini, dei disabili e degli animali domestici

- Questo prodotto può essere utilizzato da bambini dagli 8 anni in su e da persone che non sono in grado di sviluppare le proprie capacità fisiche, sensoriali o mentali, o che non hanno esperienza e conoscenza, purché siano sorvegliati o addestrati sull'uso sicuro e sui pericoli del prodotto.
- I bambini non devono giocare con il prodotto. Gli interventi di pulizia e manutenzione non vanno eseguiti dai bambini a meno che non siano supervisionati da una persona adulta.
- Questo prodotto non deve essere utilizzato da persone con capacità fisiche, sensoriali o mentali limitate (inclusi i bambini), a meno che non siano tenute sotto controllo o non ricevano le necessarie istruzioni.
- Sorvegliare i bambini per evitare che giochino con il prodotto.
- I dispositivi elettrici sono pericolosi per i bambini e gli

animali domestici. I bambini e gli animali domestici non devono giocare, salire o entrare nel forno.

- Non mettere sul forno oggetti che i bambini potrebbero raggiungere.
- **AVVERTENZA:** Durante l'uso, le superfici accessibili del prodotto sono calde. Tenere i bambini lontano dal forno.
- Tenere i materiali da imballaggio fuori dalla portata dei bambini. Si rischiano lesioni e soffocamento.
- Quando lo sportello è aperto, non metterci sopra oggetti pesanti e non lasciare che i bambini ci si siedano sopra. Si potrebbe provocare il ribaltamento del forno o danneggiare le cerniere dello sportello.
- (Se il tuo prodotto ha una spina) Per la sicurezza dei bambini, prima di smaltire il prodotto, scollegare la spina di alimentazione e rendere il prodotto inutilizzabile.

Sicurezza elettrica

- Collegare il prodotto a una presa dotata di messa a terra protetta da uno fusibile del valore indicato dall'etichetta.

Fare in modo che la messa a terra venga eseguita da un elettricista qualificato. In conformità con le normative locali/nazionali, non utilizzare il prodotto senza messa a terra.

- La spina o il collegamento elettrico del prodotto deve essere in un luogo facilmente accessibile (non influenzato, per esempio, dalla fiamma di una stufa). Se ciò non fosse possibile, sull'impianto elettrico al quale il prodotto è collegato dovrebbe essere presente un meccanismo (fusibile, interruttore, commutatore, ecc.) nel rispetto delle norme elettriche e che separi tutti i poli dalla rete.
- Il prodotto non deve essere collegato alla presa di corrente durante l'installazione, la riparazione e il trasporto.
- Inserire il prodotto in una presa conforme ai valori di tensione e frequenza specificati nella targhetta d'identificazione.
- (Se il tuo prodotto non ha un cavo di alimentazione) Utilizzare solo il cavo di

collegamento specificato nella sezione "Specifiche tecniche".

- Non inceppare il cavo di alimentazione sotto e dietro il prodotto. Non appoggiare oggetti pesanti sul cavo di alimentazione. Il cavo di alimentazione non deve essere piegato, schiacciato e non deve venire a contatto con alcuna fonte di calore.
- Quando il forno è in funzione, anche la sua superficie posteriore si surriscalda. I cavi di alimentazione non devono dunque toccare la superficie posteriore, i collegamenti potrebbero danneggiarsi.
- Non inceppare i cavi elettrici nello sportello del forno e non farli passare su superfici calde. Il forno potrebbe andare in corto circuito e prendere fuoco a causa della fusione del cavo.
- Utilizzare solo il cavo originale. Non utilizzare cavi tagliati o danneggiati o prolunghe.
- Se il cavo di alimentazione è danneggiato, deve essere sostituito da un produttore, da un servizio autorizzato o da una persona da

specificare da parte dell'azienda importatrice, al fine di prevenire possibili pericoli.

- **AVVERTENZA:** Prima di sostituire la lampada del forno, per evitare scosse elettriche assicurarsi di scollegare il prodotto dalla rete elettrica. Scollegare il prodotto o spegnere il fusibile dalla scatola dei fusibili.

(Se il tuo prodotto ha una spina)

- Non inserire il prodotto in una presa di corrente che sia allentata, che sia uscita dalla sua cavità, che sia rotta, sporca, oleosa, con rischio di contatto con l'acqua (ad esempio, acqua che potrebbe fuoriuscire dal contatore).
- Non toccare la presa con le mani umide! Per scollegare, non tenere il cavo, ma sempre la spina.
- Per evitare la formazione di archi elettrici, assicurarsi che la spina del prodotto sia saldamente inserita nella presa di corrente.



Sicurezza nel trasporto

- Scollegare il prodotto dalla rete elettrica prima di trasportarlo.
- Il prodotto è pesante, è consigliato il trasporto del prodotto con almeno due persone.
- Per trasportare o spostare il prodotto non utilizzare lo sportello e/o la maniglia.
- Non mettere altri oggetti sul prodotto e trasportare il prodotto in posizione verticale.
- Quando si deve trasportare il prodotto, avvolgerlo con materiale da imballaggio a bolle d'aria o cartone spesso e legarlo con del nastro adesivo. Per evitare che le parti rimovibili o mobili del prodotto e il prodotto stesso si danneggino, fissare saldamente il prodotto con del nastro adesivo.
- Controllare l'aspetto generale del prodotto per eventuali danni che potrebbero essersi verificati durante il trasporto.



Installazione in sicurezza

- Prima di installare il prodotto, controllare che non sia

danneggiato. Se è danneggiato, non procedere alla sua installazione.

- Non installare il prodotto vicino a fonti di calore (radiatori, stufe, ecc.).
- Tutti i condotti di ventilazione intorno al prodotto devono essere aperti.
- Per evitare il surriscaldamento, il prodotto non deve essere installato dietro porte decorative.



Utilizzo in sicurezza

- Preoccuparsi di spegnere il prodotto dopo ogni utilizzo.
- Se non si utilizza il prodotto per un lungo periodo di tempo, scollegarlo o spegnere il fusibile dalla scatola dei fusibili.
- Non utilizzare il prodotto difettoso o danneggiato. Se presenti, scollegare i collegamenti elettricità/gas del prodotto e chiamare il servizio di assistenza autorizzato.
- Non utilizzare il prodotto con il vetro dello sportello anteriore rimosso o rotto.
- Non salire sul prodotto per raggiungere qualcosa o per qualsiasi altro motivo.

- Non utilizzare il prodotto in situazioni che potrebbero influenzare il proprio giudizio, come l'assunzione di droghe e/o l'uso di alcolici.
- Gli oggetti infiammabili tenuti nell'area di cottura potrebbero prendere fuoco. Non conservare mai oggetti infiammabili nell'area di cottura.
- Il manico del forno non è un asciugamano. Quando si utilizza il prodotto, non appendere asciugamani, guanti o tessuti simili.
- Le cerniere dello sportello del prodotto si muovono e si stringono quando si apre e si chiude lo sportello. Quando si apre/chiede lo sportello, non tenere la parte con le cerniere.



Avvertenze sulla temperatura

- **AVVERTENZA:** Con il prodotto in funzione, le parti esposte sono sempre calde. Non toccare il prodotto o gli elementi riscaldanti. I bambini di età inferiore agli 8 anni non dovrebbero avvicinarsi al prodotto se non accompagnati da un adulto.

- Non posizionare materiali infiammabili/esplosivi vicino al prodotto, in quanto i bordi durante il funzionamento saranno caldi.
- Poiché il vapore può essere espirato, tenerlo lontano mentre si apre lo sportello del forno. Il vapore potrebbe provocare bruciature a mani, viso e/o occhi.
- Durante il suo utilizzo il prodotto potrebbe diventare caldo. Non toccare gli scomparti caldi, le parti interne del forno, gli elementi riscaldanti, ecc.
- Quando si mette il cibo nel forno caldo, si toglie il cibo, ecc. utilizzare sempre guanti da forno resistenti al calore.



Uso degli accessori

- È importante che il grill in filo metallico e il vassoio siano posizionati correttamente sui ripiani in filo metallico. Per informazioni dettagliate, consultare la sezione "Uso degli accessori".
- Gli accessori possono danneggiare il vetro dello sportello quando lo si chiude. Spingere sempre gli

accessori all'estremità dell'area di cottura.



Sicurezza nella cottura

- Fare attenzione quando si aggiunge alcool ai propri alimenti. L'alcool evapora ad alte temperature e può prendere fuoco se esposto a superfici calde, causando un incendio.
- Gli scarti di cibo, l'olio, ecc. nella zona di cottura potrebbero prendere fuoco. Prima della cottura, rimuovere lo sporco in eccesso.
- Pericolo di avvelenamento da cibo: Non tenere il cibo in forno per più di un'ora prima e dopo la cottura. In caso contrario, si potrebbero causare intossicazioni alimentari o malattie.
- Non riscaldare lattine e barattoli di vetro chiusi. La pressione accumulata potrebbe causare lo scoppio del recipiente.
- Posizionare nel forno preriscaldato della carta oleata in una pentola o sull'accessorio da forno (vassoio, grill a filo, ecc.). Per evitare che tocchino le

- resistenze del forno, rimuovere eventuali pezzi eccessivi di carta oleata appesi all'accessorio o al contenitore. Non utilizzare mai carta anti-grasso a una temperatura del forno superiore alla temperatura massima di utilizzo specificata sulla carta anti-grasso utilizzata. Non mettere mai carta oleata sulla base del forno.
- Non posizionare teglie, piastre o fogli di alluminio direttamente sul fondo del forno. Il calore accumulato potrebbe danneggiarne la base.
 - Durante la cottura alla griglia, chiudere lo sportello del forno. Le superfici calde possono causare ustioni!
 - Gli alimenti non adatti alla cottura al grill determinano un rischio di incendio. Grigliare solo cibi adatti alla cottura al grill. Inoltre, non mettere il cibo troppo in fondo

(internamente) al grill. Questa è la zona più calda e i cibi grassi potrebbero prendere fuoco.



Manutenzione e pulizia in sicurezza

- Attendere che il prodotto si raffreddi prima di pulirlo. Le superfici calde possono causare ustioni!
- Non lavare il prodotto spruzzando o versandovi acqua! C'è pericolo di scosse elettriche!
- Non pulire il prodotto con pulitori a vapore poiché ciò potrebbe causare scosse elettriche.
- Per pulire il vetro anteriore dello sportello del forno/(se presente) il vetro superiore dello sportello del forno, non utilizzare detergenti abrasivi aggressivi, raschietti metallici, pagliette d'acciaio o candeggina. Questi materiali possono causare graffi e rotture delle superfici di vetro.

2 Istruzioni relative all'ambiente

Regolamentazione sui rifiuti Conformità alla direttiva WEEE e allo smaltimento dei rifiuti



Questo apparecchio è conforme alla Direttiva UE WEEE (2012/19/EU). Questo apparecchio riporta il simbolo di classificazione per i rifiuti delle apparecchiature elettriche ed elettroniche (WEEE).

Questo apparecchio è stato realizzato con parti e materiali di alta qualità che possono essere riutilizzati e sono adatti ad essere riciclati. Non smaltire i rifiuti dell'apparecchio con i normali rifiuti domestici e gli altri rifiuti alla fine della vita di servizio. Portarlo al centro di raccolta per il riciclaggio di apparecchiature elettriche ed elettroniche. Consultare le autorità locali per conoscere la collocazione di questi centri di raccolta.

Lo smaltimento appropriato delle apparecchiature usate aiuta a prevenire potenziali conseguenze negative per l'ambiente e la salute umana.

Conformità alla Direttiva RoHS:

L'apparecchio acquistato è conforme alla Direttiva UE RoHS (2011/65/EU). Non contiene materiali pericolosi o proibiti specificati nella Direttiva.

Smaltimento del materiale di imballaggio

- I materiali di imballaggio sono pericolosi per i bambini. Tenere i materiali di imballaggio in un luogo

sicuro, fuori dalla portata dei bambini. I materiali di imballaggio del prodotto sono realizzati con materiali riciclabili. Smaltirli in modo corretto e dividerli secondo le istruzioni per i rifiuti riciclabili. Non smaltirli con i normali rifiuti domestici.

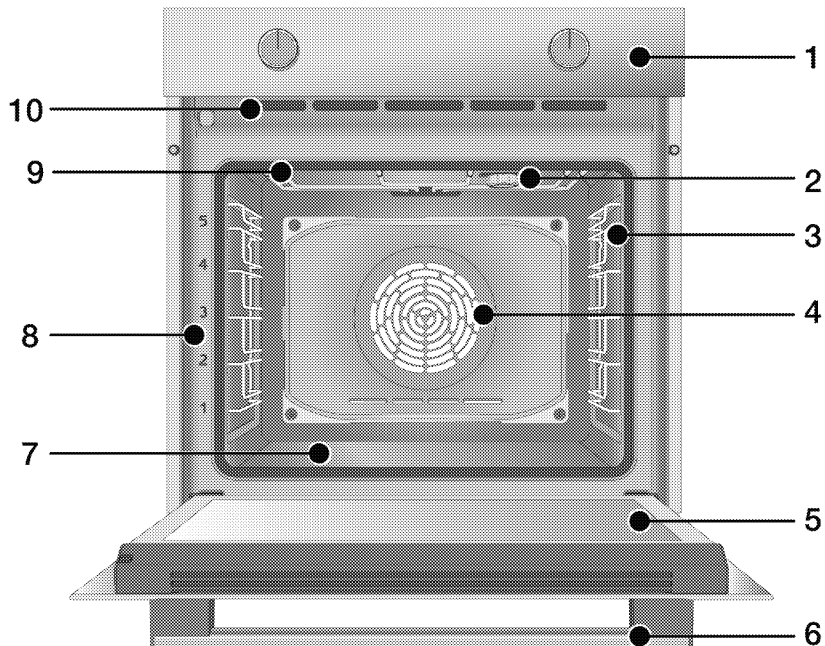
Consigli per risparmiare energia

Le informazioni sull'efficienza energetica secondo EU 66/2014 possono essere trovate sulla scheda prodotto fornita con il prodotto. I suggerimenti seguenti aiuteranno a utilizzare il prodotto in modo ecologico ed efficace dal punto di vista energetico.

- Scongelare i cibi congelati prima della cottura.
- Nel forno, utilizzare contenitori scuri o smaltati che trasmettono meglio il calore.
- Spegnere il prodotto da 5 a 10 minuti prima del termine della cottura per una cottura prolungata. In questo modo è possibile risparmiare fino al 20% di elettricità utilizzando solo il calore.
- Se specificato nella ricetta o nel manuale d'uso, preriscaldare sempre. Non aprire lo sportello del forno frequentemente durante la cottura.
- Provare a cucinare nel forno più di un piatto alla volta. Si può cucinare contemporaneamente mettendo due recipienti di cottura sul ripiano in filo metallico. Inoltre, se si cucinano i pasti uno dopo l'altro, si risparmia energia perché il forno non perde il suo calore.

3 Il prodotto

Introduzione del prodotto



- 1 Pannello di controllo
- 2 Lampada*
- 3 Ripiani a filo**
- 4 Motorino ventola (dietro alla piastra in acciaio)
- 5 Sportello
- 6 Maniglia
- 7 Riscaldatore inferiore (piastra inferiore in acciaio)
- 8 Posizioni del ripiano
- 9 Resistenza superiore
- 10 Fori di ventilazione

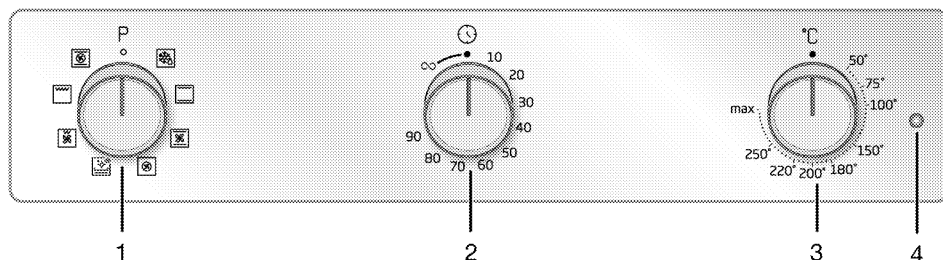
* Dipende dal modello. Il proprio prodotto potrebbe non avere una lampada, o il tipo e la posizione della lampada potrebbero differire dall'illustrazione.

** Dipende dal modello. Il proprio prodotto potrebbe essere senza ripiani in filo metallico. Nell'illustrazione, i ripiani in filo metallico sono mostrati a titolo di esempio.

Introduzione e utilizzo del pannello di controllo del prodotto

In questa sezione è possibile trovare la panoramica e gli usi di base del pannello di controllo del prodotto. A seconda della tipologia di prodotto, ci potrebbero essere differenze nelle immagini e in alcune delle funzionalità o caratteristiche presentate.

Controllo del forno



- 1 Manopola selezione funzione
- 2 Timer
- 3 Manopola temperatura
- 4 Lampada termostato

Se il prodotto dispone di manopole di controllo, tali manopole potrebbero essere incassate nel pannello e, su alcuni modelli, potrebbero venir fuori se premute. Per effettuare le impostazioni con queste manopole, spingere prima la relativa manopola ed estrarla. Dopo aver effettuato la regolazione, premerla di nuovo per riposizionarla.

Manopola selezione funzione

Le funzioni operative del forno possono essere selezionate con la manopola di selezione delle funzioni. Per selezionare, girare a sinistra/destra dalla posizione chiusa (in alto).

Manopola temperatura

Con la manopola della temperatura è possibile selezionare la temperatura alla quale si vuole cuocere. Per selezionare, girare in senso orario dalla posizione chiusa (in alto).

Spia della temperatura

La spia della temperatura permette di capire facilmente qual è la temperatura interna del forno. La spia della temperatura si trova sul pannello di controllo. La spia della temperatura si accende quando il prodotto si avvia e si spegne quando si raggiunge la temperatura impostata. Quando la temperatura all'interno del forno scende al di sotto della temperatura impostata, la spia della temperatura si accende di nuovo.


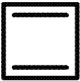



Timer




È possibile cucinare impostando un determinato tempo di cottura con la manopola del timer. Se si gira la manopola verso ∞ il simbolo, è possibile cucinare manualmente (sotto il proprio controllo).

Indicatore	Descrizione
10 - 90 o 100	Tempo di cottura regolabile
∞	Simbolo cottura manuale

Funzioni operative del forno

Nella tabella delle funzioni sono indicate le funzioni operative del forno e le temperature massime e minime configurabili per queste funzioni. L'ordine delle modalità operative qui riportate potrebbe differire da quello del proprio prodotto.

Simbolo della funzione	Descrizione della funzione	Intervallo di temperatura (°C)	Descrizione e utilizzo
	Funzionamento con ventola	-	Il forno non si riscalda. Funziona solo il ventilatore (sulla parete posteriore). Il cibo congelato con i granuli viene scongelato lentamente a temperatura ambiente, il cibo cotto viene raffreddato. Il tempo necessario per scongelare un pezzo di carne intero è più lungo del cibo con cereali.
	Riscaldamento superiore e inferiore	*	Il cibo viene riscaldato dall'alto e dal basso contemporaneamente. Adatta per torte e stufati in stampi da forno o per torte e pasticcini. La cottura viene effettuata con un solo vassoio.
	Riscaldamento inferiore	*	È acceso solo il riscaldamento inferiore. È adatta e cibi che necessitano di rosolatura sulla parte inferiore. Questa funzione dovrebbe essere utilizzata anche per una facile pulizia a vapore.
	Riscaldamento a ventola superiore/inferiore	*	Grazie alla ventola, l'aria calda riscaldata dai riscaldatori superiore e inferiore viene distribuita equamente e rapidamente in tutto il forno. La cottura viene effettuata con un solo vassoio.
	Riscaldamento ventola	*	Grazie alla ventola, l'aria calda riscaldata dal riscaldatore superiore viene distribuita equamente e rapidamente in tutto il forno. È adatta per la cottura a più vassoi dei vostri cibi e con diversi livelli di ripiano.

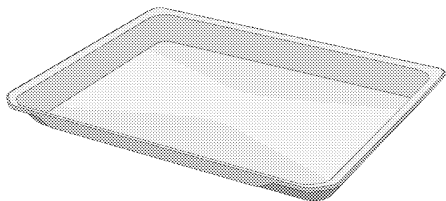
Simbolo della funzione	Descrizione della funzione	Intervallo di temperatura (°C)	Descrizione e utilizzo
	"Funzione" 3D	*	Il riscaldamento superiore, inferiore e con ventola funzionano. Tutte le parti del prodotto sono cotte in maniera uniforme e rapida. La cottura viene effettuata con un solo vassoio.
	Grill completo	*	Il grill grande sulla parte superiore del forno funziona. Adatta per grigliare grandi quantità di cibo.
	Grill basso a ventola	*	Grazie alla ventola, l'aria calda riscaldata dal grill più piccolo viene distribuita rapidamente in tutto il forno. Adatta per grigliare quantità ridotte di cibo.

* Il prodotto funziona nell'intervallo di temperatura specificato sulla manopola della temperatura.

Accessori del prodotto

Il prodotto è dotato di vari accessori. Questa sezione contiene la descrizione degli accessori e del loro corretto utilizzo. A seconda del modello, l'accessorio fornito potrebbe variare. Non tutti gli accessori descritti nel manuale d'uso potrebbero essere disponibili sul proprio prodotto.

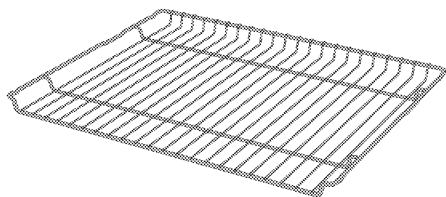
AVISO : I vassoi del proprio prodotto potrebbero essere deformati dall'effetto della temperatura. Ciò non influisce sulla loro funzionalità. La deformazione scompare quando il vassoio si raffredda.



Vassoio standard

Viene utilizzato per la pasticceria, per i surgelati e per la frittura di grandi pezzi.

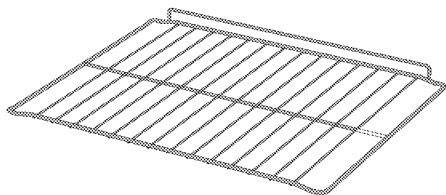
Modelli con ripiani in filo metallico:



Grill a filo

Viene utilizzato per friggere o per mettere il cibo da cuocere, friggere e stufare sul ripiano desiderato.

Modelli senza ripiani in filo metallico:

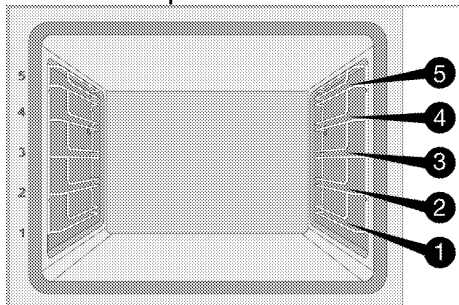


Uso degli accessori

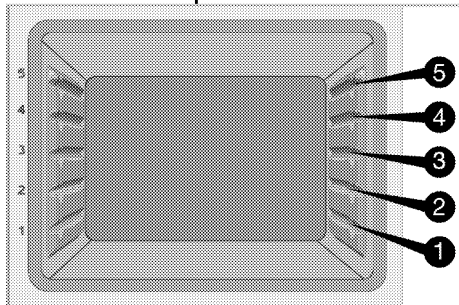
Ripiani da cottura

Nell'area di cottura ci sono 5 livelli di posizionamento dei ripiani. È possibile anche vedere l'ordine dei ripiani nei numeri sul frame anteriore del forno.

Modelli con ripiani in filo metallico



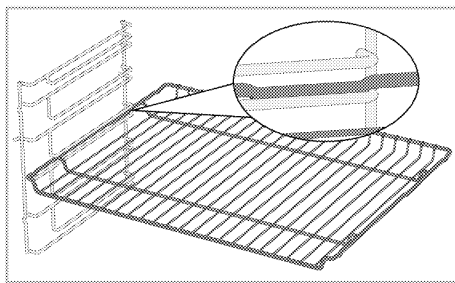
Modelli senza ripiani in filo metallico



Posizionamento del grill a filo sui ripiani da cottura

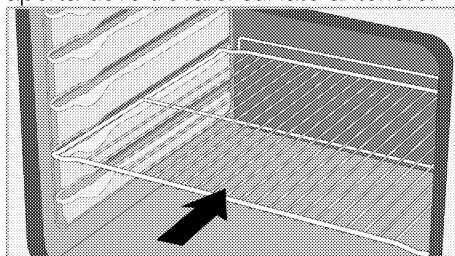
Modelli con ripiani in filo metallico:

È fondamentale posizionare correttamente il grill a filo sui ripiani laterali in filo metallico. Quando si posiziona il grill a filo sul ripiano desiderato, la sezione aperta deve trovarsi sul lato anteriore. Per una migliore cottura, il grill a filo deve essere fissato con il tappo sul ripiano a filo. Non deve passare sopra il tappo a contatto con la parete posteriore del forno.



Modelli senza ripiani in filo metallico:

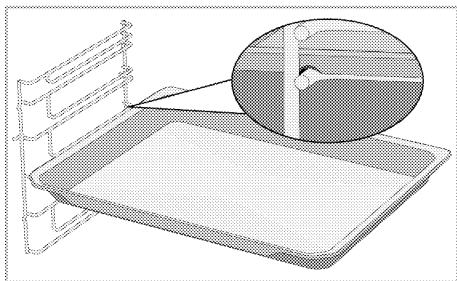
È fondamentale posizionare correttamente il grill a filo sui ripiani laterali. Il grill a filo può essere posizionato sul ripiano in una sola direzione. Quando si posiziona il grill a filo sul ripiano desiderato, la sezione aperta deve trovarsi sul lato anteriore.



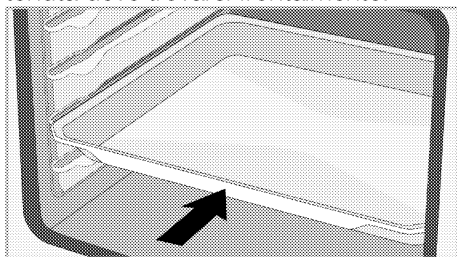
Posizionamento del vassoio sui ripiani da cottura

Modelli con ripiani in filo metallico:

È fondamentale posizionare correttamente i vassoi sui ripiani laterali in filo metallico. Quando si posiziona il vassoio sul ripiano desiderato, il lato designato per la sua tenuta deve trovarsi frontalmente. Per una migliore cottura, il vassoio deve essere fissato con il tappo sul ripiano a filo. Non deve passare sopra il tappo a contatto con la parete posteriore del forno.



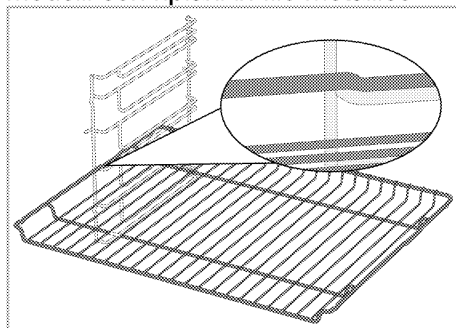
Modelli senza ripiani in filo metallico:
 è fondamentale posizionare correttamente i vassoi sui ripiani laterali. Il vassoio può essere posizionato sul ripiano in una sola direzione. Quando si posiziona il vassoio sul ripiano desiderato, il lato designato per la sua tenuta deve trovarsi frontalmente.



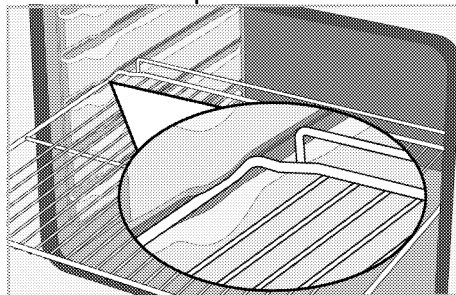
Funzione dello stopper del grill a filo

Esiste una sorta di funzione di arresto per evitare che il grill a filo si rovesci dal ripiano in filo metallico. Questa funzione permette di estrarre il cibo in modo semplice e sicuro. Mentre si rimuove il grill a filo, si può tirarlo in avanti fino a raggiungere lo stopper. Per rimuoverlo completamente, è necessario passare sopra lo stopper.

Modelli con ripiani in filo metallico

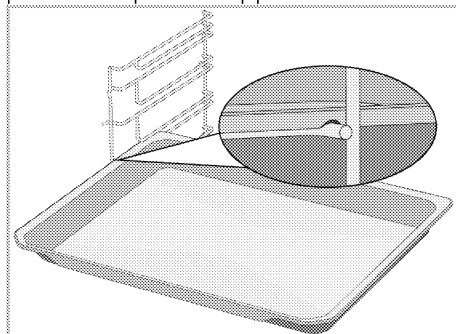


Modelli senza ripiani in filo metallico



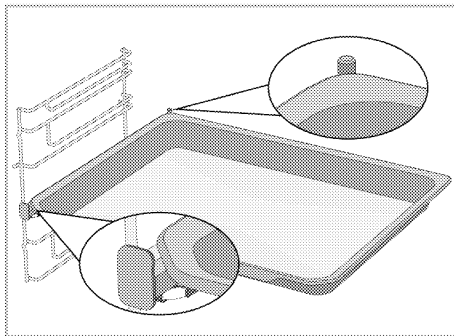
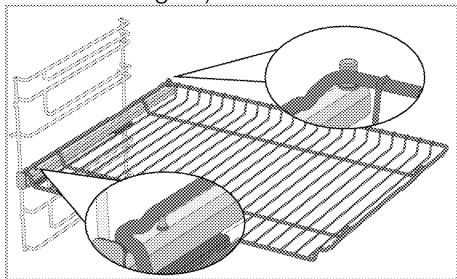
Funzione dello stopper per il vassoio del grill a filo Modelli con ripiani in filo metallico

Esiste una sorta di funzione di arresto per evitare che il vassoio si rovesci dal ripiano in filo metallico. Durante la rimozione del vassoio, sganciarlo dalla serratura posteriore e tirarlo verso di sé fino a raggiungere lo stopper. Per rimuoverlo completamente, è necessario passare sopra lo stopper.



Posizionamento corretto del grill a filo e del vassoio sulle guide telescopiche-Modelli con ripiani in filo metallico e guide telescopiche

Grazie alle guide telescopiche, i vassoi o il grill a filo possono essere facilmente installati e rimossi. Quando si utilizzano vassoi e grill a filo con la guida telescopica, occorre fare attenzione che i perni, sulla parte anteriore e posteriore delle guide telescopiche, poggino contro i bordi del grill e del vassoio (come mostrato in figura).






i Si consiglia di non utilizzare vassoi e griglie a contatto diretto con gli alimenti.

Specifiche tecniche

Specifiche generiche

Dimensioni esterne del prodotto (altezza/larghezza/profondità)	595 mm/594 mm/567 mm
Dimensioni di installazione del prodotto (altezza/larghezza/profondità)	590 o 600 mm/560 mm/min. 550 mm
Tensione/Frequenza	220-240 V~; 50 Hz
Tipo e sezione di cavo utilizzato/adatto all'impiego nel prodotto	min. H05VV-FG 3 x 1,5 mm ²
Consumo energetico totale	2.6 kW
Tipo di forno	Forno multifunzione

Informazioni principali: Le informazioni sull'etichetta energetica dei forni elettrici sono fornite in conformità alla norma EN 60350-1/IEC 60350-1. Questi valori sono determinati sotto carico standard con funzioni di riscaldamento dal basso verso l'alto o di riscaldamento a ventola (se presente).
La classe di efficienza energetica viene determinata in base alla seguente priorità, a seconda che le funzioni rilevanti esistano o meno sul prodotto: 1- Riscaldamento ventola eco, 2-Riscaldamento ventola 3- Grill basso a ventola, 4-Riscaldamento superiore e inferiore.

-  Le specifiche tecniche possono essere modificate senza preavviso per migliorare la qualità del prodotto.
-  Le figure in questo manuale utente sono schematiche, e potrebbero non corrispondere esattamente al prodotto.
-  I valori indicati sulle etichette del prodotto o nella documentazione che lo accompagna sono ottenuti in condizioni di laboratorio in conformità alle norme vigenti. Questi valori potrebbero variare a seconda delle condizioni di funzionamento e ambientali.

4 Primo utilizzo

Prima di iniziare ad utilizzare il prodotto, si raccomanda di procedere come segue nelle seguenti sezioni.

Prima pulizia

1. Rimuovere tutti i materiali dell'imballaggio.
2. Rimuovere tutti gli accessori forniti e presenti all'interno del prodotto.
3. Accendere il prodotto per 30 minuti e poi spegnerlo. In questo modo, i residui e gli strati che potrebbero essere rimasti nel forno durante la sua fabbricazione vengono bruciati e puliti.
4. Durante il funzionamento del prodotto, selezionare la temperatura più alta e la funzione che attiva tutti i riscaldatori del prodotto. Vedere "Funzioni operative del forno" Nella seguente sezione è possibile apprendere come far funzionare il forno.
5. Attendere il completamento del raffreddamento.
6. Pulire le superfici del prodotto con un panno o una spugna umida e asciugare con un panno.

Prima di utilizzare gli accessori;

Pulire gli accessori che saranno stati rimossi dal forno con acqua detergente e una spugna morbida.

AVVISO La superficie può danneggiarsi a causa di alcuni detersivi o materiali di pulizia. Non usare detersivi aggressivi, polvere/creme pulenti o oggetti taglienti durante la pulizia.

AVVISO Durante il primo funzionamento, per un paio d'ore, è possibile che siano emessi odori e fumo. È abbastanza normale. Assicurarsi che l'ambiente sia ben ventilato per rimuovere fumo e odori. Evitare di inalare direttamente fumo e odori emessi.

5 Come utilizzare il forno

Informazioni generiche sull'uso del forno

Ventola di raffreddamento (Potrebbe non esserci sul proprio prodotto.)

Il prodotto è dotato di una ventola di raffreddamento. La ventola di raffreddamento si attiva automaticamente quando necessario e raffredda sia la parte anteriore del prodotto che i mobili. Viene automaticamente disattivata al termine del processo di raffreddamento. Dallo sportello del forno esce aria calda. Non coprire assolutamente queste aperture di ventilazione. In caso contrario, il forno potrebbe surriscaldarsi.

La ventola di raffreddamento sarà attiva sia durante il funzionamento del forno sia dopo lo spegnimento dello stesso (circa 20-30 minuti). Se si cucina programmando il timer del forno, alla fine del tempo di cottura, la ventola di raffreddamento si spegne con tutte le funzioni. Il tempo di funzionamento della ventola di raffreddamento non può essere determinato dall'utente. Si accende e si spegne automaticamente. Questo non è un errore.

Illuminazione del forno

La lampada del forno si accende quando il forno inizia la cottura. In alcuni modelli la lampada è accesa durante la cottura, mentre in altri si spegne dopo un certo tempo.

Funzionamento dell'unità di controllo del forno

Accensione del forno

Quando si seleziona una funzione operativa con la quale si vuole cuocere utilizzando la manopola di selezione delle funzioni e si imposta una

determinata temperatura con la manopola della temperatura, il forno inizia a funzionare. Per avviare il funzionamento del forno è necessario ruotare la manopola del timer su un tempo di cottura specifico o su un simbolo specifico ∞.

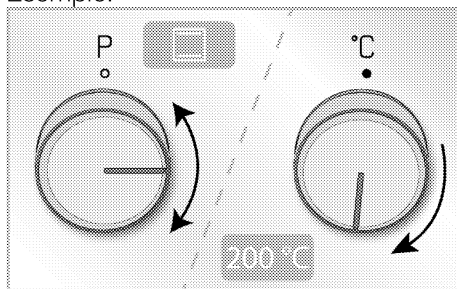
Spegnimento del forno

È possibile spegnere il forno ruotando le manopole di selezione delle funzioni, della temperatura manopola e quella del timer in posizione off (su).

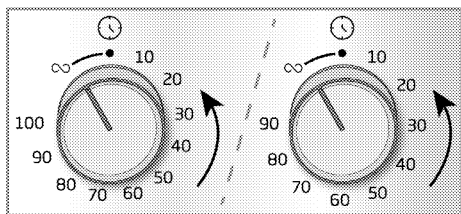
Cottura manuale per selezionare la temperatura e la funzione di operatività del forno

Si può cuocere effettuando un controllo manuale (sotto il proprio controllo), senza impostare il tempo di cottura, selezionando la temperatura e la funzione operativa specifica per i propri alimenti.

Esempio:



1. Selezionare la funzione operativa con la quale si desidera cuocere con la manopola di selezione delle funzioni.
2. Impostare la temperatura a cui si vuole cuocere con la manopola della temperatura.
3. Ruotare la manopola del timer sul simbolo ∞.

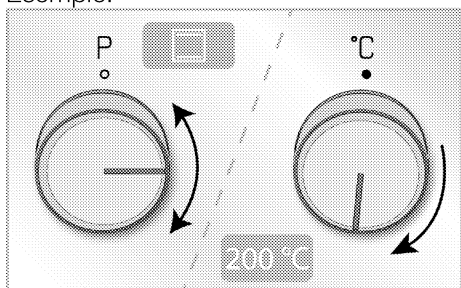


» Il forno inizierà a funzionare immediatamente alla funzione e alla temperatura selezionata e la spia della temperatura si accenderà. Quando la temperatura all'interno del forno raggiunge il livello impostato, la spia della temperatura si spegne. Il forno non si spegne automaticamente dopo l'avvio della cottura. Bisogna controllare la cottura da soli e spegnerlo appositamente. Quando la cottura è completata, è possibile spegnere il forno ruotando la manopola di selezione delle funzioni, la manopola della temperatura e quella del timer in posizione off (su).

Cottura con impostazione del tempo di cottura;

È possibile far spegnere automaticamente il forno alla fine del tempo specificato selezionando la temperatura e la funzione di operatività specifica per i propri alimenti e impostando il tempo di cottura sul timer.

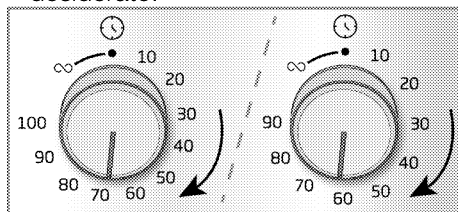
Esempio:



1. Selezionare la funzione operativa con la quale si desidera cuocere con la manopola di selezione delle funzioni.

2. Impostare la temperatura a cui si vuole cuocere con la manopola della temperatura.

3. Ruotare la manopola del timer per cronometrare il tempo di cottura desiderato.



» Il forno inizierà a funzionare immediatamente alla funzione e alla temperatura selezionata e la spia della temperatura si accenderà. Quando la temperatura all'interno del forno raggiunge il livello impostato, la spia della temperatura si spegne.

4. Al termine del tempo di cottura, la manopola del timer ruota automaticamente in senso antiorario. Viene emesso un segnale acustico di avvertimento e il forno si arresta.

5. Quando la cottura è completata, spegnere il forno ruotando la manopola di selezione delle funzioni e la manopola della temperatura in posizione off (su). Se si vuole continuare, ruotare la manopola del timer fino a un certo tempo di cottura. Il forno continua a funzionare alla funzione e alla temperatura impostata.

Per spegnere la cottura prima dell'ora impostata;

1. Ruotare la manopola del timer in senso antiorario fino a raggiungere la posizione off (su).

2. Spegner il forno ruotando la manopola di selezione delle funzioni e la manopola della temperatura in posizione off (su).

6 Informazioni generali sulla cottura

Questa sezione include i consigli per la preparazione e la cottura dei cibi.

Inoltre, è possibile trovare anche alcuni degli alimenti testati dal produttore e le impostazioni più appropriate per questi alimenti. Sono inoltre indicate le impostazioni del forno e gli accessori appropriati per questi alimenti.

Avvertenze generiche sulla cottura in forno

- All'apertura dello sportello del forno durante o dopo la cottura potrebbe fuoriuscire vapore caldo. Il vapore potrebbe provocare bruciature a mani, viso e/o occhi. Quando si apre lo sportello del forno, stare lontano.
- Il vapore intenso generato durante la cottura potrebbe formare delle gocce d'acqua condensata all'interno e all'esterno del forno e sulle parti superiori del mobile a causa della differenza di temperatura. Si tratta di un evento normale e fisico.
- I valori di temperatura e tempo di cottura indicati per i cibi potrebbero variare a seconda della ricetta e della quantità. Per questo motivo, tali valori sono indicati come intervalli.
- Prima di iniziare la cottura, togliere sempre dal forno gli accessori inutilizzati. Gli accessori che rimangono nel forno potrebbero impedire la cottura dei cibi ai valori corretti.
- Per i cibi che saranno cucinati secondo la propria ricetta, fare riferimento a cibi simili indicati nelle tabelle di cottura.
- L'utilizzo degli accessori in dotazione garantisce le migliori prestazioni di cottura. Osservare sempre le avvertenze e le informazioni fornite dal

produttore per le pentole esterne che si utilizzeranno.

- Tagliare la carta oleata che si userà per la cottura in dimensioni adeguate al contenitore da utilizzare. Le carte oleate che traboccano dal contenitore potrebbero creare un rischio di ustioni e influire sulla qualità della cottura. Utilizzare la carta oleata nell'intervallo di temperatura specificato.
- Per una buona prestazione di cottura, collocare i cibi sul ripiano corretto consigliato. Non modificare la posizione del ripiano durante la cottura.

Pasticcini e alimenti da forno

Informazioni di carattere generale

- Per una buona cottura, si consiglia di utilizzare gli accessori del prodotto. Se si ha intenzione di utilizzare una pentola esterna, preferire pentole scure, anti-aderenti e resistenti al calore.
- Se sulla tabella di cottura si consiglia il preriscaldamento, assicurarsi di mettere il cibo nel forno dopo il preriscaldamento.
- Se si deve cucinare con le pentole sul grill a filo, posizionarle al centro del grill a filo, non vicino alla parete posteriore.
- Tutti i materiali utilizzati nella fabbricazione dei dolci devono essere freschi e a temperatura ambiente.
- Lo stato di cottura dei prodotti potrebbe variare a seconda della quantità di cibo e delle dimensioni delle pentole.
- Stampi in metallo, ceramica e vetro prolungano il tempo di cottura e la superficie inferiore della pasticceria non si rosola in modo uniforme.
- Se si utilizza carta da cucina durante la cottura, si potrebbe osservare una leggera doratura sulla superficie

inferiore del cibo. In questo caso, potrebbe essere necessario prolungare il tempo di cottura di circa 10 minuti.

- I valori indicati nelle tabelle di cottura sono determinati in base ai test effettuati nei nostri laboratori. I valori adatti al singolo caso potrebbero differire da questi valori.
- Mettere i propri alimenti sull'apposito ripiano consigliato nella tabella di cottura. Tenere presente che ripiano inferiore del forno è il ripiano 1.

Consigli per la cottura di torte

- Se la torta è troppo secca, aumentare la temperatura di circa 10 °C e diminuire il tempo di cottura.
- Se la torta è umida, utilizzare una piccola quantità di liquido o ridurre la temperatura di 10°C.
- Se la parte superiore della torta è bruciata, metterla su un ripiano inferiore, diminuire la temperatura e aumentare il tempo di cottura.
- Se la torta è ben cotta all'interno ma l'esterno è appiccicoso, utilizzare una

quantità minore di liquido, ridurre la temperatura e aumentare il tempo di cottura.

Consigli per cucinare i pasticcini

- Se l'impasto è troppo secco, aumentare la temperatura di circa 10 °C e diminuire il tempo di cottura. Bagnare le sfoglie di pasta con un intingolo di latte, olio, uova e yogurt.
- Se l'impasto cuoce lentamente, assicurarsi che lo spessore preparato non trabocchi dal vassoio.
- Se l'impasto è dorato in superficie ma il fondo non è cotto, assicurarsi che la quantità di intingolo che userete non sia eccessiva sul fondo. Per una doratura uniforme, provare a spalmare l'intingolo equamente tra le sfoglie e l'impasto.
- Cuocere l'impasto nella posizione e alla temperatura specificata nella tabella di cottura. Se il fondo non è ancora abbastanza dorato, metterlo su un ripiano inferiore per un'ulteriore cottura.

Tabella di cottura per pasticceria e pietanze da forno

Suggerimenti per la cottura con una teglia

Alimento	Accessorio da utilizzare	Funzione operativa	Posizione del ripiano	Temperatura (°C)	Tempo di cottura (min) (ca.)
Torte in vassoio	Vassoio standard*	Riscaldamento superiore e inferiore	3	180	30 ... 40
Torte in stampo	Stampo per torte su grill a filo**	Riscaldamento ventola	2	180	30 ... 40
	Vassoio standard*	Riscaldamento superiore e inferiore	3	160	25 ... 35
Torte di piccole dimensioni	Vassoio standard*	Riscaldamento ventola	Modelli con ripiani in filo metallico: 3 Modelli senza ripiani in filo metallico: 2	150	25 ... 35

Alimento	Accessorio da utilizzare	Funzione operativa	Posizione del ripiano	Temperatura (°C)	Tempo di cottura (min) (ca.)
Pan di Spagna	Stampo per dolci rotondo, diametro 26 cm con morsetto su grill a filo**	Riscaldamento superiore e inferiore	2	160	30 ... 40
	Stampo per dolci rotondo, diametro 26 cm con morsetto su grill a filo**	Riscaldamento ventola	2	160	30 ... 40
Biscotti	Vassoio per pasticceria*	Riscaldamento superiore e inferiore	3	170	25 ... 35
	Vassoio per pasticceria*	Riscaldamento ventola	3	170	20 ... 30
Pasticceria frolla	Vassoio standard*	Riscaldamento a ventola superiore/inferiore	2	200	35 ... 45
	Vassoio standard*	Riscaldamento ventola	2	180	35 ... 45
Pasticceria arricchita	Vassoio standard*	Riscaldamento superiore e inferiore	2	200	20 ... 30
	Vassoio standard*	Riscaldamento ventola	3	180	20 ... 30
Pane integrale	Vassoio standard*	Riscaldamento superiore e inferiore	3	200	30 ... 40
	Vassoio standard*	Riscaldamento ventola	3	200	30 ... 40
Lasagna	Contenitore rettangolare in vetro/metallo su grill**	Riscaldamento superiore e inferiore	2 o 3	200	30 ... 40
Torta di mele	Stampo rotondo in metallo nero, 20 cm di diametro su grill a filo**	Riscaldamento superiore e inferiore	2	180	50 ... 70
	Stampo rotondo in metallo nero, 20 cm di diametro su grill a filo**	Riscaldamento ventola	2	170	50 ... 70
Pizza	Vassoio standard*	Riscaldamento superiore e inferiore	2	200 ... 220	10 ... 20

Il preriscaldamento è raccomandato per tutti gli alimenti.

* Questi accessori potrebbe non essere inclusi nel prodotto.

** Questi accessori non sono inclusi nel prodotto. Sono accessori disponibili in commercio.

Suggerimenti per la cottura con due teglie

Alimento	Accessorio da utilizzare	Funzione operativa	Posizione del ripiano	Temperatura (°C)	Tempo di cottura (min) (ca.)
Torte di piccole dimensioni	2 -Vassoio standard* 4 -Vassoio per pasticceria*	Riscaldamento ventola	2 - 4	Modelli con ripiani in filo metallico: 150 Modelli senza ripiani in filo metallico: 140	Modelli con ripiani in filo metallico: 25 ... 40 Modelli senza ripiani in filo metallico: 30 ... 45
Biscotti	2 -Vassoio standard* 4 -Vassoio per pasticceria*	Riscaldamento ventola	2 - 4	170	25 ... 35
Pasticceria frolla	1 -Vassoio standard* 4 -Vassoio per pasticceria*	Riscaldamento ventola	1 - 4	180	35 ... 45
Pasticceria arricchita	2 -Vassoio standard* 4 -Vassoio per pasticceria*	Riscaldamento ventola	2 - 4	180	20 ... 30

Il preriscaldamento è raccomandato per tutti gli alimenti.

* Questi accessori potrebbe non essere inclusi nel prodotto.

** Questi accessori non sono inclusi nel prodotto. Sono accessori disponibili in commercio.

Carne, pesce e pollame

I punti chiave della tostatura

- Prima di cucinarli, il condimento con succo di limone e pepe aumenterà il risultato della cottura di pollo, tacchino e grossi pezzi di carne.
- Per cuocere la carne disossata ci vogliono dai 15 ai 30 minuti in più rispetto al cottura del filetto in padella.
- Si dovrebbero calcolare circa 4-5 minuti di tempo di cottura per centimetro di spessore della carne.
- Terminata la cottura, lasciare la carne in forno per circa 10 minuti. Il succo della carne è meglio distribuito alla carne fritta e non esce quando la carne viene tagliata.
- Il pesce dovrebbe essere collocato su un ripiano di medio o basso livello in un piatto resistente al calore.
- Cuocere i cibi consigliati nella tabella di cottura con un'unica teglia.

Tabella di cottura per carne, pesce e pollame

Alimento	Accessorio da utilizzare	Funzione operativa	Posizione del ripiano	Temperatura (°C)	Tempo di cottura (min) (ca.)
Bistecca (intera)/Arrosti (1 kg)	Vassoio standard*	Riscaldamento a ventola superiore/inferiore	3	15 min. 250/max, poi 180 ... 190	60 ... 80
Stinco di agnello (1.5 - 2.0 kg)	Vassoio standard*	Riscaldamento a ventola superiore/inferiore	3	15 min. 250/max, poi 170	110 ... 120
Pollo arrosto (1.8-2 kg)	Grill a filo* Mettere un vassoio sul ripiano inferiore	Riscaldamento a ventola superiore/inferiore	2	15 min. 250/max, poi 190	60 ... 80

Alimento	Accessorio da utilizzare	Funzione operativa	Posizione del ripiano	Temperatura (°C)	Tempo di cottura (min) (ca.)
	Grill a filo* Mettere un vassoio sul ripiano inferiore	Riscaldamento ventola	2	200 ... 220	60 ... 80
	Grill a filo* Mettere un vassoio sul ripiano inferiore	"Funzione" 3D	2	15 min. 250/max, poi 190	60 ... 80
Turchia (5.5 kg)	Vassoio standard* Mettere un vassoio sul ripiano inferiore	Riscaldamento a ventola superiore/inferiore	1	25 min. 250/max, poi 180 ... 190	150 ... 210
	Vassoio standard* Mettere un vassoio sul ripiano inferiore	"Funzione" 3D	1	25 min. 250/max, poi 180 ... 190	150 ... 210
Pesce	Grill a filo* Mettere un vassoio sul ripiano inferiore	Riscaldamento a ventola superiore/inferiore	3	200	20 ... 30
	Grill a filo* Mettere un vassoio sul ripiano inferiore	"Funzione" 3D	3	200	20 ... 30

Il preriscaldamento è raccomandato per tutti gli alimenti.

* Questi accessori potrebbe non essere inclusi nel prodotto.

** Questi accessori non sono inclusi nel prodotto. Sono accessori disponibili in commercio.

Grill

Quando vengono grigliati, la carne rossa, il pesce e la carne di pollame diventano rapidamente marroni, mantengono una bella crosta e non si asciugano. Carni di filetto, spiedini, salsicce e verdure succose (pomodori, cipolle, ecc.) sono particolarmente adatti per la cottura al grill.

Avvertenze generali

- Gli alimenti non adatti alla cottura al grill determinano un rischio di incendio. Grigliare solo cibi adatti alla cottura al grill. Inoltre, non mettere il cibo troppo in fondo (internamente) al grill. Questa è la zona più calda e i cibi grassi potrebbero prendere fuoco.
- **Durante la cottura alla griglia, chiudere lo sportello del forno. Non grigliare mai con lo sportello del forno aperto. Le superfici calde possono causare ustioni!**

I punti chiave della cottura al grill

- Preparare alimenti di spessore e peso il più possibile simili fra loro.
- Posizionare i pezzi da grigliare sul grill a filo o sul vassoio del grill a filo distribuendoli senza superare le dimensioni del riscaldatore.
- A seconda dello spessore dei pezzi da grigliare, i tempi di cottura indicati in tabella potrebbero variare.
- Far scorrere il grill a filo o il vassoio del grill a filo nel forno fino al livello desiderato. Se si sta cucinando sul grill a filo, far scorrere il vassoio da forno sul ripiano inferiore per raccogliere gli oli. Il vassoio da forno che si intende far scorrere deve essere dimensionato in modo da coprire l'intera area del grill. Tale vassoio da forno potrebbe non essere incluso nel prodotto. Per una facile pulizia mettere un po' d'acqua nel vassoio da forno.

Tabella per il grill

Alimento	Accessorio da utilizzare	Posizione del ripiano	Temperatura (°C)	Tempo di cottura (min) (ca.)
Pesce	Grill a filo	4 - 5	250	20 ... 25
Pezzi di pollo	Grill a filo	4 - 5	250	25 ... 35
Polpette di carne (manzo) - 12 pezzi	Grill a filo	4	250	20 ... 30
Costoletta di agnello	Grill a filo	4 - 5	250	20 ... 25
Bistecca - (affettato)	Grill a filo	4 - 5	250	25 ... 30
Costoletta di vitello	Grill a filo	4 - 5	250	25 ... 30
Verdure gratinate	Grill a filo	4 - 5	220	20 ... 30
Pane tostato	Grill a filo	4	250	1 ... 4

Si consiglia di preriscaldare per 5 minuti tutti i cibi da grigliare.

Girare i pezzi di cibo dopo 1/2 del tempo totale di cottura al grill.

Grill basso a ventola

Alimento	Accessorio da utilizzare	Funzione operativa	Posizione del ripiano	Temperatura (°C)	Tempo di cottura (min) (ca.)
Pesce	Grill a filo	Grill basso a ventola	4	200	30 ... 35
Pezzi di pollo	Grill a filo	Grill basso a ventola	4	250	25 ... 35
Polpette di carne (manzo) - 12 pezzi	Grill a filo	Grill basso a ventola	4	250	30 ... 40
Bistecca (intera)/Arrosto (1 kg)	Grill a filo Mettere un vassoio sul ripiano inferiore	Grill basso a ventola	3	15 min. 250, poi 180 ... 190	90 ... 110

Non preriscaldare tutti i cibi grigliati presenti in questa tabella del grill.

Alimenti di prova

- Gli alimenti di questa tabella di cottura sono preparati secondo la norma EN

60350-1 per facilitare i test del prodotto effettuati per gli istituti di controllo.

Tabella di cottura per alimenti di prova

Suggerimenti per la cottura con una teglia

Alimento	Accessorio da utilizzare	Funzione operativa	Posizione del ripiano	Temperatura (°C)	Tempo di cottura (min) (ca.)
	Vassoio standard*	Riscaldamento superiore e inferiore	3	140	20 ... 30
Shortbread (biscotto dolce)	Vassoio standard*	Riscaldamento ventola	Modelli con ripiani in filo metallico: 3 Modelli senza ripiani in filo metallico: 2	140	15 ... 25
Torte di piccole dimensioni	Vassoio standard*	Riscaldamento superiore e inferiore	3	160	25 ... 35

Alimento	Accessorio da utilizzare	Funzione operativa	Posizione del ripiano	Temperatura (°C)	Tempo di cottura (min) (ca.)
	Vassoio standard*	Riscaldamento ventola		150	25 ... 35
			Modelli con ripiani in filo metallico: 3 Modelli senza ripiani in filo metallico: 2		
Pan di Spagna	Stampo per dolci rotondo, diametro 26 cm con morsetto su grill a filo**	Riscaldamento superiore e inferiore	2	160	30 ... 40
	Stampo per dolci rotondo, diametro 26 cm con morsetto su grill a filo**	Riscaldamento ventola	2	160	30 ... 40
Torta di mele	Stampo rotondo in metallo nero, 20 cm di diametro su grill a filo**	Riscaldamento superiore e inferiore	2	180	50 ... 70
	Stampo rotondo in metallo nero, 20 cm di diametro su grill a filo**	Riscaldamento ventola	2	170	50 ... 70

Il preriscaldamento è raccomandato per tutti gli alimenti.

* Questi accessori potrebbe non essere inclusi nel prodotto.

** Questi accessori non sono inclusi nel prodotto. Sono accessori disponibili in commercio.

Suggerimenti per la cottura con due teglie

Alimento	Accessorio da utilizzare	Funzione operativa	Posizione del ripiano	Temperatura (°C)	Tempo di cottura (min) (ca.)
Shortbread (biscotto dolce)	2-Vassoio standard* 4-Vassoio per pasticceria*	Riscaldamento ventola	2 - 4	140	15 ... 25
Torte di piccole dimensioni	2-Vassoio standard* 4-Vassoio per pasticceria*	Riscaldamento ventola	2 - 4	Modelli con ripiani in filo metallico: 150 Modelli senza ripiani in filo metallico: 140	Modelli con ripiani in filo metallico: 25 ... 40 Modelli senza ripiani in filo metallico: 30 ... 45

Il preriscaldamento è raccomandato per tutti gli alimenti.

* Questi accessori potrebbe non essere inclusi nel prodotto.

** Questi accessori non sono inclusi nel prodotto. Sono accessori disponibili in commercio.

Grill

Alimento	Accessorio da utilizzare	Posizione del ripiano	Temperatura (°C)	Tempo di cottura (min) (ca.)
Pane tostato	Grill a filo	4	250	1 ... 4
Polpette di carne (manzo) - 12 pezzi	Grill a filo	4	250	20 ... 30

Girare il cibo dopo 1/2 del tempo totale di cottura al grill.

Si consiglia di preriscaldare per 5 minuti tutti i cibi da grigliare.

7 Manutenzione e cura

Informazioni generiche per la pulizia

⚠ Avvertenze generali

- Attendere che il prodotto si raffreddi prima di pulirlo. Le superfici calde possono causare ustioni!
- Non applicare i detergenti direttamente sulle superfici calde. Ciò potrebbe causare macchie permanenti.
- L'apparecchio deve essere pulito e asciugato accuratamente dopo ogni uso. In questo modo i residui di cibo possono essere puliti facilmente e non si bruceranno quando l'apparecchio verrà riutilizzato in un secondo momento. In questo modo, la durata dell'apparecchio si prolunga e i problemi che si presenterebbero di frequente si riducono.
- Non usare pulitori a vapore per pulire il forno.
- Alcuni detergenti o agenti pulenti possono danneggiare la superficie. Non utilizzare detergenti abrasivi, polveri detergenti, creme detergenti, disincrostanti o oggetti appuntiti durante la pulizia.
- Non è necessario un detergente speciale per la pulizia dopo ogni utilizzo. Pulire l'apparecchio con sapone per piatti, acqua calda e un panno morbido o una spugna e asciugarlo con un panno in microfibra asciutto.
- Assicurarsi di pulire completamente il liquido rimasto dopo la pulizia e di pulire immediatamente gli eventuali schizzi di cibo creati durante la cottura.
- Non lavare alcun componente dell'apparecchio in lavastoviglie.

Superfici in acciaio inox e inox

- Per pulire superfici e maniglie in acciaio inox o inossidabile non utilizzare detergenti contenenti acido o cloro.
- Le superfici in acciaio inox o acciaio possono cambiare colore nel tempo. Non si tratta di un'anomalia di funzionamento. Dopo ogni uso, pulire con un detergente adatto alla superficie inox o in acciaio.
- Pulire con un panno morbido e sapone e con un detergente liquido (antigraffio) adatto alle superfici in acciaio inox, avendo cura di pulire in una sola direzione.
- Rimuovere immediatamente e senza aspettare le macchie di calcare, olio, amido, latte e proteine sulle superfici in acciaio inox e vetro. Le macchie potrebbero arrugginire dopo lunghi periodi di tempo.

Superfici smaltate

- Dopo ogni utilizzo, pulire le superfici smaltate con detersivo per piatti, acqua calda e un panno morbido o una spugna e asciugarle con un panno asciutto.
- Se il prodotto dispone di una funzione di pulizia a vapore facile, è possibile effettuarla per lo sporco leggero non permanente. (Vedere la sezione "Pulizia a vapore facile")
- Per le macchie più ostinate, si può usare il detergente per forno e griglia consigliato sul sito web della marca del prodotto e una spugnetta paglietta in lana d'acciaio anti-graffio. Non usare detergenti per forni esterni.
- Prima di effettuare la pulizia, l'area di cottura di cottura del forno deve raffreddarsi. La pulizia su superfici

calde creerà sia pericolo di incendio che di danni alla superficie smaltata.

Superfici catalitiche

- Le pareti laterali dell'area di cottura possono essere rivestite solo con smalto o pareti catalitiche. Varia a seconda del modello.
- Le pareti catalitiche hanno una superficie opaca e porosa. Le pareti catalitiche del forno non devono essere pulite.
- Le superfici catalitiche assorbono l'olio grazie alla struttura porosa e cominciano a brillare quando la superficie è satura di olio, in questo caso si consiglia di sostituire le parti.

Superfici in vetro

- Per la pulizia delle superfici in vetro non utilizzare raschietti in metallo duro e materiali abrasivi. Possono danneggiare la superficie del vetro.
- Pulire l'apparecchio con detersivo per piatti, acqua calda e un panno in microfibra specifico per le superfici in vetro e asciugarlo con un panno in microfibra asciutto.
- Se dopo la pulizia ci sono residui di detersivo, strofinare con acqua fredda e asciugare con un panno in microfibra pulito e asciutto. I residui di detersivo potrebbero ulteriormente danneggiare la superficie del vetro.
- In nessun caso i residui essiccati sulla superficie del vetro devono essere rimossi con coltelli seghettati, lana metallica o simili strumenti da graffio.
- È possibile rimuovere le macchie di calcio (macchie gialle) sulla superficie del vetro con il decalcificante disponibile in commercio, oppure con un agente decalcificante come l'aceto o il succo di limone.
- Se la superficie è molto sporca, applicare il detergente sulla macchia con una spugna e attendere a lungo

che agisca correttamente. Pulire quindi la superficie in vetro con un panno bagnato.

- Gli scolorimenti e le macchie sulla superficie del vetro sono normali e non sono difetti.

Parti in plastica e superfici verniciate

- Pulire le superfici smaltate con detersivo per piatti, acqua calda e un panno morbido o una spugna e asciugarle con un panno asciutto.
- Non utilizzare raschietti in metallo duro e detersivi abrasivi. Ciò potrebbe danneggiare le superfici.
- Assicurarsi che le giunture dei componenti dell'apparecchio non siano lasciate umide e sporche di detersivo. In caso contrario, su queste giunture possono verificarsi delle corrosioni.

Pulizia degli accessori

Se non diversamente indicato nel manuale d'uso, non lavare gli accessori del prodotto in lavastoviglie.

Pulizia del pannello di controllo

- Quando si puliscono i pannelli con manopole, pulire il pannello e le manopole con un panno morbido umido e asciugare con un panno asciutto. Non rimuovere le manopole e le guarnizioni sottostanti per pulire il pannello. Il pannello e le manopole potrebbero danneggiarsi.
- Durante la pulizia dei pannelli in acciaio inox con manopola, non usare detersivi per acciaio inox intorno alle manopole. Gli indicatori intorno alle manopole potrebbero cancellarsi.
- Pulire i pannelli di controllo a sfioramento (touch) con un panno morbido umido e asciugare con un panno asciutto. Se il prodotto è dotato

di una funzione di blocco tasti, prima di eseguire la pulizia del pannello di controllo impostare il blocco tasti. In caso contrario, i tasti potrebbero essere involontariamente pigiati.

Pulizia dell'interno del forno (area di cottura)

A seconda del tipo di superficie del forno, seguire le fasi di pulizia descritte nella sezione "Informazioni generali sulla pulizia".

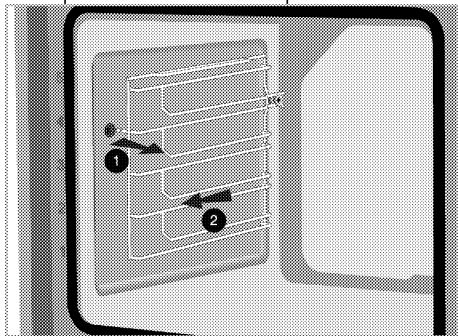
Pulizia delle pareti laterali del forno

Le pareti laterali dell'area di cottura possono essere rivestite solo con smalto o pareti catalitiche. Varia a seconda del modello. Se il forno presenta una parete catalitica, consultare la sezione "Pareti catalitiche" per informazioni.

Se il forno è un modello con ripiani in filo metallico, prima di pulire le pareti laterali, rimuovere i ripiani in filo metallico. A seconda del tipo di superficie del forno, completare quindi la pulizia come descritto nella sezione "Informazioni generali sulla pulizia".

Per rimuovere i ripiani laterali in filo metallico:

1. Rimuovere la parte anteriore del ripiano in filo metallico tirandolo sulla parete laterale in direzione opposta.
2. Tirare il ripiano in filo metallico verso di sé per rimuoverlo completamente.



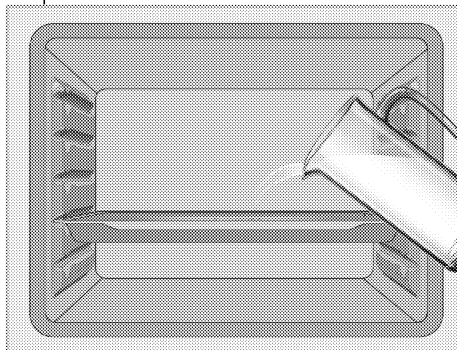
3. Per riattaccare i ripiani, le procedure applicate per la sua rimozione devono essere ripetute però in ordine inverso.

Pulizia a vapore facile

Varia a seconda del modello di forno. Potrebbe non essere disponibile sul proprio prodotto.

Garantisce una pulizia facile perché lo sporco (purché non si aspetti troppo) viene ammorbidito dal vapore che si forma all'interno del forno e le gocce d'acqua si condensano sulle sue superfici interne.

1. Rimuovere tutti gli accessori presenti all'interno del forno.
2. Versare 500 ml di acqua nel vassoio da forno e posizionarlo sul secondo ripiano.

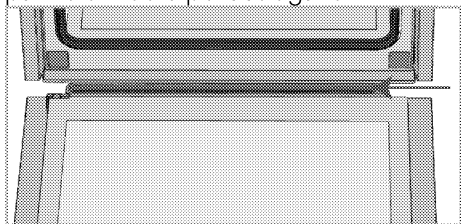


3. Impostare il forno in modalità di facile pulizia a vapore e far funzionare a 100°C per 15 minuti.

Aprire immediatamente lo sportello e pulire le superfici interne del forno con una spugna o un panno umido. All'apertura dello sportello, il vapore fuoriesce. Questo può creare un rischio di bruciature. Fare attenzione quando si apre lo sportello del forno. Per pulire lo sporco persistente, utilizzare acqua calda con del detersivo, un panno morbido o una spugna e strofinare con un panno asciutto.

i Durante la modalità di pulizia a vapore facile, l'acqua che si trova nella piscina alla base del forno per ammorbidire i residui / lo sporco leggermente formati all'interno della cavità del forno evaporerà e condenserà nella cavità del forno e nel vetro interno della porta del forno, quindi l'acqua potrebbe gocciolare all'apertura della porta del forno. Eliminare la condensa non appena si apre la porta del forno.

Varia a seconda del modello di forno. Potrebbe non essere disponibile sul proprio prodotto. Oltre alla condensa formata nel forno, potrebbe esserci acqua o umidità nel canale della vaschetta sotto il forno. Dopo l'uso, pulire questo canale della piscina con un panno umido e poi asciugarlo.



Pulizia dello sportello del forno

i Per pulire lo sportello del forno e il vetro, non utilizzare detergenti abrasivi aggressivi, raschietti metallici, pagliette d'acciaio o candeggina.

Per pulirli, è possibile rimuovere lo sportello del forno e i vetri dello sportello. Come rimuovere le porte e le finestre è spiegato nelle sezioni "Rimozione dello sportello del forno" e "Rimozione dei vetri interni dello sportello". Dopo aver rimosso i vetri interni dello sportello, pulirli con detersivo per piatti, acqua

calda e un panno morbido o una spugna e asciugare con un panno asciutto. Asciugare il vetro con l'aceto e poi sciacquarlo dai eventuali residui di calcare che si possono trovare sul vetro del forno.

Rimozione dello sportello del forno

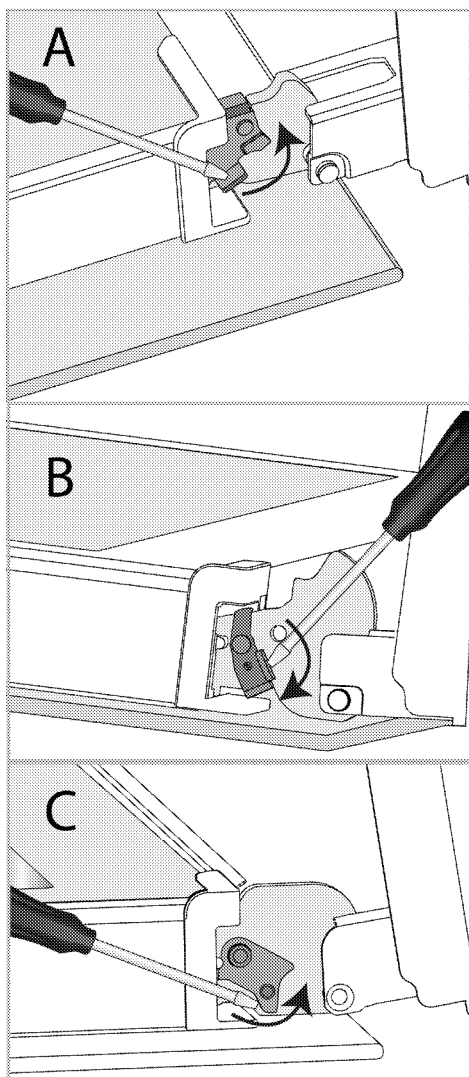
1. Aprire lo sportello del forno.
2. Aprire le clip nella cavità della cerniera dello sportello anteriore a destra e a sinistra premendo verso il basso come mostrato in figura.

Il tipo di cerniera (A), (B), (C) varia a seconda del modello del prodotto. Le figure seguenti mostrano come aprire tutti i tipi di cerniera.

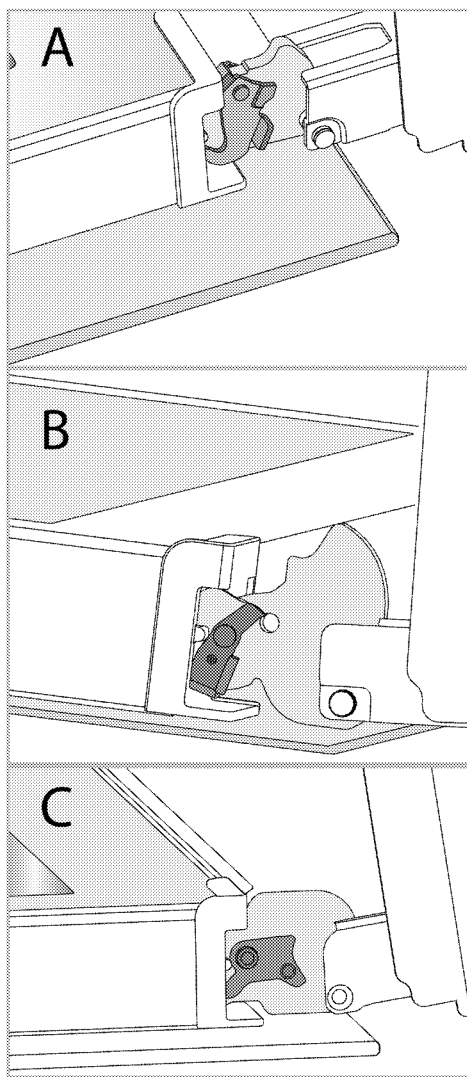
La cerniera di tipo (A) è disponibile nei tipi di porte normali.

La cerniera del tipo (B) è disponibile nei tipi di porta a chiusura ammortizzata.

La cerniera del tipo (C) è disponibile nei tipi di porta ad apertura / chiusura morbida.

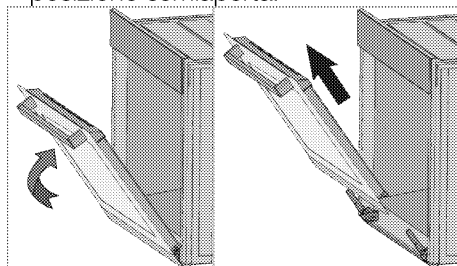


Serratura a cerniera - posizione chiusa



Serratura a cerniera - posizione aperta

3. Mettere lo sportello del forno in posizione semiaperta.



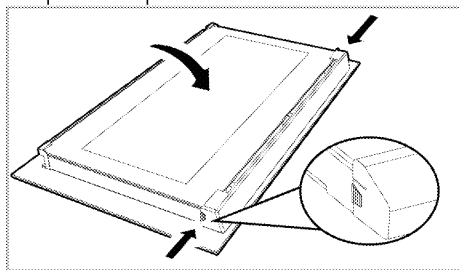
4. Tirare lo sportello rimosso verso l'alto per sganciarlo dalle cerniere di destra e di sinistra e rimuoverlo.

i Per riattaccare lo sportello, le procedure applicate per la sua rimozione devono essere ripetute, però in ordine inverso. Durante l'installazione dello sportello, assicurarsi di chiudere le clip sulla cavità della cerniera.

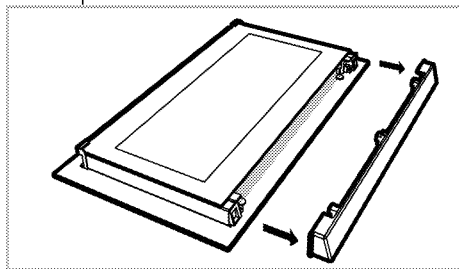
Rimozione del vetro interno dello sportello del forno

Il vetro interno dello sportello anteriore del forno può essere rimosso per la pulizia.

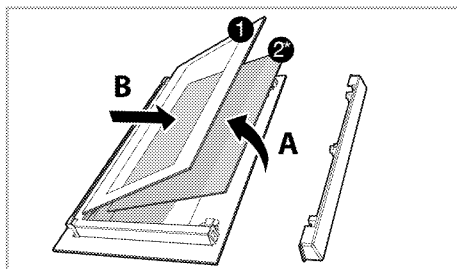
1. Aprire lo sportello del forno.



2. Tirare verso di sé il componente in plastica, fissato sulla parte superiore dello sportello anteriore, premendo contemporaneamente sui punti di pressione su entrambi i lati del componente e rimuoverlo.



3. Come mostrato in figura, sollevare delicatamente il vetro più interno (1) verso 'A' e poi rimuoverlo tirando verso 'B'.



1 Pannello in vetro più interno

2* Pannello in vetro interno (Potrebbe non esserci sul proprio prodotto.)

4. Se il prodotto ha un vetro interno (2), ripetere lo stesso processo per staccarlo (2).

5. Il primo passo per risistemare lo sportello è quello di rimontare il vetro interno (2). Posizionare il bordo smussato del vetro in modo da incontrare il bordo smussato della fessura in plastica. (Se il prodotto ha un vetro interno). Il vetro interno (2) deve essere fissato alla fessura di plastica più vicina al vetro più interno (1).

6. Nel rimontare il vetro più interno (1), fare attenzione a posizionare il lato stampato del vetro sul vetro interno. È fondamentale posizionare gli angoli inferiori del vetro più interno perché coincidano con le fessure inferiori in plastica.

7. Spingere il componente in plastica verso il frame fino a quando non si sente un "click".

Pulizia della lampada del forno

Nel caso in cui lo sportello in vetro della lampada del forno nell'area di cottura si sporchi, pulire con detersivo per piatti, acqua calda e un panno morbido o una spugna e asciugare con un panno asciutto. In caso di guasto della

lampada del forno, è possibile sostituirla seguendo le sezioni che seguono.

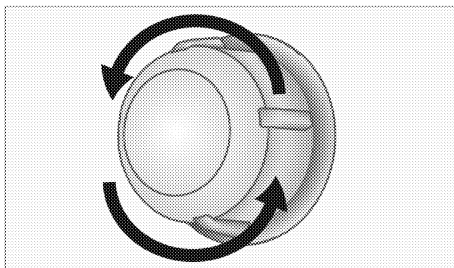
Sostituzione della lampada del forno

⚠ Avvertenze generali

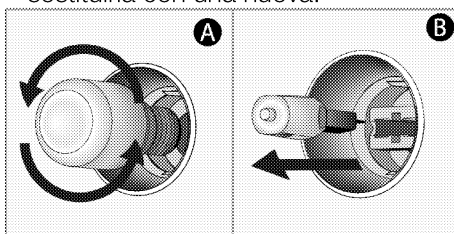
- Per evitare il rischio di scosse elettriche prima di sostituire la lampada del forno, scollegare il connettore elettrico e attendere che il forno si raffreddi. Le superfici calde possono causare ustioni!
- In questo forno viene utilizzata una lampada ad incandescenza con potenza inferiore a 40 W, altezza inferiore a 60 mm, diametro inferiore a 30 mm o lampada alogena con attacco tipo G9, potenza inferiore a 60 W. Le lampade sono adatte al funzionamento a temperature superiori a 300 °C. Le lampade del forno possono essere richieste agli Agenti di servizio autorizzati o ai tecnici muniti di licenza.
- La posizione della lampada potrebbe differire da quella indicata in figura.
- La lampada utilizzata in questo prodotto non è adatta per l'illuminazione di ambienti domestici. Lo scopo della lampada è quello di aiutare l'utente a vedere gli alimenti inseriti.
- Le lampade utilizzate in questo prodotto devono resistere a condizioni fisiche estreme come temperature superiori a 50°C.

Se il forno è provvisto di una lampada rotonda,

1. Scollegare il prodotto dalla rete elettrica.
2. Rimuovere il coperchio di vetro ruotandolo in senso antiorario.



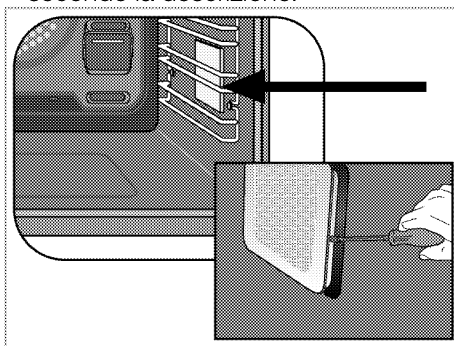
3. Se la lampada del forno è del tipo (A), come mostrato in figura, ruotare la lampada come mostrato in figura e sostituirla con una nuova. Se è del tipo (B), estrarla come mostrato in figura e sostituirla con una nuova.



4. Rimontare il coperchio di vetro.

Se il forno è provvisto di una lampada quadrata,

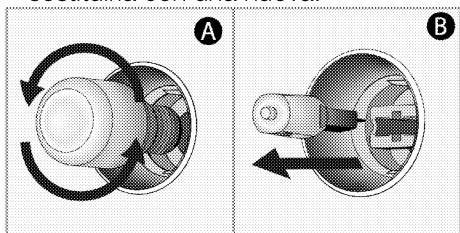
1. Scollegare il prodotto dalla rete elettrica.
2. Rimuovere i ripiani in filo metallico secondo la descrizione.



3. Sollevare il coperchio di protezione in vetro della lampada con un cacciavite.
4. Se la lampada del forno è del tipo (A), come mostrato in figura, ruotare la lampada come mostrato in figura e

sostituirla con una nuova. Se è del tipo (B), estrarla come mostrato in figura e sostituirla con una nuova.

5. Rimontare il coperchio di vetro e i ripiani in filo metallico.



8 Risoluzione dei problemi

Se non si riesce a risolvere il problema anche se si sono applicate le istruzioni di questa sezione, consultare l'Agente per l'assistenza autorizzato o un tecnico con licenza o il rivenditore presso il quale è stato acquistato il prodotto. Non provare mai a riparare autonomamente il prodotto difettoso.

Quando è in uso il forno emette del vapore.

- Ciò è assolutamente normale. >>>*Non vuol dire che c'è un guasto.*

Durante la cottura possono formarsi delle goccioline d'acqua.

- Quando viene a contatto con le superfici fredde del prodotto, il vapore che si forma durante la cottura può condensarsi e formare goccioline d'acqua. >>>*Non vuol dire che c'è un guasto.*

Durante il riscaldamento e il raffreddamento il prodotto emette rumori metallici.

- Quando le parti metalliche vengono riscaldate, possono infatti espandersi e causare rumore. >>>*Non vuol dire che c'è un guasto.*

Il prodotto non funziona.

- Il fusibile di rete è difettoso o è bloccato. >>> *Controllare i fusibili nella scatola dei fusibili. Se necessario, sostituirli o ripristinarli.*
- Il prodotto non è collegato alla presa (messa a terra). >>>*Controllare la connessione di alimentazione.*
- I pulsanti/manopole/tasti del pannello di controllo non funzionano. >>> *Se il prodotto è dotato di funzione di blocco tasti, il blocco tasti potrebbe essere stato attivato. Si prega di disattivarlo.*

La luce del forno non funziona.

- La lampada del forno è difettosa. >>>*Sostituire la lampada del forno.*
- La corrente d'alimentazione è interrotta. >>> *Controllare se c'è corrente. Controllare i fusibili all'interno della scatola fusibili. Se necessario, sostituirli o ripristinarli.*

Il forno non si scalda.

- Potrebbe non essere impostato su una determinata funzione di cottura e/o temperatura. >>> *Impostare il forno su una determinata funzione di cottura e/o temperatura.*
- La corrente d'alimentazione è interrotta. >>> *Controllare se c'è corrente. Controllare i fusibili all'interno della scatola fusibili. Se necessario, sostituirli o ripristinarli.*

